

AXOR ShowerSolutions
Showerhead 250 2-Jet with Ceiling Connection, 2.5 GPM
 Finish: **chrome** Part no. : **35297001**



Description

Features

- Consists of: Showerhead, ceiling connector
- Shower head size: 9⁷/₈"
- Spray modes: PowderRain, Intense PowderRain
- Max. flow: 2.5 GPM (9.5 L/Min)
- Adjustment with shift on thermostat
- dynamic spray nozzles move out while using
- Showerhead removable for cleaning
- ServiceCard with sieve can be removed without tools for cleaning purpose
- Connection type: Rough

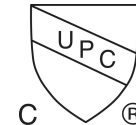
Item details

List Price \$ 1,727.00

Technology



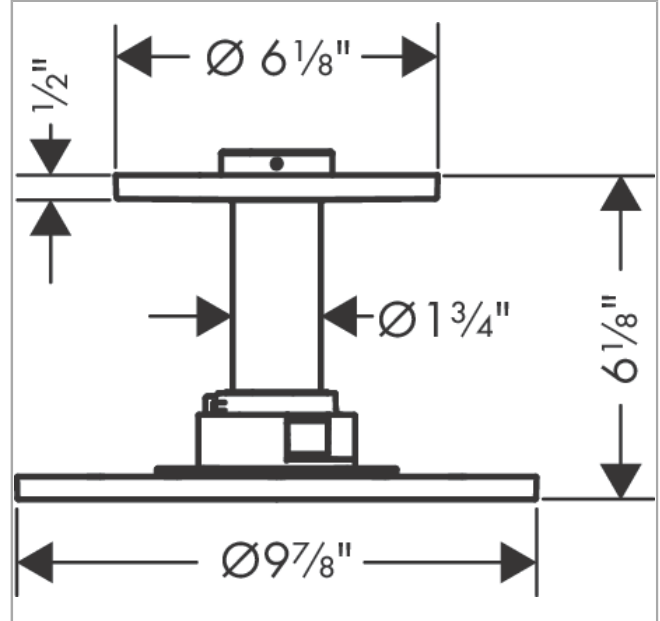
Compliance / Sustainability



Product image



Scale drawing

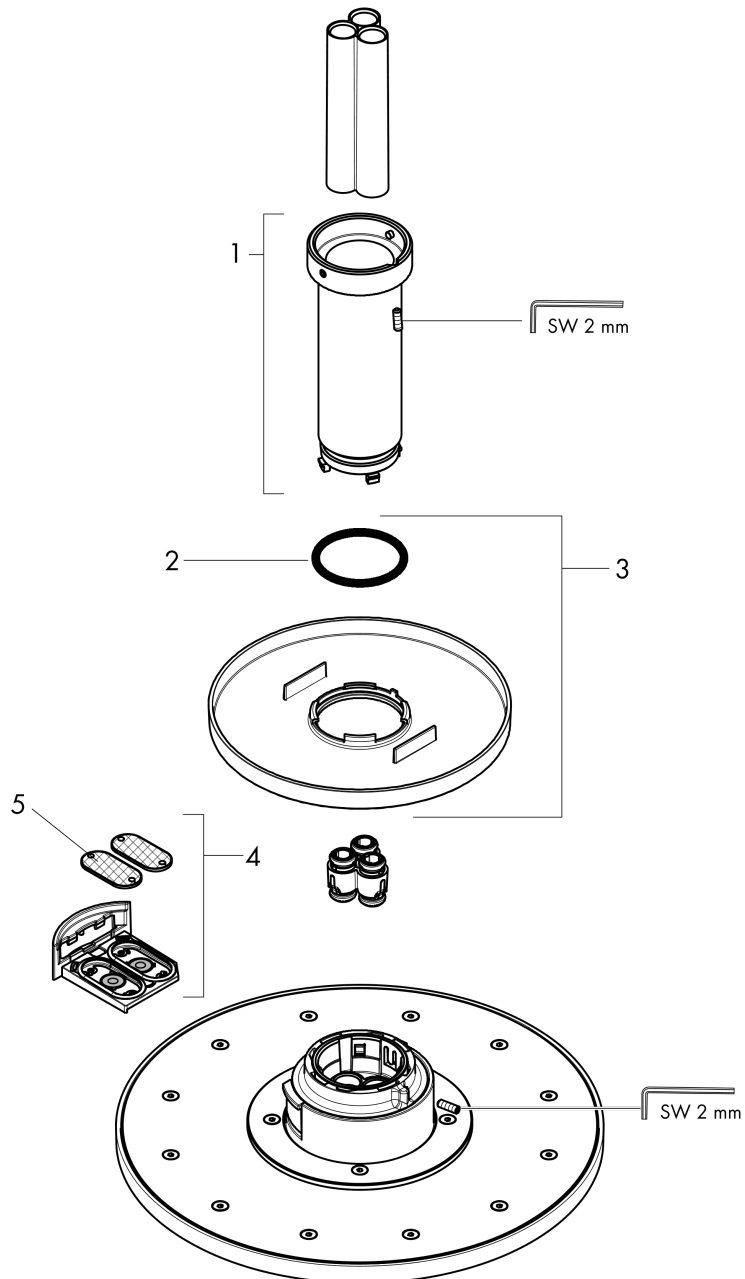


AXOR ShowerSolutions
Showerhead 250 2-Jet with Ceiling Connection, 2.5 GPM
 Finish: **chrome** Part no. : **35297001**



Exploded drawing

Year of production: >07/21



AXOR ShowerSolutions
Showerhead 250 2-Jet with Ceiling Connection, 2.5 GPM
 Finish: **chrome** Part no. : **35297001**



Spare parts list

Year of production: >07/21

| Pos. | Description | Part no. | Price | PU |
|------|---------------|----------|-------|----|
| 1 | sleeve | 92709000 | - | 1 |
| 2 | O-ring 42x3,5 | 92708000 | - | 1 |
| 3 | escutcheon | 93420000 | - | 1 |
| 4 | filter | 93402000 | - | 1 |
| 5 | service unit | 93423001 | - | 1 |