

**AXOR ShowerSolutions**  
**Showerarm 9" softsquare**  
 Finish: **chrome** Part no. : **26968001**



**Description**

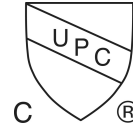
**Features**

- Length: 9"
- Brass
- Connection type: 1/2" NPT
- Showerarm, Escutcheon, Mounting Material, Assembly instructions

**Item details**

List Price \$ 201.00

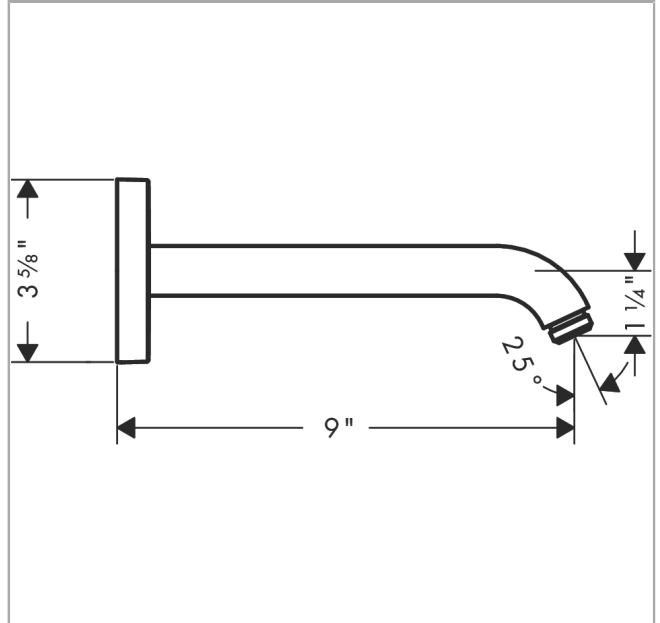
**Compliance / Sustainability**



**Product image**



**Scale drawing**

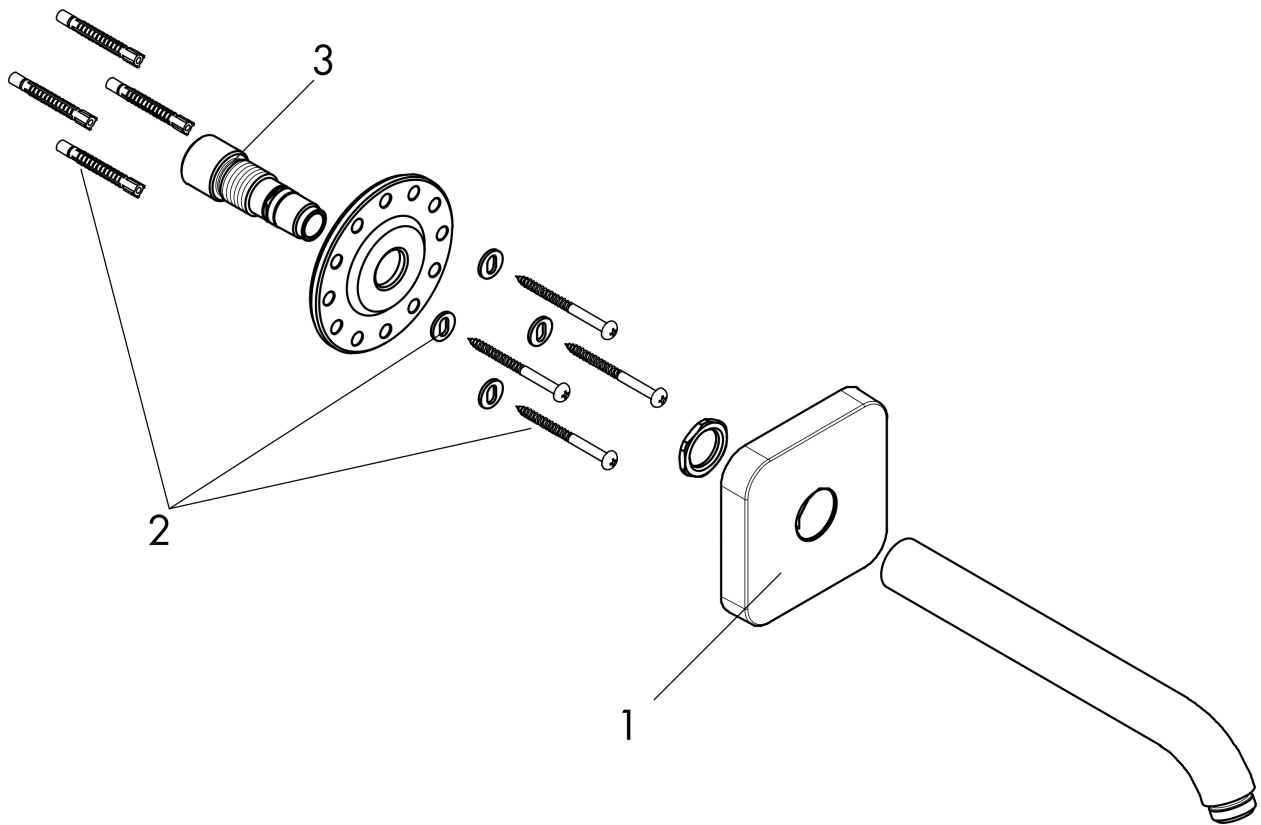


**AXOR ShowerSolutions**  
**Showerarm 9" softsquare**  
 Finish: **chrome** Part no. : **26968001**



Exploded drawing

Year of production: >07/22



**AXOR ShowerSolutions**  
**Showerarm 9" softsquare**  
 Finish: **chrome** Part no. : **26968001**



**Spare parts list**

Year of production: >07/22

Pos.	Description	Part no.	Price	PU
1	escutcheon	94581000	-	1
2	mounting set	96179000	-	1
3	O-ring 14x2	98129000	-	1