

**AXOR ShowerSolutions**  
**Extension Pipe for Ceiling Mount, SoftSquare - 4"**  
 Finish: **chrome** Part no. : **26965001**



**Description**

**Features**

- Length: 3.93"
- Brass
- Connection type: 1/2" NPT
- Ceiling connector, Escutcheon, Mounting Material, Assembly instructions

**Item details**

List Price \$ 177.00

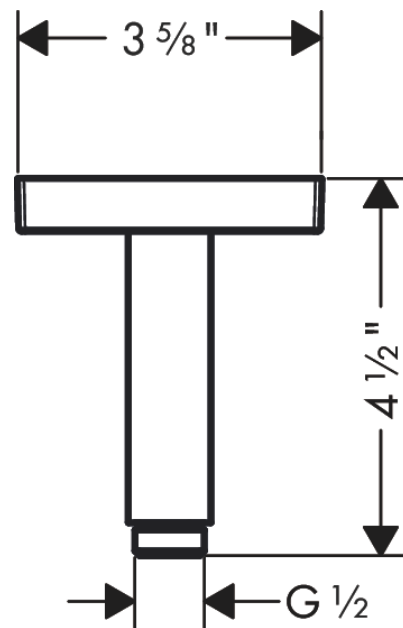
**Compliance / Sustainability**



**Product image**



**Scale drawing**

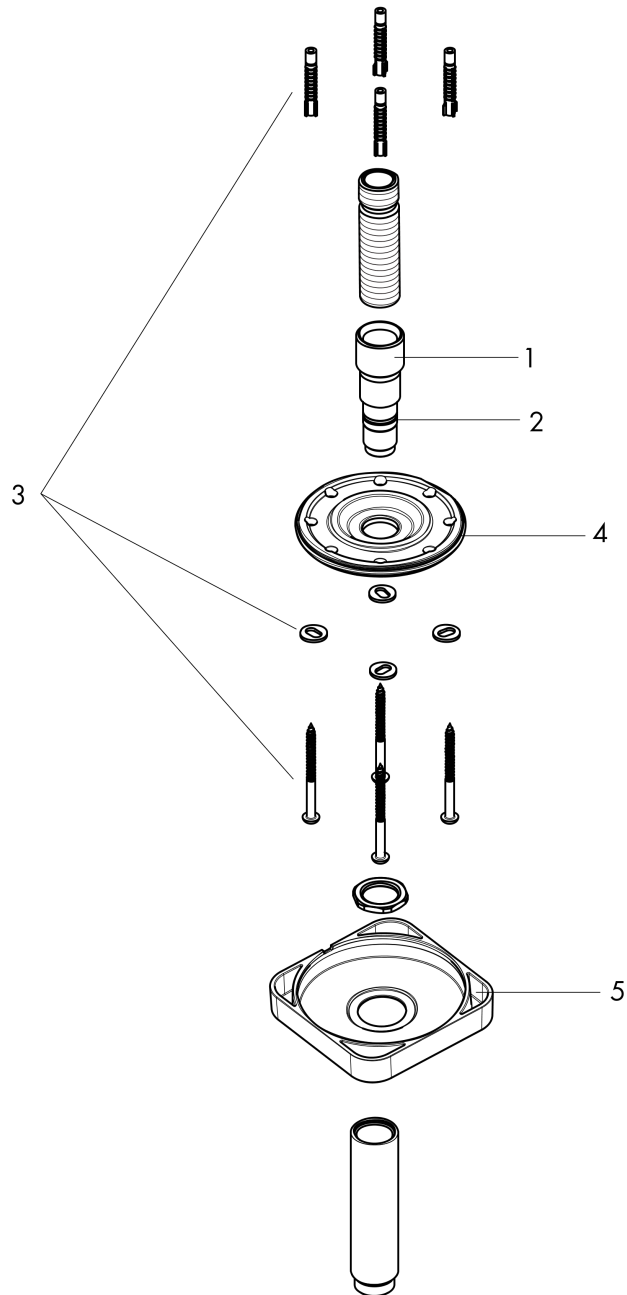


**AXOR ShowerSolutions**  
**Extension Pipe for Ceiling Mount, SoftSquare - 4"**  
Finish: **chrome** Part no. : **26965001**



Exploded drawing

Year of production: >07/22



**AXOR ShowerSolutions**  
**Extension Pipe for Ceiling Mount, SoftSquare - 4"**  
 Finish: **chrome** Part no. : **26965001**



**Spare parts list**

Year of production: >07/22

| Pos. | Description  | Part no. | Price | PU |
|------|--------------|----------|-------|----|
| 2    | O-ring 14x2  | 98129000 | -     | 1  |
| 3    | mounting set | 96179000 | -     | 1  |
| 5    | escutcheon   | 94581000 | -     | 1  |