

**AXOR ShowerSolutions**  
**Extension Pipe for Ceiling Mount, Square- 4"**  
 Finish: **chrome** Part no. : **26437001**



**Description**

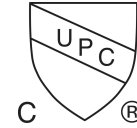
**Features**

- Length: 3.93"
- Brass
- Connection type: 1/2" NPT
- Ceiling connector, Escutcheon, Mounting Material, Assembly instructions

**Item details**

List Price \$ 177.00

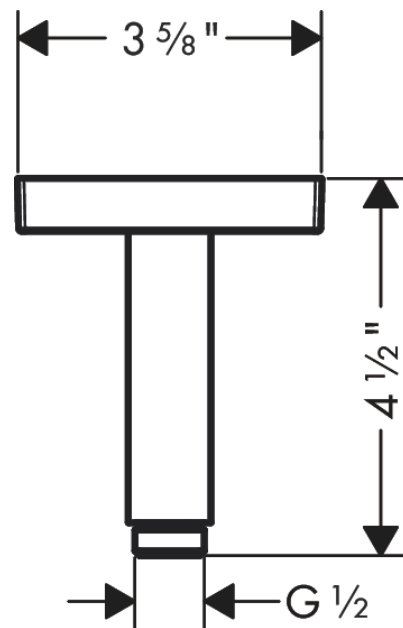
**Compliance / Sustainability**



**Product image**



**Scale drawing**

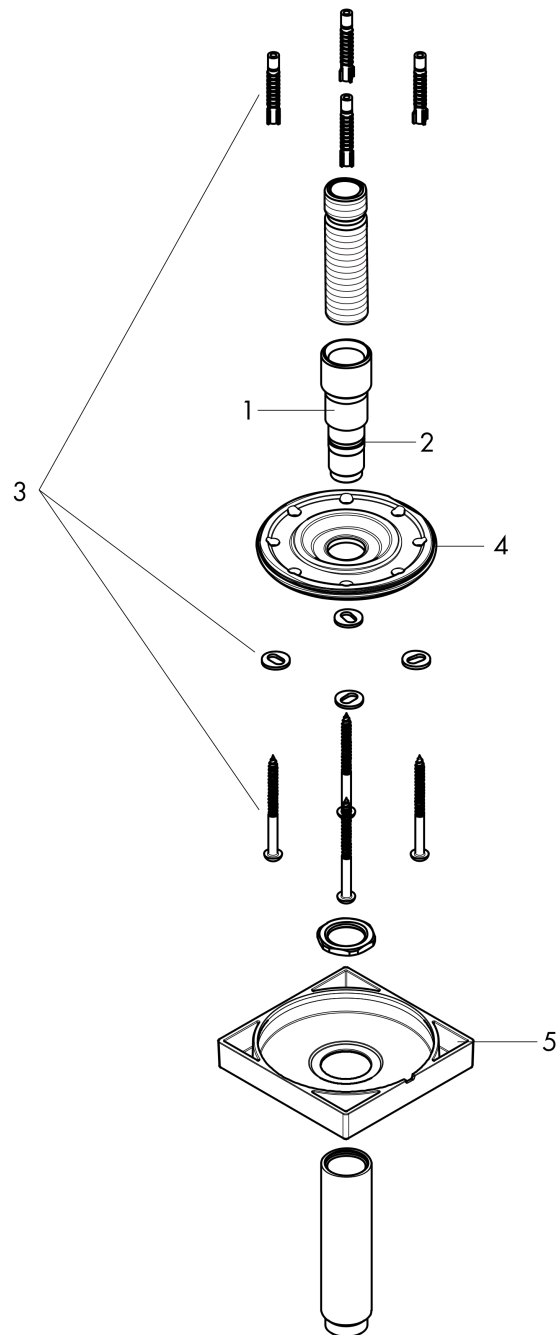


**AXOR ShowerSolutions**  
**Extension Pipe for Ceiling Mount, Square- 4"**  
 Finish: **chrome** Part no. : **26437001**



Exploded drawing

Year of production: >07/22



**AXOR ShowerSolutions**  
**Extension Pipe for Ceiling Mount, Square- 4"**  
 Finish: **chrome** Part no. : **26437001**



**Spare parts list**

Year of production: >07/22

Pos.	Description	Part no.	Price	PU
2	O-ring 14x2	98129000	-	1
3	mounting set	96179000	-	1
4	O-ring 82x2,5	94732000	-	1
5	escutcheon	94475000	-	1