

AXOR ShowerSolutions
Showerarm 9" Square
 Finish: **chrome** Part no. : **26430001**



Description

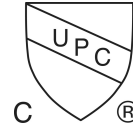
Features

- Length: 9"
- Brass
- Connection type: 1/2" NPT
- Showerarm, Escutcheon, Mounting Material, Assembly instructions

Item details

List Price \$ 201.00

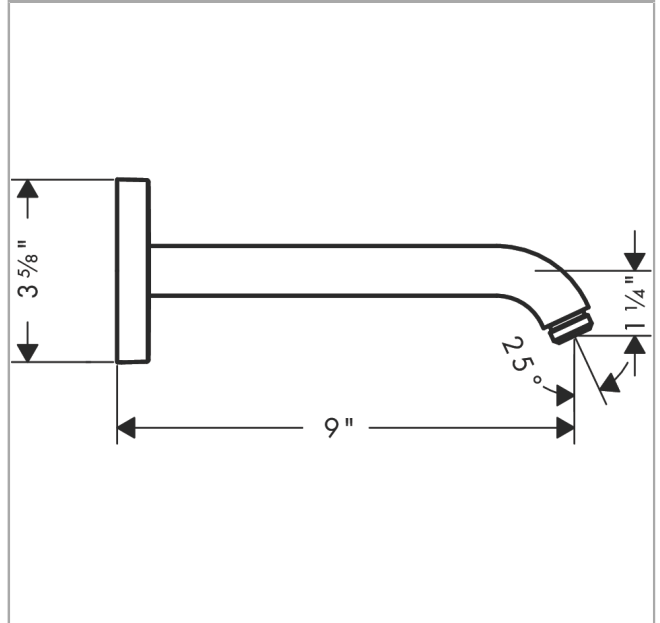
Compliance / Sustainability



Product image



Scale drawing

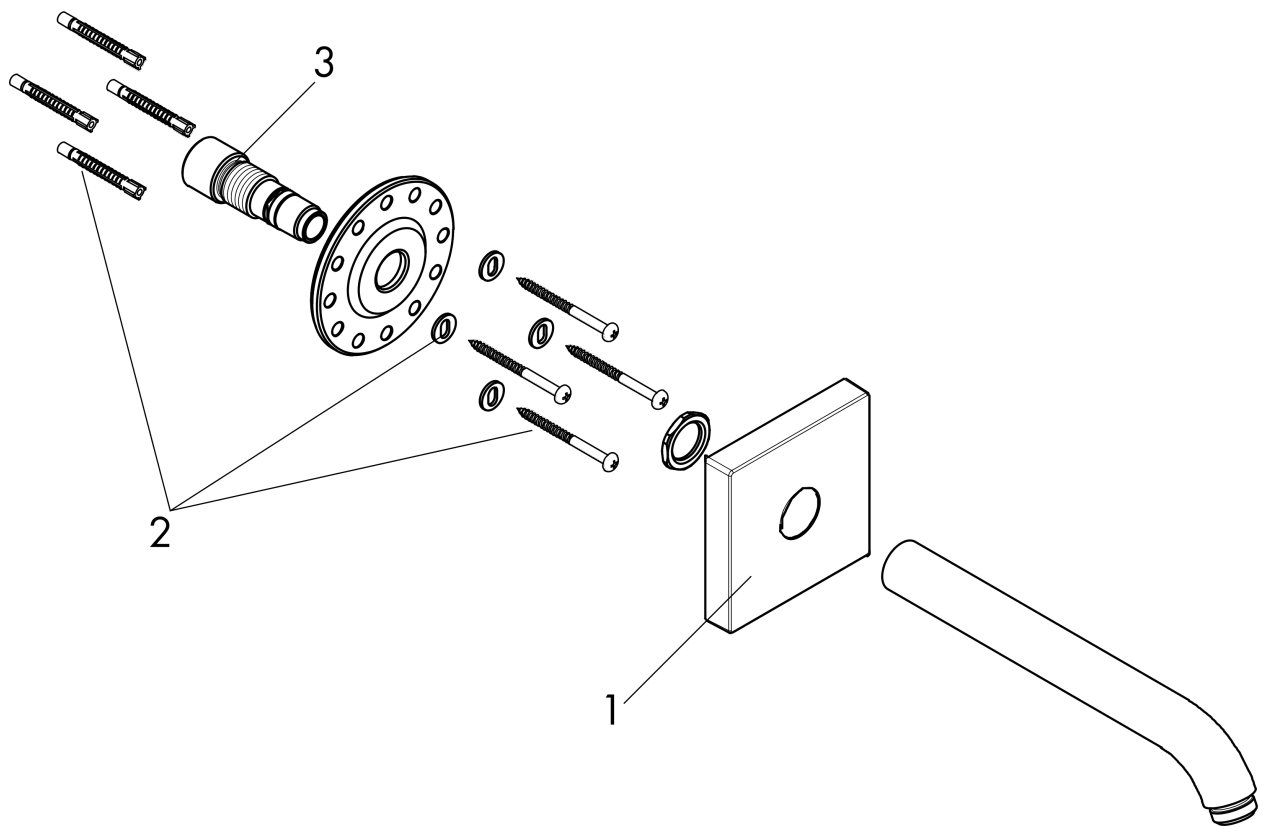


AXOR ShowerSolutions
Showerarm 9" Square
 Finish: **chrome** Part no. : **26430001**



Exploded drawing

Year of production: >07/22



AXOR ShowerSolutions
Showerarm 9" Square
 Finish: **chrome** Part no. : **26430001**



Spare parts list

Year of production: >07/22

| Pos. | Description | Part no. | Price | PU |
|------|--------------|----------|-------|----|
| 1 | escutcheon | 94475000 | - | 1 |
| 2 | mounting set | 96179000 | - | 1 |
| 3 | O-ring 14x2 | 98129000 | - | 1 |