

**Rough, Thermostatic Module Select for 3 Functions, without Service Stops**

Finish: Part no. : **18311181**



**Description**

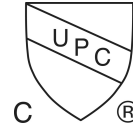
**Features**

- Connection thread: 3/4" NPT
- Horizontal installation
- Sound-decoupled installation
- Minimum mounting depth: 3.42"
- Maximum mounting depth: 4.80"

**Item details**

List Price \$ 1,746.00

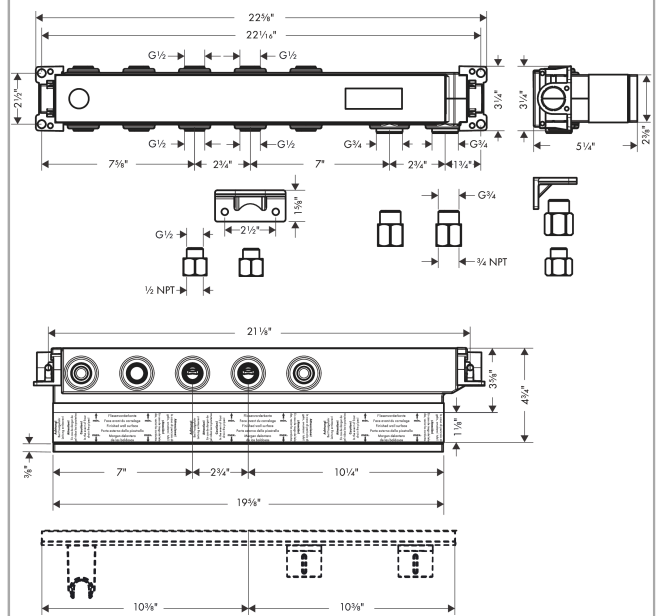
**Compliance / Sustainability**



**Product image**



**Scale drawing**



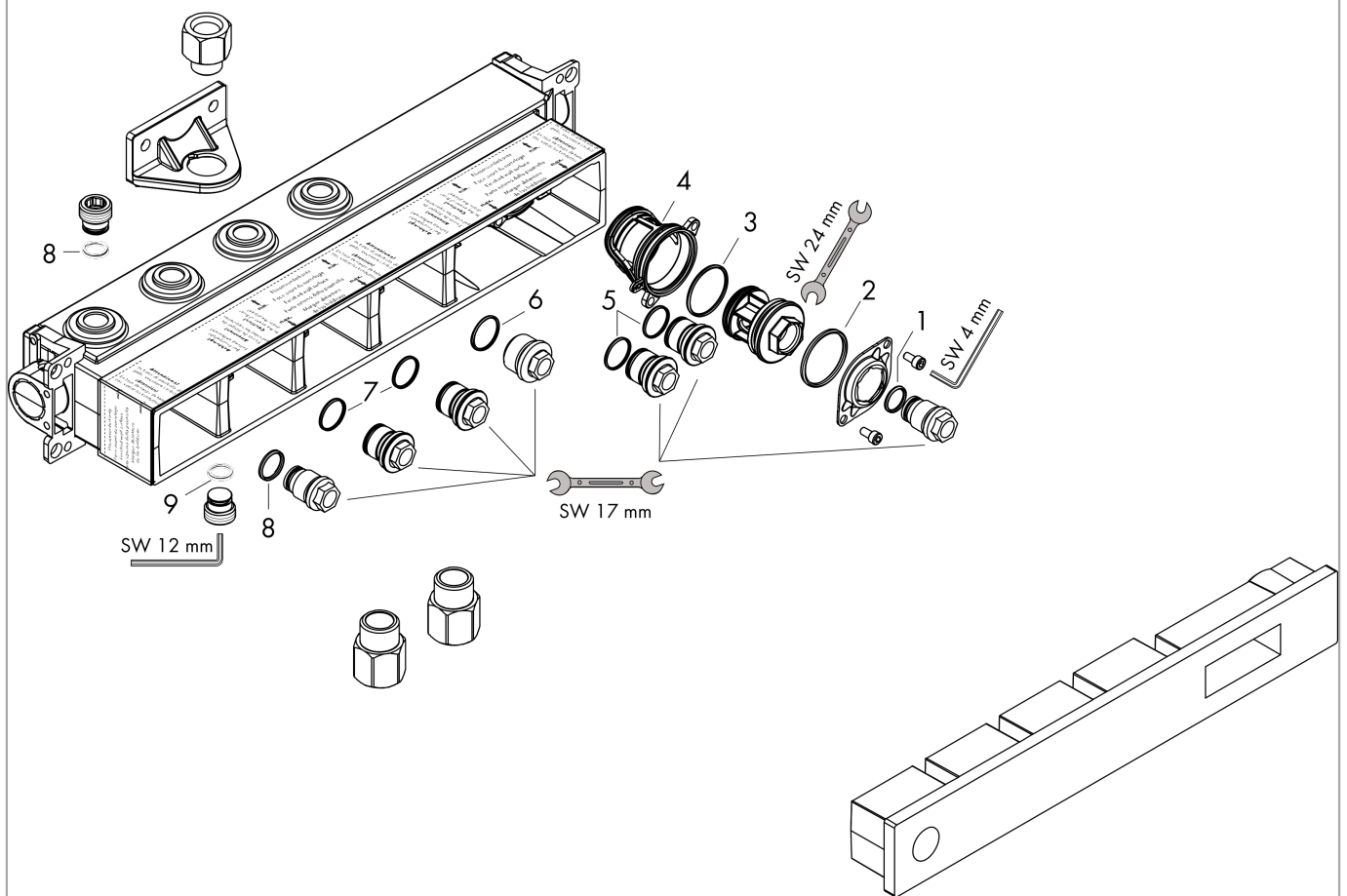
**Rough, Thermostatic Module Select for 3 Functions, without Service Stops**

Finish: Part no. : 18311181



**Exploded drawing**

Year of production: >01/20



**Rough, Thermostatic Module Select for 3 Functions, without Service Stops**

Finish: Part no. : 18311181



**Spare parts list**

Year of production: >01/20

Pos.	Description	Part no.	Price	PU
1	O-ring 34x2	98383000	-	1
2	O-ring 15x2	98163000	-	1
3	O-ring 18x2	98181000	-	1
4	O-ring 20x2	98165000	-	1
5	O-ring 20x1,5	98197000	-	1
a	O-ring 45x2,5	98432000	-	1
b	O-ring 47x2,5	98429000	-	1
c	O-Ring 14x2,5	98189000	-	1