

Rough, Thermostatic Module Select for 2 Functions, without Service Stops

Finish: Part no. : **18310181**



Description

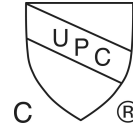
Features

- Connection thread: 3/4" NPT
- Horizontal installation
- Sound-decoupled installation
- Minimum mounting depth: 3.42"
- Maximum mounting depth: 4.80"

Item details

List Price \$ 1,497.00

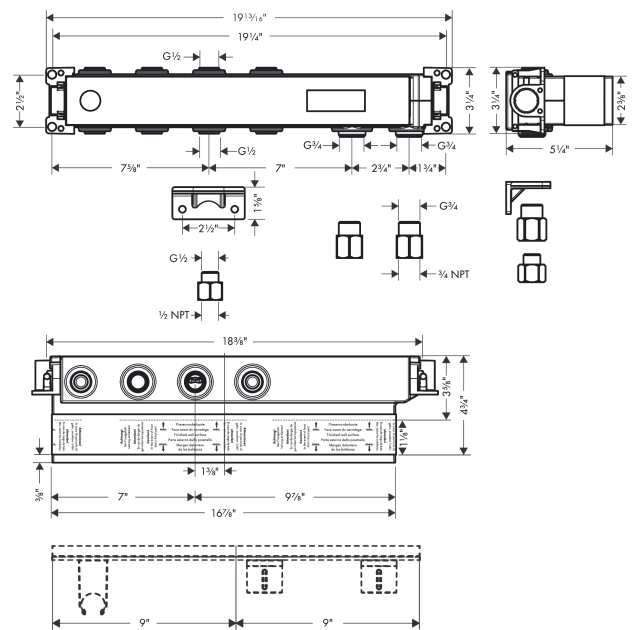
Compliance / Sustainability



Product image



Scale drawing



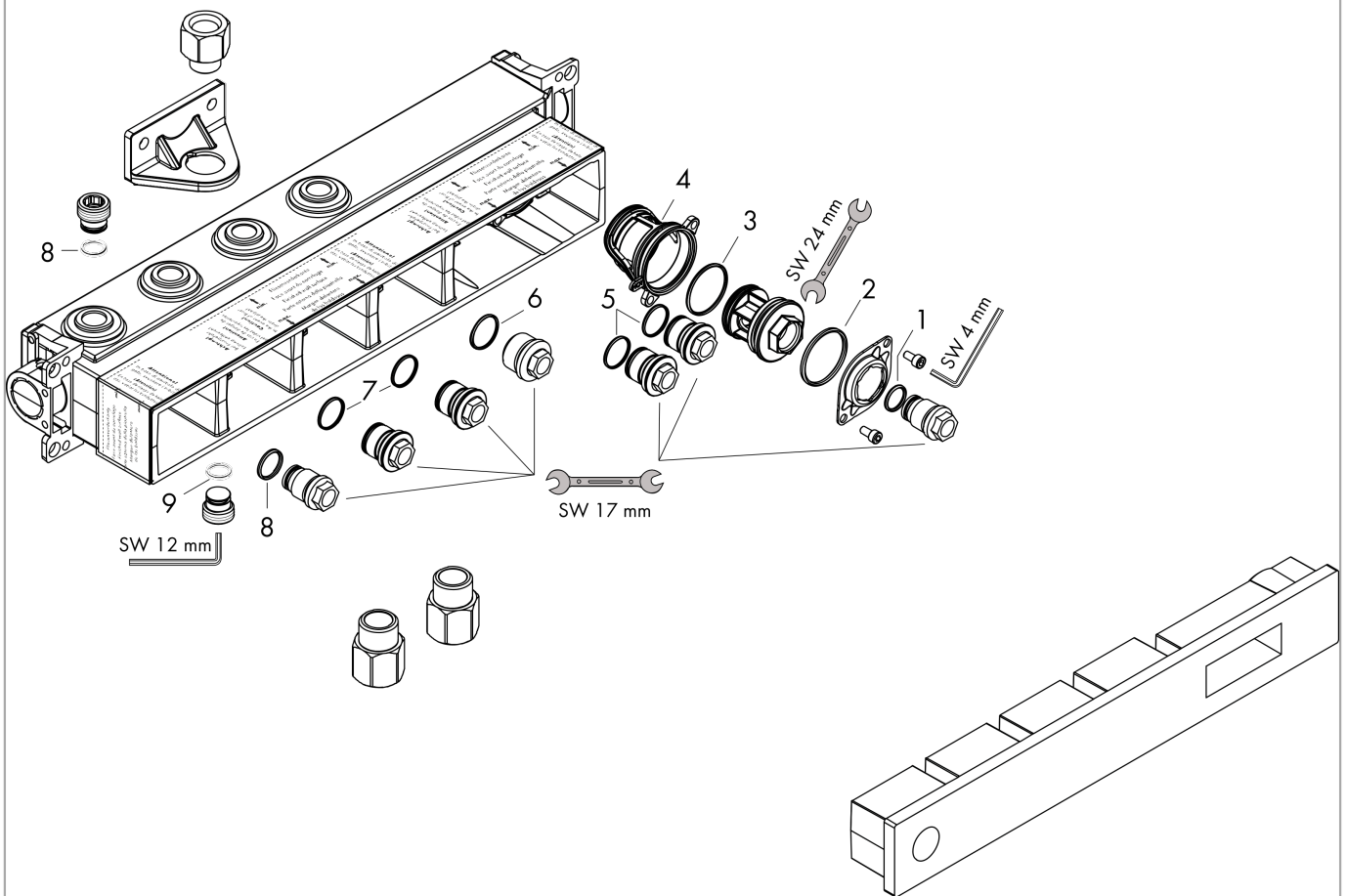
Rough, Thermostatic Module Select for 2 Functions, without Service Stops

Finish: Part no. : 18310181



Exploded drawing

Year of production: >01/20



Rough, Thermostatic Module Select for 2 Functions, without Service Stops

Finish: Part no. : **18310181**



Spare parts list

Year of production: >01/20

Pos.	Description	Part no.	Price	PU
1	O-ring 15x2,5	98131000	-	1
2	O-ring 38x2,5	98198000	-	1
3	sleeve	87898000	-	1
4	O-ring 34x2	98383000	-	1
5	O-ring 20x2	98165000	-	1
6	O-ring 21,95x1,78	95169000	-	1
7	O-ring 20x1,5	98197000	-	1
8	O-ring 18x2	98181000	-	1
9	O-ring 13x2	98128000	-	1
a	extension 25 mm	93432000	-	1