

AXOR Montreux
Handshower Holder
 Finish: **polished nickel** Part no. : **16325830**



Description

Features

- For shower hose with conical nut
- Wall-mounted
- Diameter of drilled hole: 0.23"

Item details

List Price \$ 135.00

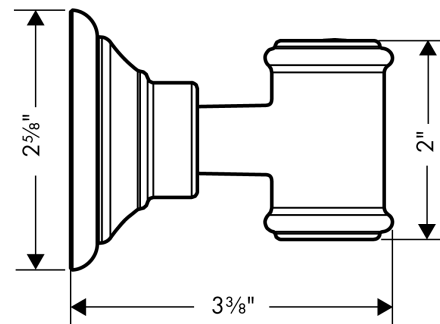
Compliance / Sustainability



Product image



Scale drawing



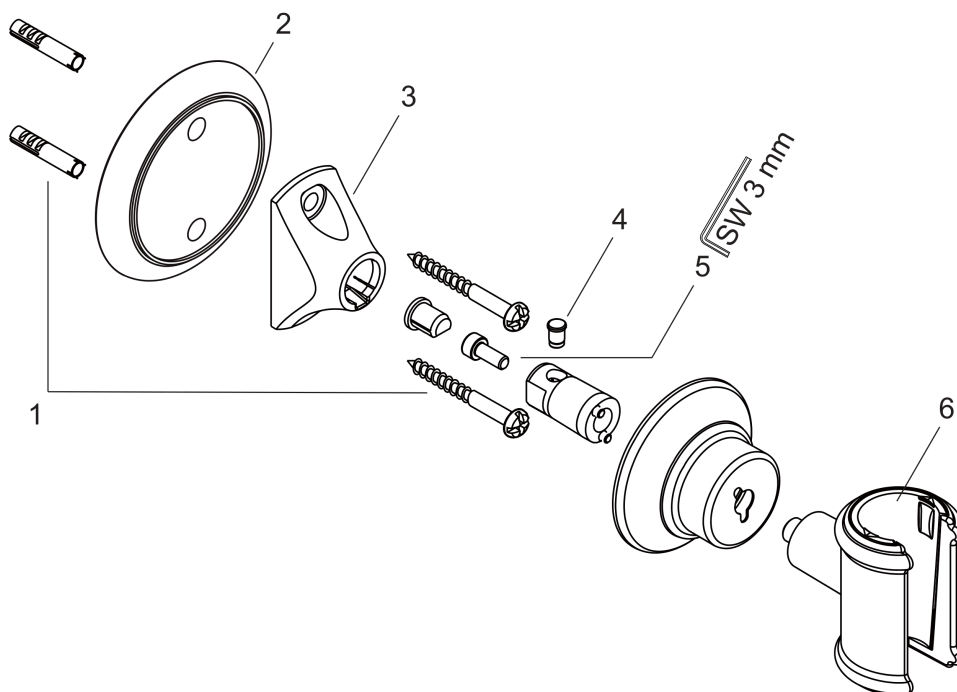
**AXOR Montreux
Handshower Holder**

Finish: **polished nickel** Part no. : **16325830**



Exploded drawing

Year of production: **04/06 - 12/11**



**AXOR Montreux
Handshower Holder**

Finish: **polished nickel** Part no. : **16325830**



Spare parts list

Year of production: **04/06 - 12/11**

Pos.	Description	Part no.	Price	PU
1	mounting set	96179000	-	1
2	tile-matching-disk 7 mm	95538830	-	1
3	support element	96341000	-	1
4	pin	97546000	-	1
5	hexagon socket screw M4x10	97661000	-	1
6	guide	98918000	-	1