

Rough, Trio 2-Way Diverter without Shut-Off, 3/4"
 Finish: Part no. : **15984181**

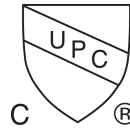


Description

Item details

List Price \$ 256.00

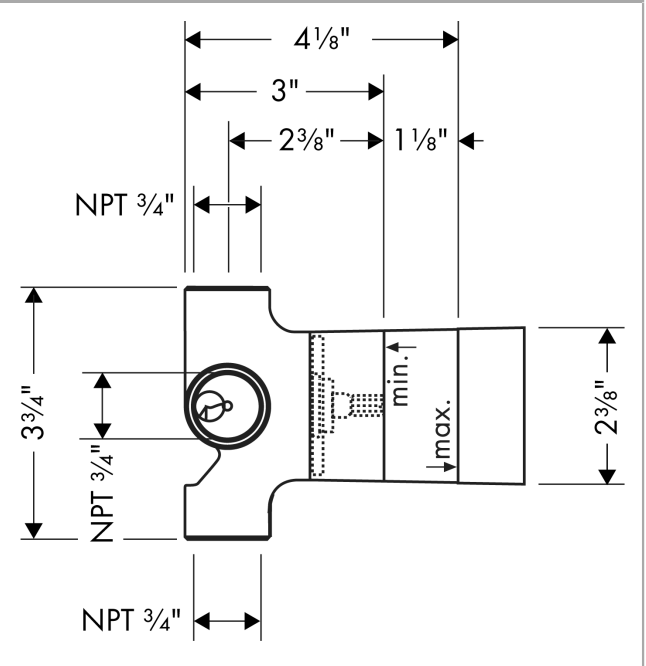
Compliance / Sustainability



Product image



Scale drawing

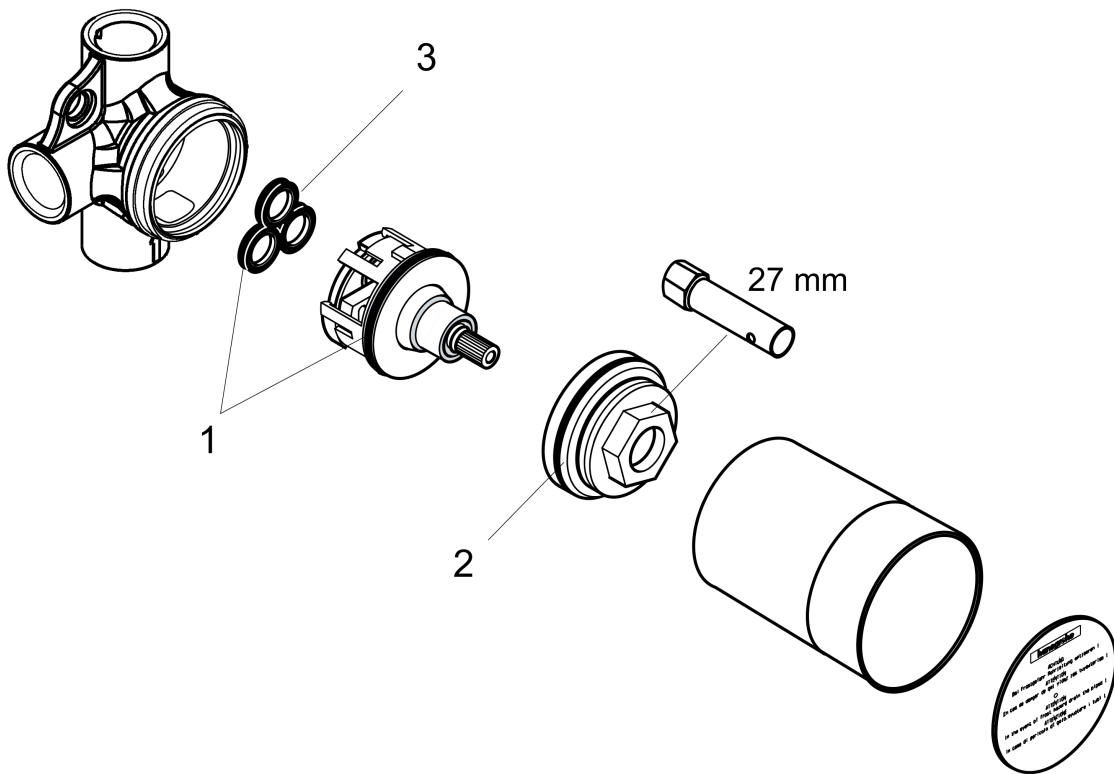


Rough, Trio 2-Way Diverter without Shut-Off, 3/4"
 Finish: Part no. : **15984181**



Exploded drawing

Year of production: >07/18



Rough, Trio 2-Way Diverter without Shut-Off, 3/4"

Finish: Part no. : **15984181**



Spare parts list

Year of production: >07/18

Pos.	Description	Part no.	Price	PU
1	diverter unit	95509000	-	1
2	nut	97550000	-	1
3	sealing set	98798000	-	1
a	extension 25 mm	96370000	-	1