

Rough, Trio 2-Way Diverter with Shut-Off, 3/4"
 Finish: Part no. : **15981181**

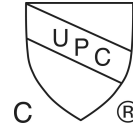


Description

Item details

List Price \$ 265.00

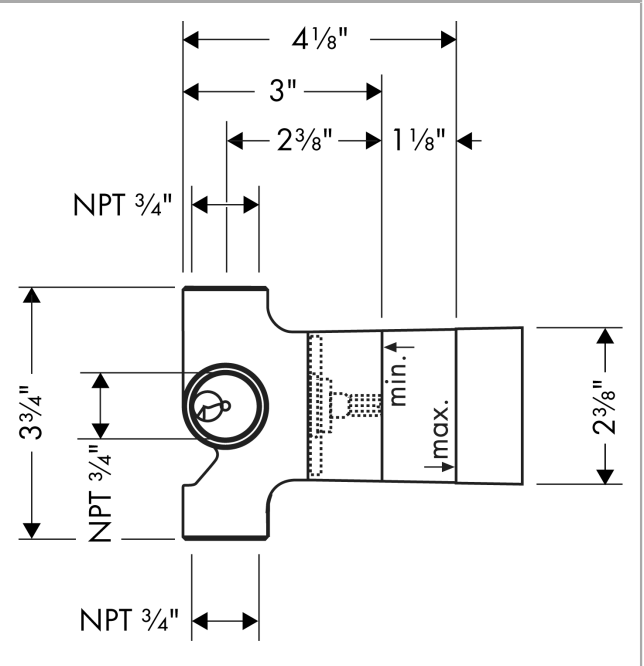
Compliance / Sustainability



Product image



Scale drawing

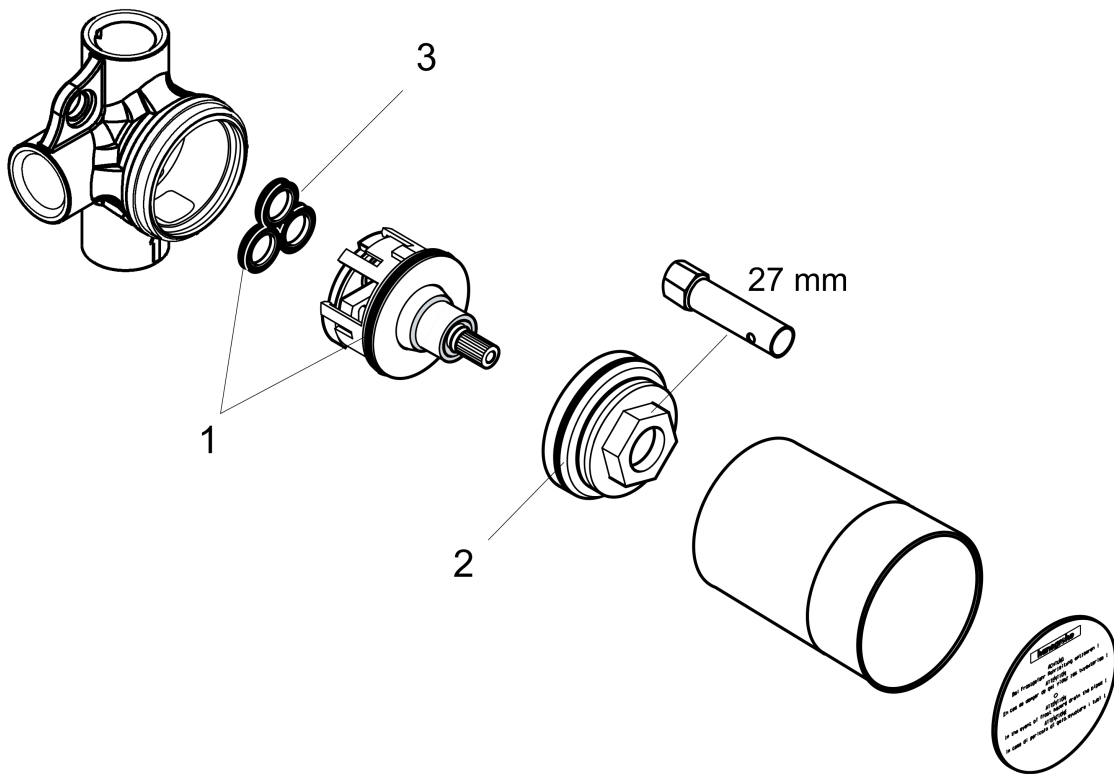


Rough, Trio 2-Way Diverter with Shut-Off, 3/4"
 Finish: Part no. : **15981181**



Exploded drawing

Year of production: >07/18



Rough, Trio 2-Way Diverter with Shut-Off, 3/4"

Finish: Part no. : **15981181**



Spare parts list

Year of production: >07/18

Pos.	Description	Part no.	Price	PU
1	diverter unit	96604000	-	1
2	nut	97550000	-	1
3	sealing set	98798000	-	1
a	extension 25 mm	96370000	-	1