

Rough, Wall-Mounted Single-Handle Faucet

Finish: Part no. : **13625181**



Description

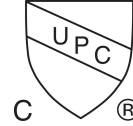
Features

- Sound-decoupled installation

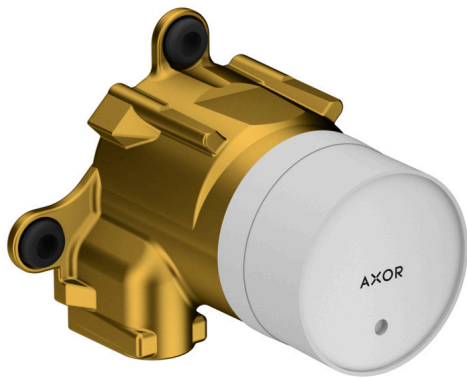
Item details

List Price \$ 375.00

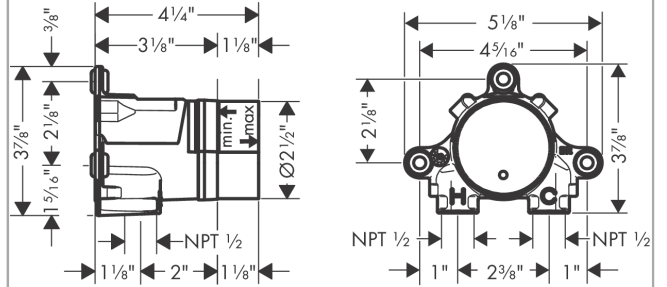
Compliance / Sustainability



Product image



Scale drawing



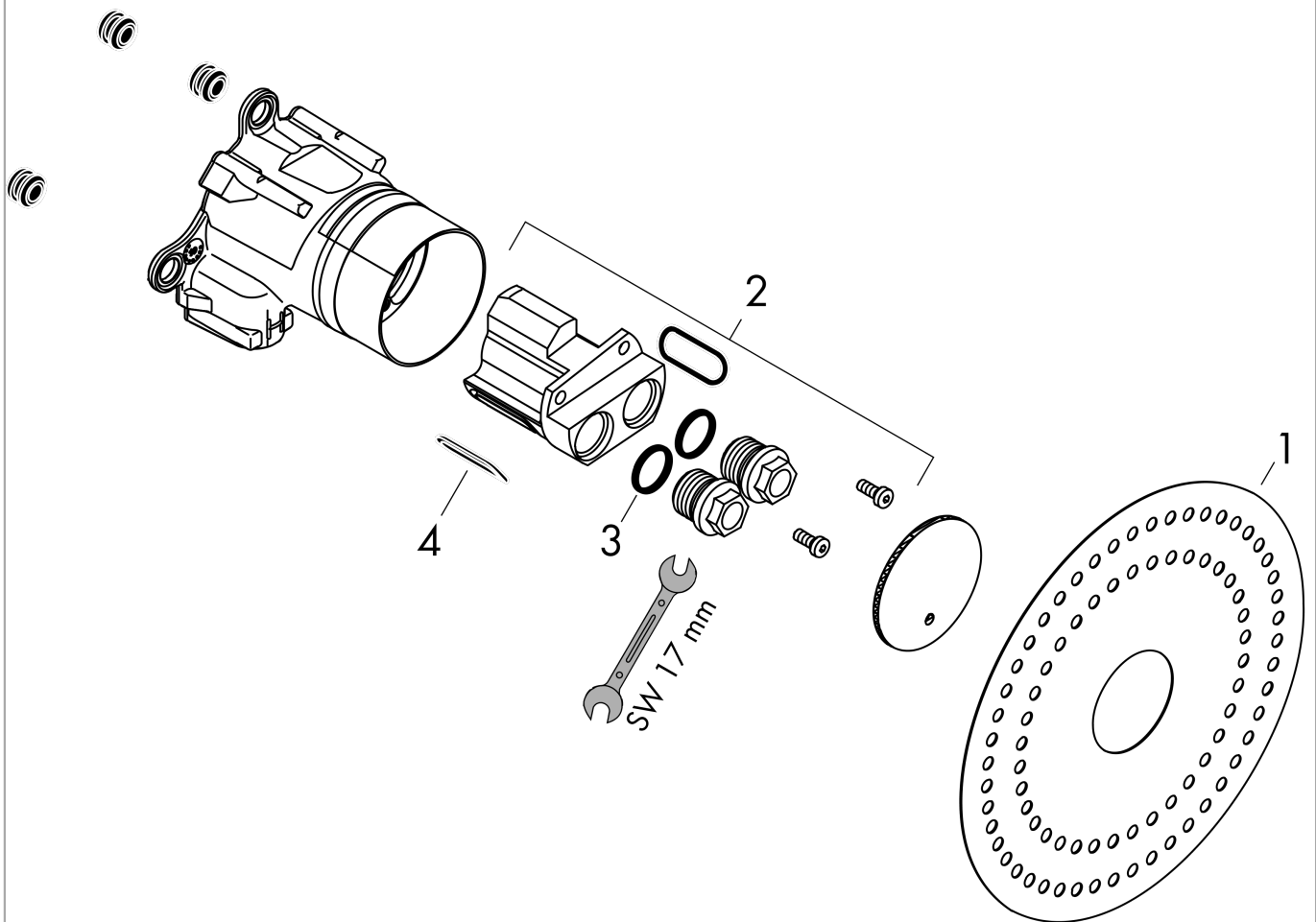
Rough, Wall-Mounted Single-Handle Faucet

Finish: Part no. : 13625181



Exploded drawing

Year of production: >10/21



Rough, Wall-Mounted Single-Handle Faucet

Finish: Part no. : **13625181**



Spare parts list

Year of production: >10/21

Pos.	Description	Part no.	Price	PU
1	sealing foil	96493000	-	1
2	flushing unit complete	94289000	-	1
3	O-ring 18x2	98181000	-	1
4	O-ring 25x2,5	92146000	-	1