

**AXOR Urquiola**  
**Thermostatic Freestanding Tub Filler Trim with 1.75 GPM Handshower**  
 Finish: **chrome** Part no. : **11423001**



**Description**

**Features**

- Thermostatic cartridge, Shut-off/ diverter valve
- Spray type mixer: aerated spray
- Spray type hand shower: Rain, MonoRain
- Max. flow: 5.0 GPM (19 L/Min)
- Flow rate of hand shower at 3 bar: 1.75 GPM (6.6 L/Min)
- Anti-scald 100° safety stop
- Temperature limitation adjustable
- Integrated double backflow prevention
- Not suitable for continuous flow water heaters

**Item details**

List Price \$ 5,168.00

**Technology**



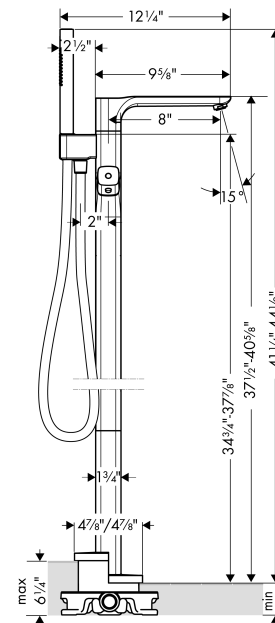
**Compliance / Sustainability**



**Product image**



**Scale drawing**

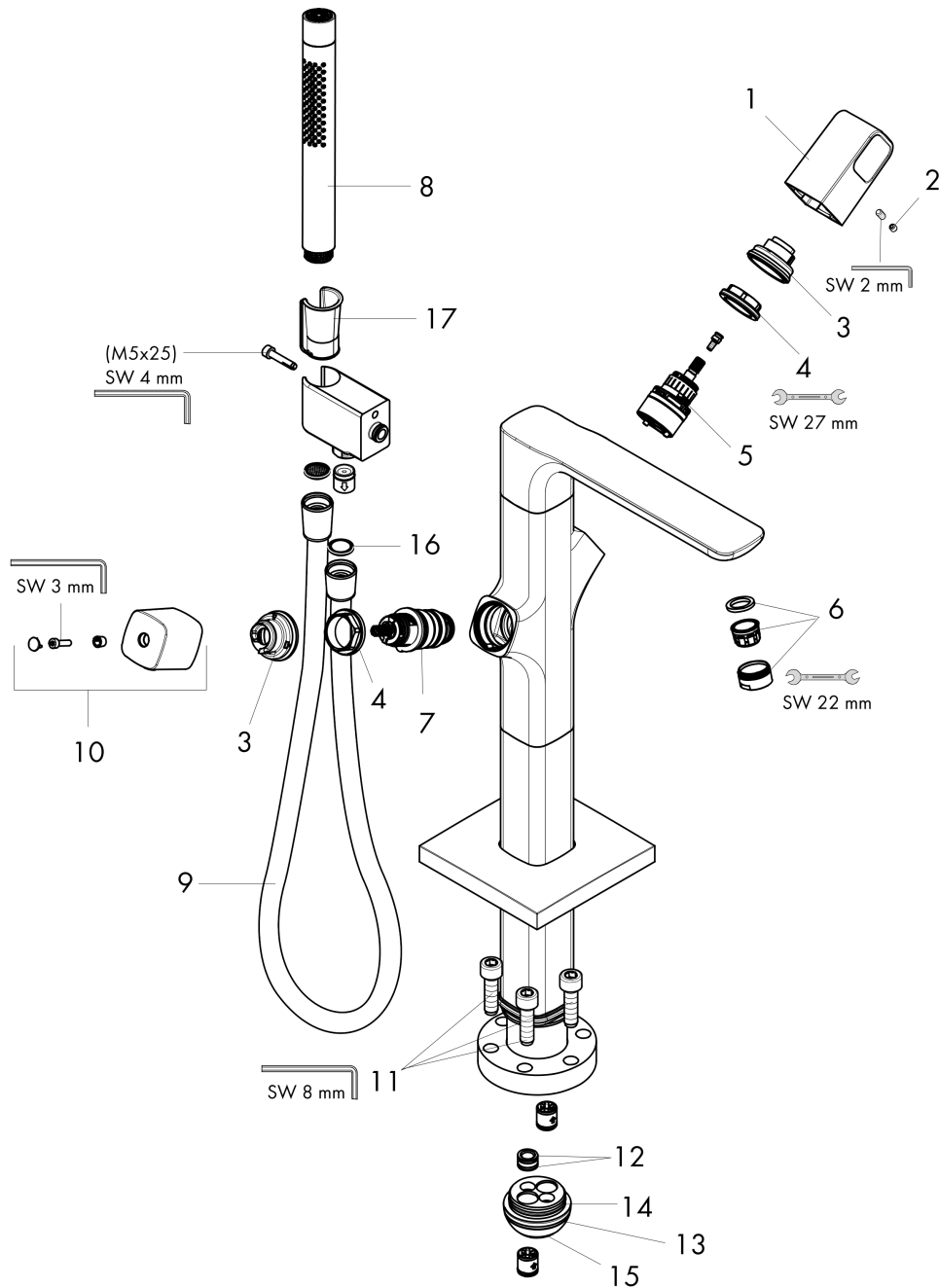


**AXOR Urquiola**  
**Thermostatic Freestanding Tub Filler Trim with 1.75 GPM Handshower**  
 Finish: **chrome** Part no. : **11423001**



**Exploded drawing**

Year of production: >07/18



**AXOR Urquiola**  
**Thermostatic Freestanding Tub Filler Trim with 1.75 GPM Handshower**  
 Finish: **chrome** Part no. : **11423001**



## Spare parts list

Year of production: >07/18

Pos.	Description	Part no.	Price	PU
1	handle	11491000	-	1
2	screw cover	95181000	-	1
3	safety set for temperature control	98916000	-	1
4	nut	98913000	-	1
5	shut off unit with selector	98283000	-	1
6	aerator M24x1 (30 l/min)	96512000	-	1
7	thermostat cartridge	98282000	-	1
8	handshower	04486000	-	1
9	shower hose 1,25 m	28282000	-	1
10	handle for thermostat	11492001	-	1
11	hexagon socket screw M10x35	97670000	-	1
12	O-ring 11x2	98127000	-	1
13	O-ring 44x2,5	98162000	-	1
14	O-Ring 36x2,5	98190000	-	1
15	O-ring 29x3	98371000	-	1
16	seal	98058000	-	1
17	guide	92858000	-	1
a	set of non return valves DW 15	94074000	-	1