

AXOR Starck
Rough, Wall-Mounted Fittings
 Finish: Part no. : **10902181**



Description

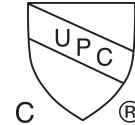
Features

- Connection thread: 1/2" NPT
- No additional maintenance opening required
- 180° rotationally-symmetric installation
- Minimum mounting depth: 1.77"
- Maximum mounting depth: 2.87"

Item details

List Price \$ 700.00

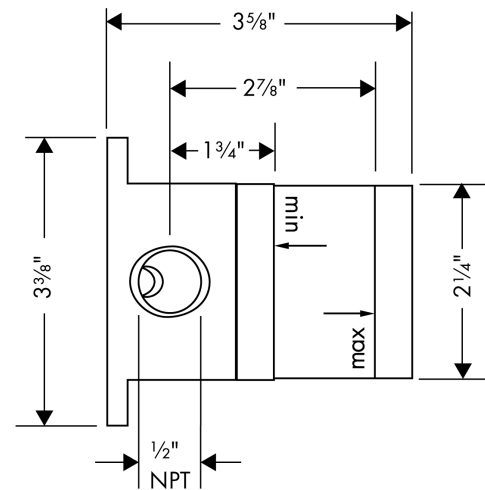
Compliance / Sustainability



Product image



Scale drawing

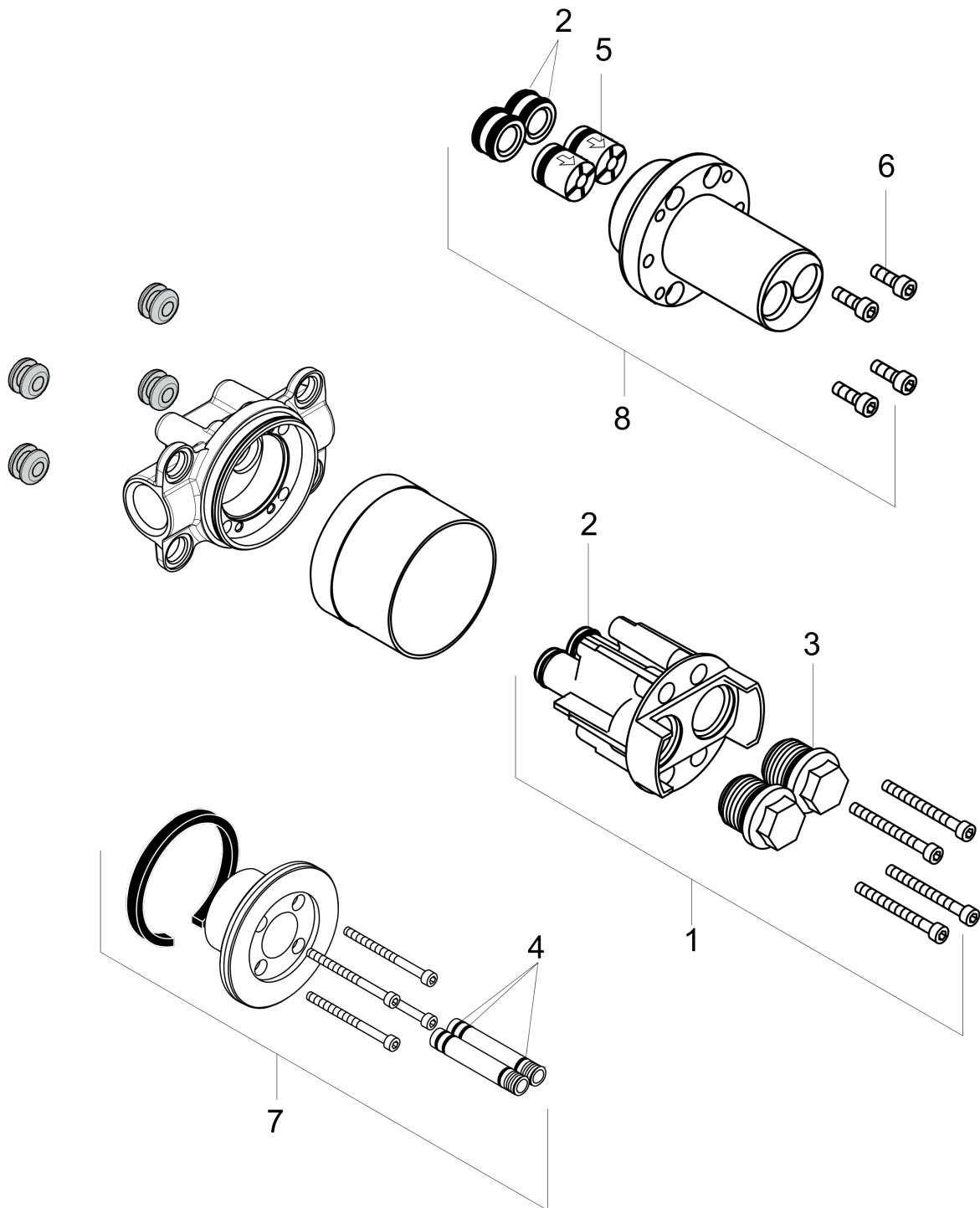


AXOR Starck
Rough, Wall-Mounted Fittings
 Finish: Part no. : **10902181**



Exploded drawing

Year of production: 08/04 - 06/18



AXOR Starck
Rough, Wall-Mounted Fittings
 Finish: Part no. : **10902181**



Spare parts list

Year of production: **08/04 - 06/18**

Pos.	Description	Part no.	Price	PU
1	flushing unit complete	96491000	-	1
2	O-ring 11x2	98127000	-	1
3	O-ring 18x2	98181000	-	1
4	O-ring 9x1,5	98117000	-	1
5	set of non return valves DW 15	94074000	-	1
6	hexagon socket screw M4x10	97661000	-	1
7	extension set 28 mm	10980000	-	1
8	conversion kit	97130000	-	1