

AXOR Starck
Freestanding Tub Filler Trim with Lever Handle and 1.75 GPM Handshower
 Finish: **brushed black chrome** Part no. : **10455341**

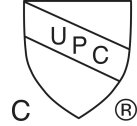


Description

Item details

List Price \$ 3,698.00

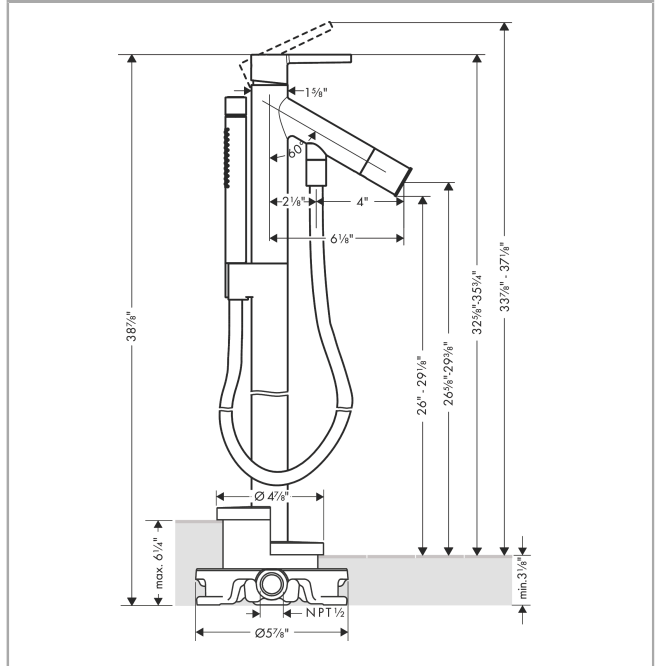
Compliance / Sustainability



Product image



Scale drawing

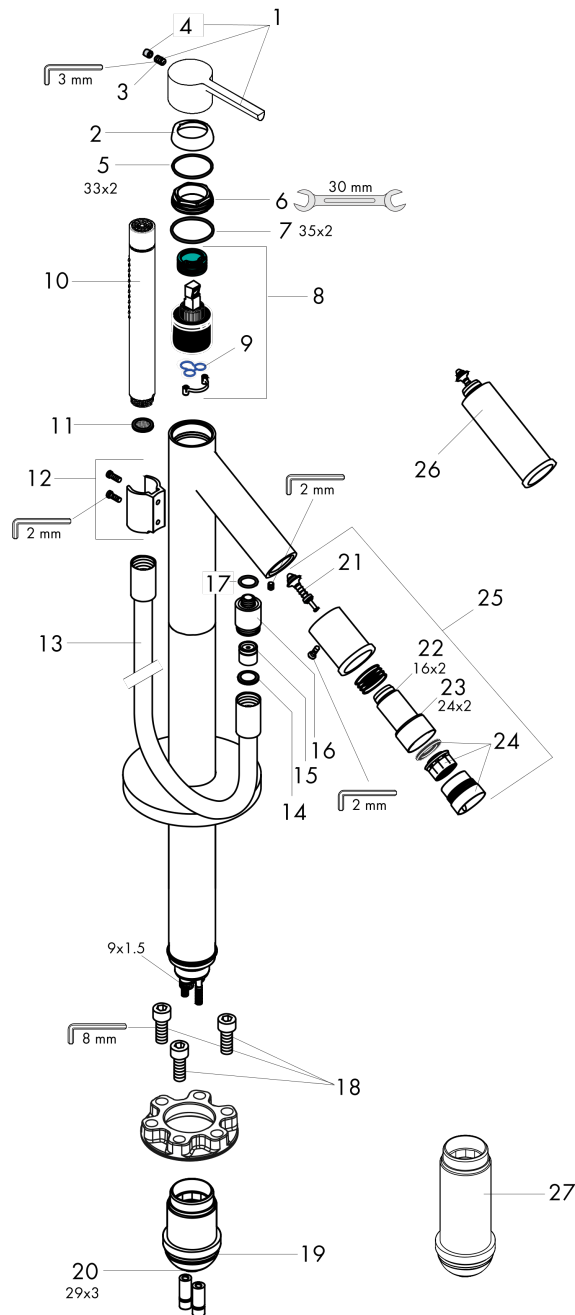


AXOR Starck
Freestanding Tub Filler Trim with Lever Handle and 1.75 GPM Handshower
 Finish: **brushed black chrome** Part no. : **10455341**



Exploded drawing

Year of production: >10/21



AXOR Starck
Freestanding Tub Filler Trim with Lever Handle and 1.75 GPM Handshower
 Finish: **brushed black chrome** Part no. : **10455341**



Spare parts list

Year of production: >10/21

Pos.	Description	Part no.	Price	PU
2	flange	96763340	-	1
3	hollow set screw M6x10 DIN 916	96029000	-	1
4	screw cover	96762000	-	1
5	O-ring 33x2	98154000	-	1
6	nut	97209000	-	1
7	O-ring 35x2	92604000	-	1
8	cartridge, assy	92730000	-	1
9	seal	95008000	-	1
10	handshower	04486340	-	1
11	filter packing	94246000	-	1
12	shower holder, assy	96295340	-	1
13	shower hose 1,25 m	28282340	-	1
14	seal	98058000	-	1
15	set of non return valves DW 15	94074000	-	1
16	connecting thread	97527340	-	1
17	O-ring 13x2	98128000	-	1
18	hexagon socket screw M10x35	97670000	-	1
19	O-ring 44x2,5	98162000	-	1
20	O-ring 29x3	98371000	-	1
21	selector	96297000	-	1
22	O-ring 16x2	98133000	-	1
23	O-ring 24x2	98388000	-	1
24	aerator M30x1 (25 l/min)	96296340	-	1
25	selector assy	96294340	-	1
26	extension for diverter 60 mm	10981340	-	1
27	extension set 60 mm	97686000	-	1