

AXOR Starck
Single-Hole Faucet 90 with Pop-Up Drain, 1.2 GPM
 Finish: **brushed gold optic** Part no. : **10111251**



Description

Features

- Handle variant: pin
- Spray modes: aerated spray
- Max. flow: 1.2 GPM (4.5 L/Min)
- Ceramic cartridge
- Includes pop-up drain

Item details

List Price \$ 1,332.00

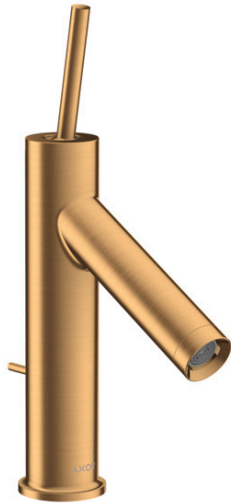
Technology



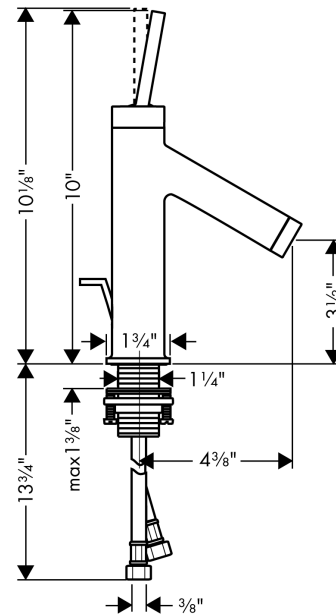
Compliance / Sustainability



Product image



Scale drawing

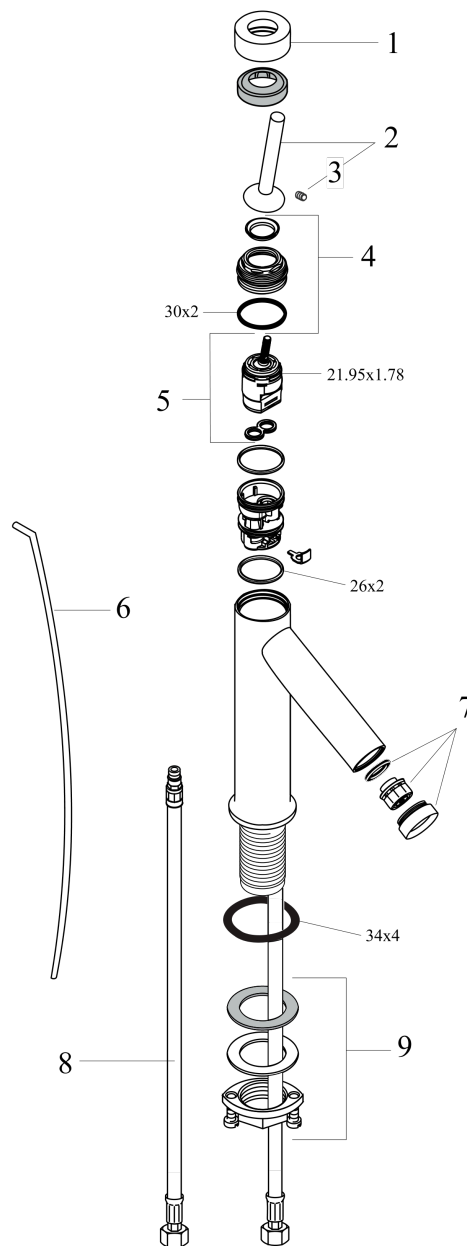


AXOR Starck
Single-Hole Faucet 90 with Pop-Up Drain, 1.2 GPM
 Finish: brushed gold optic Part no. : 10111251



Exploded drawing

Year of production: >05/17



AXOR Starck
Single-Hole Faucet 90 with Pop-Up Drain, 1.2 GPM
 Finish: **brushed gold optic** Part no. : **10111251**



Spare parts list

Year of production: >05/17

| Pos. | Description | Part no. | Price | PU |
|------|-----------------------------------|----------|-------|----|
| 1 | flange | 97155250 | - | 1 |
| 2 | handle | 10092250 | - | 1 |
| 3 | hollow set screw M4x6 | 97767000 | - | 1 |
| 4 | nut | 97157000 | - | 1 |
| 5 | cartridge, assy | 96339000 | - | 1 |
| 6 | pull rod | 97158250 | - | 1 |
| 7 | aerator M24x1 (4,5 l/min) | 92812000 | - | 1 |
| 8 | connection hose 18½" M8x0,75 3/8" | 96321001 | - | 1 |
| 9 | fixing set (Ø 32) | 13961000 | - | 1 |
| a | pop up waste | 88509250 | - | 1 |
| b | O-ring 21,95x1,78 | 95169000 | - | 1 |
| c | O-ring 26x2 | 98147000 | - | 1 |
| d | O-ring 34x4 | 98155000 | - | 1 |
| e | O-Ring 30x2 | 98186000 | - | 1 |
| f | adapter for cartridge | 95289000 | - | 1 |
| g | lever collar | 97548000 | - | 1 |