

**AXOR Starck**  
**Single-Hole Faucet 250, 1.2 GPM, without Pop-up Drain**  
 Finish: **chrome** Part no. : **10103001**



**Description**

**Features**

- Handle variant: Lever
- Spray modes: aerated spray
- Max. flow: 1.2 GPM (4.5 L/Min)
- Ceramic cartridge

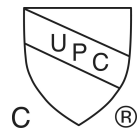
**Item details**

List Price \$ 842.00

**Technology**



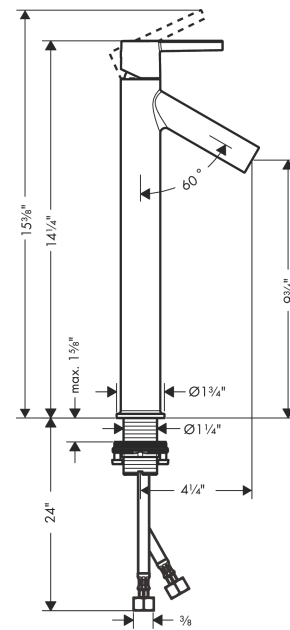
**Compliance / Sustainability**



**Product image**



**Scale drawing**

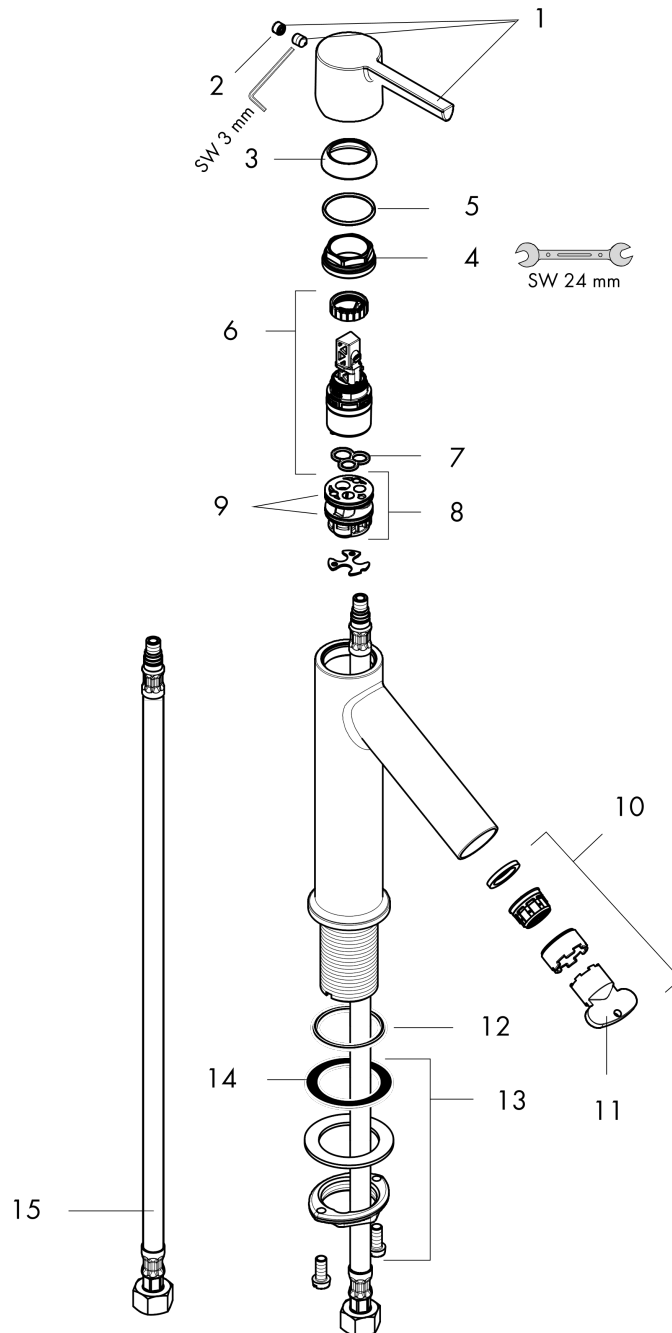


**AXOR Starck**  
**Single-Hole Faucet 250, 1.2 GPM, without Pop-up Drain**  
 Finish: **chrome** Part no. : **10103001**



Exploded drawing

Year of production: >05/20



**AXOR Starck**  
**Single-Hole Faucet 250, 1.2 GPM, without Pop-up Drain**  
 Finish: **chrome** Part no. : **10103001**



**Spare parts list**

Year of production: >05/20

Pos.	Description	Part no.	Price	PU
1	handle	92385000	-	1
2	screw cover	96762000	-	1
3	flange	98863000	-	1
4	nut	95178000	-	1
5	O-Ring 22x2	98185000	-	1
6	cartridge, assy	95973001	-	1
7	seal	98865000	-	1
8	adapter for cartridge	98866000	-	1
9	O-ring 23x2	98398000	-	1
10	aerator M24x1 (4,5 l/min)	92386001	-	1
11	special tool	95290000	-	1
12	O-ring 34x4	98155000	-	1
13	fixing set (Ø 32)	13961000	-	1
14	lever collar	97548000	-	1
15	connection hose 35½" M8x0,75 3/8"	96316001	-	1