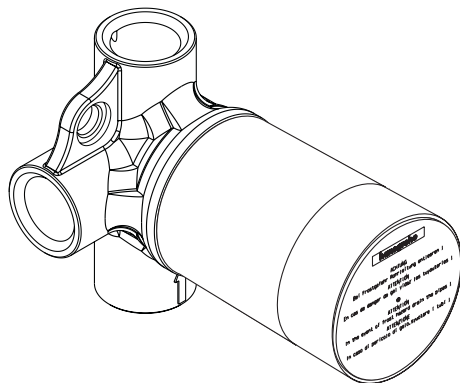
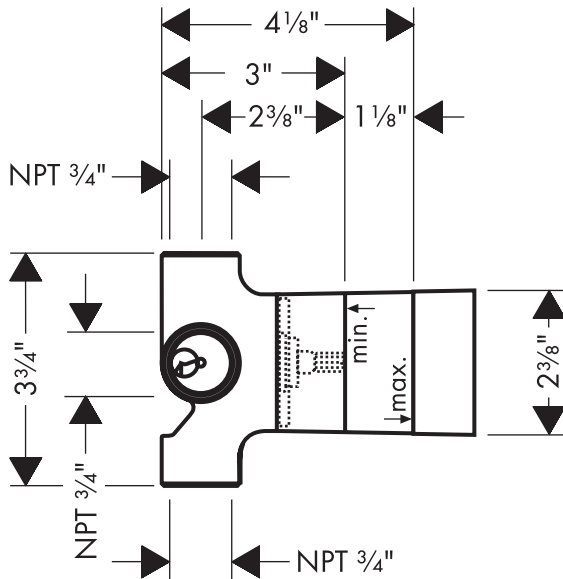


Installation Instructions / Warranty



Trio
15981181

hansgrohe



Technical Information

Recommended water pressure

Max. water pressure

Recommended hot water temp.

Max. hot water temp

Connections

Données techniques

Pression d'eau recommandée

Pression d'eau maximum

Température recommandée d'eau chaude

Température maximum d'eau chaude

Raccordements

Datos técnicos

Presión recomendada en servicio

Presión en servicio max.

Temperatura recomendada del agua caliente

Temperatura del agua caliente max.

Conexiones

15 - 75 psi

145 psi

120°-140° F*

176° F*

3/4" NPT

*Please know and follow all applicable local plumbing codes when setting the temperature on the water heater.

* Vous devez connaître et respecter tous les codes de plomberie locaux applicables pour le réglage de la température du chauffe-eau.

*Debe conocer y cumplir todos los códigos locales aplicables para ajustar la temperatura del calentador de agua.

Installation Considerations

- For best results, Hansgrohe recommends that this unit be installed by a licensed, professional plumber.
- Please read over these instructions thoroughly before beginning installation. Make sure that you have all tools and supplies needed to complete the installation.
- Trio diverter 15981181 has an "off" position.
- Do not use Trio diverter 15981181 in combination with a pressure balance valve or with another valve that has an "off" position.
- Keep this booklet and the receipt (or other proof of date and place of purchase) for this product in a safe place. The receipt is required should it be necessary to request warranty parts.

Consideraciones para la instalación

- Para obtener mejores resultados, la instalación debe estar a cargo de un plomero profesional matriculado.
- Antes de comenzar la instalación, lea estas instrucciones detenidamente. Asegúrese de tener las herramientas y los insumos necesarios para completar la instalación.
- L'inverseur Trio 15981181 est muni d'une position d'arrêt (« off »).
- Ne pas utiliser un inverseur Trio 15981181 en combinaison avec un robinet à régulateur de pression ou avec un autre robinet muni de la position d'arrêt « off ».
- Mantenga este folleto y el recibo (u otro comprobante del lugar y fecha de compra) de este producto en lugar seguro. El recibo se requiere en caso de ser necesario solicitar piezas bajo garantía.

À prendre en considération pour l'installation

- Pour de meilleurs résultats, Hansgrohe recommande que ce produit soit installé par un plombier professionnel licencié.
- Veuillez lire attentivement ces instructions avant de procéder à l'installation. Assurez-vous de disposer de tous les outils et du matériel nécessaires pour l'installation.
- L'inverseur Trio 15981181 est muni d'une position d'arrêt (« off »).
- Ne pas utiliser un inverseur Trio 15981181 en combinaison avec un robinet à régulateur de pression ou avec un autre robinet muni de la position d'arrêt « off ».
- Conservez ce livret et le reçu (ou une autre preuve sur laquelle figurent la date et l'endroit de l'achat) pour ce produit dans un endroit sûr. Le reçu est requis si vous commandez des pièces sous garantie.

English

see page 5

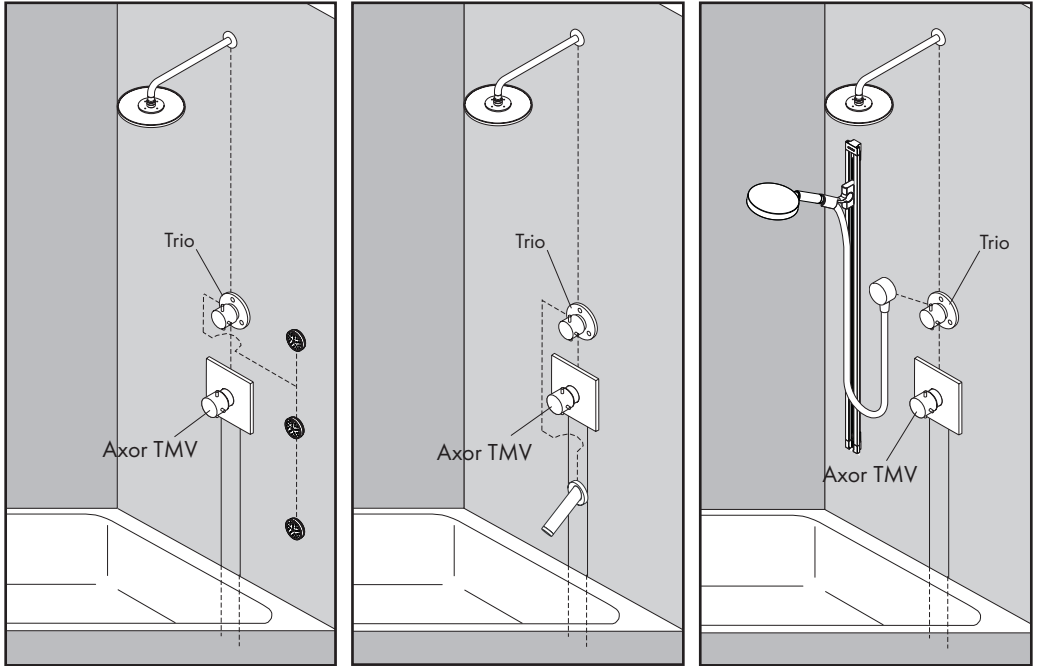
Français

voir p. 7

Español

ver p. 9

Suggested Installation



Two-function installations using the Axor thermostatic mixing valve (TMV)

These are not the only possible installations. If you have questions regarding a specific installation, please contact Hansgrohe Customer Service.

Les exemples illustrés ici ne représentent pas les seules installations possibles. Si vous désirez poser des questions sur une installation particulière, veuillez communiquer avec l'assistance technique de Hansgrohe.

Éstas no son las únicas instalaciones posibles. Si tiene preguntas relativas a una instalación específica, comuníquese con el Servicio al Cliente de Hansgrohe.

Installation

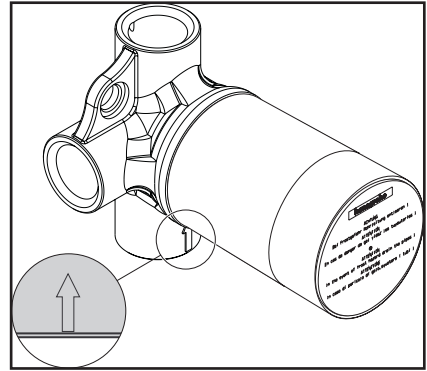
Flush the lines thoroughly before installing the valve. Damage to the cartridge caused by debris is not covered under the Hansgrohe USA warranty.



An arrow showing the direction of the water flow is cast into the valve body.



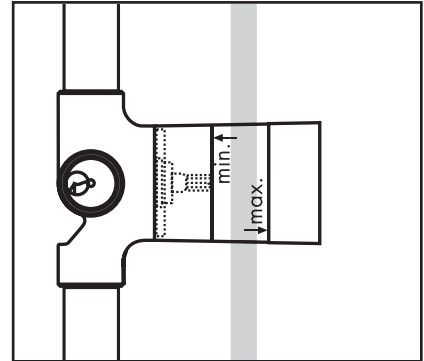
The water must flow through the valve in that direction or damage to the cartridge will occur.



Install the valve so that the outside surface of the **finished** wall falls between the "minimum" and "maximum" lines marked on the plaster shield.



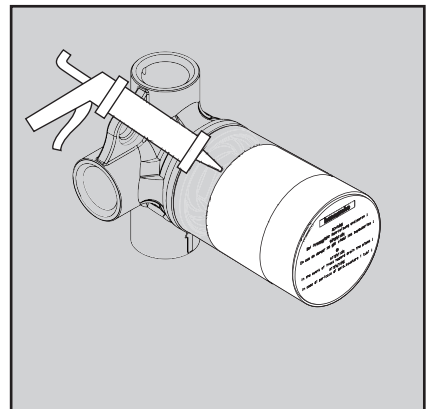
Do not remove the plaster shield from the valve.



When the drywall or green board is installed, **seal the opening around the Trio with waterproof sealant.**



Failure to seal the opening may result in water damage.

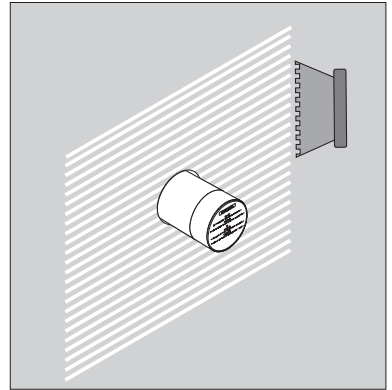


English

Apply adhesive (not included) to the wall around the valve.

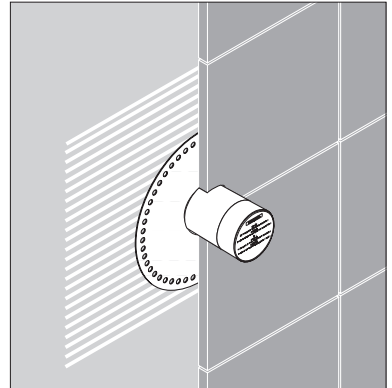


Do not use hot glue as it will damage the gasket.

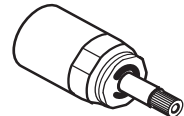


Install the gasket over the Trio.

Install the finished wall material (tile, etc.) over the gasket.



If the outside surface of the finished wall extends beyond the "maximum" marking on the plaster shield, order extension 96370000 through your Hansgrohe dealer.



Installation

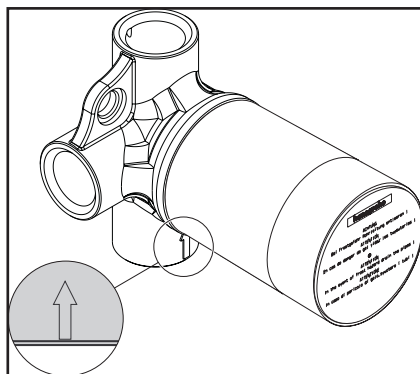
Rincez abondamment les conduites avant d'installer la valve. La garantie É.-U. Hansgrohe ne couvre pas les dommages causés aux cartouches par les dépôts ou impuretés.



Une flèche indiquant la direction du débit figure sur le corps de la valve.



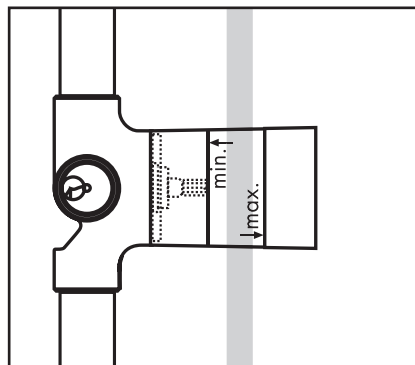
Si l'eau ne coule pas dans la valve dans cette direction, la cartouche sera endommagée.



Installez la valve de façon à ce que la surface extérieure du mur fini tombe entre les lignes « minimum » et « maximum » figurant sur le protecteur de plâtre.



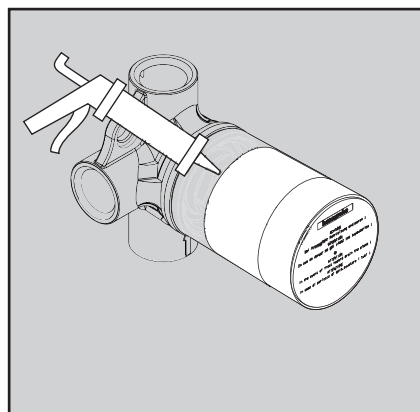
Ne retirez pas le protecteur de plâtre de la valve.



Une fois la cloison sèche ou la céramique installée, scellez l'ouverture autour de l'inverseur Trio à l'aide d'un agent d'étanchéité.



Si l'ouverture n'est pas scellée, l'eau pourrait éventuellement causer des dommages.

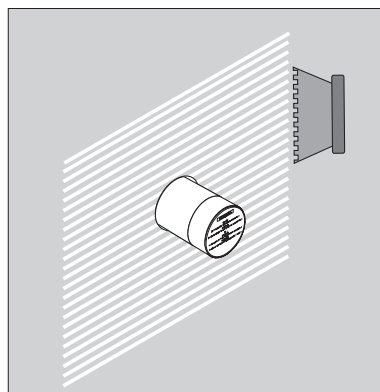


Français

Appliquez un adhésif (non compris) sur le mur autour de la valve.

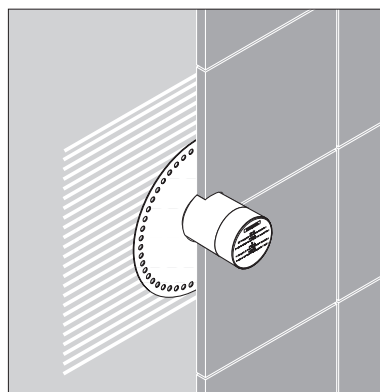


N'utilisez pas de colle chaude car vous pourriez endommager le joint.

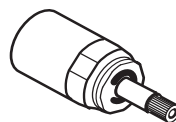


Installez le joint sur l'inverseur Trio.

Installez le matériel de finition du mur (carreaux, etc.) par-dessus le joint.



Si la surface extérieure du mur fini va au-delà de la marque « maximum » du protecteur de plâtre, commandez une rallonge 96370000 auprès de votre détaillant Hansgrohe.



Instalación

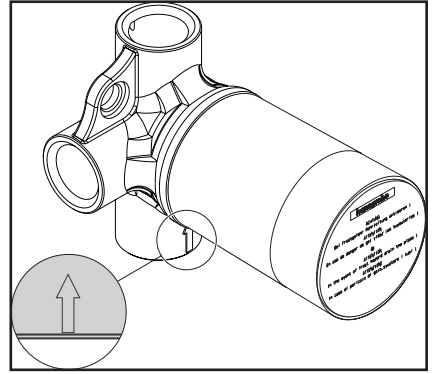
Lave a fondo las tuberías antes de instalar la válvula. Los daños al cartucho causados por los desechos no están cubiertos por la garantía de Hansgrohe para EE.UU.



En el cuerpo de la válvula está fundida una flecha que muestra el sentido del flujo de agua.



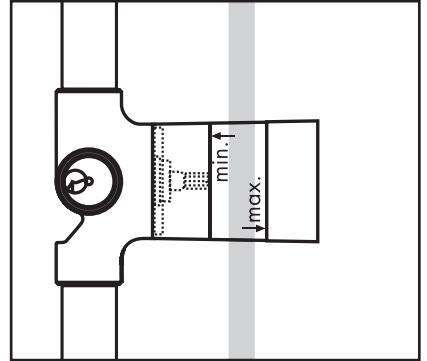
El agua debe circular por la válvula en ese sentido, puesto que de lo contrario puede dañarse el cartucho.



Instale la válvula de modo que la superficie exterior de la pared terminada quede entre las líneas "min" y "max" marcadas en el protector de yeso.



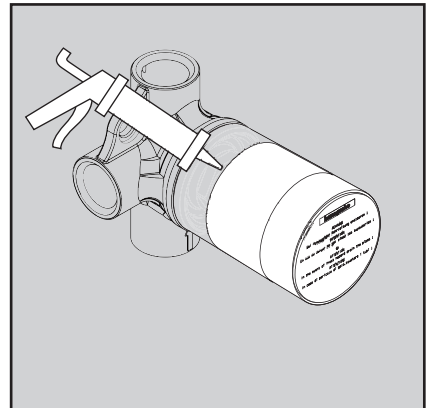
No retire el protector de yeso de la válvula.



Cuando se instale la tabla roca o panel verde, selle la abertura alrededor del Trio con un sellador impermeable.



Si la abertura no se sella, pueden producirse daños por acción del agua.

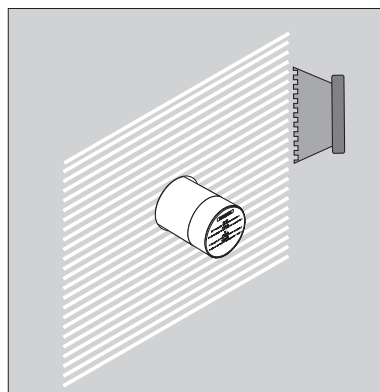


Español

Aplique adhesivo (no incluido) a la pared alrededor de la válvula.

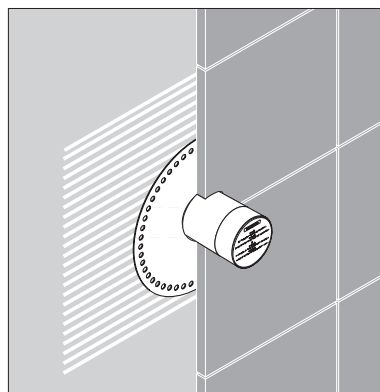


No use cola caliente, puesto que daña la junta.

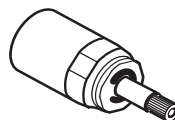


Instale la junta sobre el Trio.

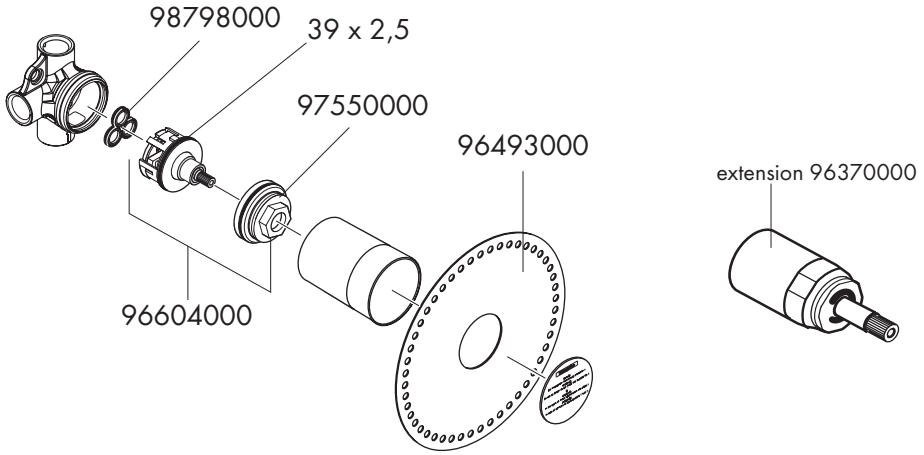
Instale el material de la pared terminada (azulejo, etc.) sobre la junta.



Si la superficie exterior de la pared terminada se extiende más allá de la marca de "máximo" del protector de yeso, solicite la extensión 96370000 al concesionario de Hansgrohe.



Replacement Parts / Pièces détachées / Repuestos



Limited Lifetime Consumer Warranty

This product has been manufactured and tested to the highest quality standards by Hansgrohe, Inc. ("Hansgrohe"). This warranty is limited to Hansgrohe products which are purchased by a consumer in the United States after March 1, 1996, and installed in either the United States or Canada.

WHO IS COVERED BY THE WARRANTY

This warranty extends to the original consumer purchaser only. This warranty is non-transferable.

WHAT IS COVERED BY THE WARRANTY

This warranty covers only your Hansgrohe manufactured product. Hansgrohe warrants this product against defects in material or workmanship as follows: Hansgrohe will repair at no charge for parts only or, at its option, replace any product or part of the product that proves defective because of improper workmanship and/or material, under normal installation, use, service and maintenance. If Hansgrohe is unable to provide a replacement and repair is not practical or cannot be timely made, Hansgrohe may elect to refund the purchase price in exchange for the return of the product.

LENGTH OF WARRANTY

Replacement or repaired parts of products will be covered for the term of this warranty as stated in the following two sentences. If you are a consumer who purchased the product for use primarily for personal, family, or household purposes, this warranty extends for as long as you own the product and the home in which the product is originally installed. If you purchased the product for use primarily for any other purpose, including, without limitation, a commercial purpose, this warranty extends only (i) for 1 year, with respect to Hansgrohe and Commercial products, and (ii) for 5 years, with respect to AXOR products.

THIS WARRANTY DOES NOT COVER, AND HANSGRÖHE WILL NOT PAY FOR:

- A. Conditions, malfunctions or damage not resulting from defects in material or workmanship.
- B. Conditions, malfunctions or damage resulting from (1) normal wear and tear, improper installation, improper maintenance, misuse, abuse, negligence, accident or alteration, or (2) the use of abrasive or caustic cleaning agents or "no-rinse" cleaning products, or the use of the product in any manner contrary to the product instructions. (3) Conditions in the home such as excessive water pressure or corrosion.
- C. Labor or other expenses for the disconnection, deinstallation, or return of the product for warranty service, or for installation or reinstallation of the product (including but not limited to proper packaging and shipping costs), or for installation or reinstallation of the product.
- D. Accessories, connected materials and products, or related products not manufactured by Hansgrohe.

TO OBTAIN WARRANTY PARTS OR INFORMATION

Contact your Hansgrohe retailer, or contact Technical Service at:

Hansgrohe Inc.
1492 Bluegrass Lakes Parkway
Alpharetta GA 30004
Toll-free (800) 334-0455.

In requesting warranty service, you will need to provide

1. The sales receipt or other evidence of the date and place of purchase.
2. A description of the problem.
3. Delivery of the product or the defective part, postage prepaid and carefully packed and insured, to Hansgrohe Inc. 1492 Bluegrass Lakes Parkway, Alpharetta, Georgia 30004, Attention: Technical Service, if required by Hansgrohe.

When warranty service is completed, any repaired or replacement product or part will be returned to you postage prepaid.

EXCLUSIONS AND LIMITATIONS

REPAIR OR REPLACEMENT (OR, IN LIMITED CIRCUMSTANCES, REFUND OF THE PURCHASE PRICE) AS PROVIDED UNDER THIS WARRANTY IS THE EXCLUSIVE REMEDY OF THE PURCHASER. HANSGROHE NEITHER ASSUMES NOR AUTHORIZES ANY PERSON TO CREATE FOR IT ANY OBLIGATION OR LIABILITY IN CONNECTION WITH THIS PRODUCT.

HANSGROHE SHALL NOT BE LIABLE TO PURCHASER OR ANY PERSON FOR ANY INCIDENTAL, SPECIAL, OR CONSEQUENTIAL DAMAGES, ARISING OUT OF BREACH OF THIS WARRANTY OR ANY IMPLIED WARRANTY (INCLUDING MERCHANTABILITY).

Some States do not allow the exclusion or limitation of incidental or consequential damages, so the above limitation or exclusion may not apply to you. This warranty gives you specific legal rights, and you may have other rights which vary from State to State. You may be required by law to give us a reasonable opportunity to correct or cure any failure to comply before you can bring any action in court against us under the Magnuson-Moss Warranty Act.

PRODUCT INSTRUCTIONS AND QUESTIONS

Upon purchase or prior to installation, please carefully inspect your Hansgrohe product for any damage or visible defect. Prior to installing, always carefully study the enclosed instructions on the proper installation and the care and maintenance of the product. If you have questions at any time about the use, installation, or performance of your Hansgrohe product, or this warranty, please call or write to us or call us toll-free at 800 334 0455.

hansgrohe

Hansgrohe, Inc. • 1490 Bluegrass Lakes Parkway • Alpharetta, GA 30004
Tel. 770-360-9880 • Fax 770-360-9887

www.hansgrohe-usa.com