

AXOR Citterio
Kitchen Faucet Select 1-Spray Pull-Out, 1.75 GPM
 Finishes : **steel optic** Part no. : **39861801**



Description

Features

- Swivel range 110° / 150°
- Aerated spray
- Select button provides convenient start/stop of the water flow at the sprayhead
- MagFit magnetic sprayhead docking
- Single-hole installation
- Flow: 1.75 GPM (6.6 L/Min)
- Ceramic cartridge
- 3/8" connections
- Integrated double backflow prevention

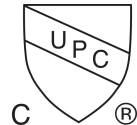
Item details

List Price \$ 1,110.00

Technology



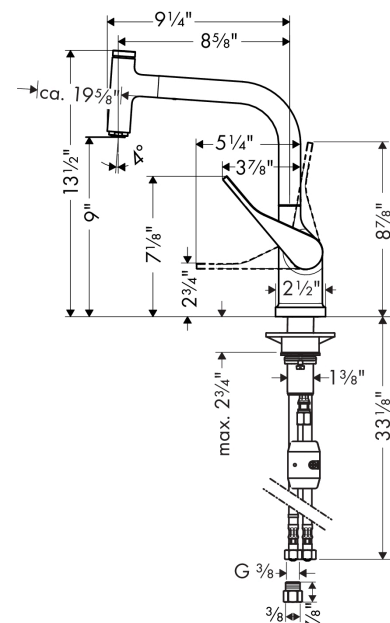
Compliance



Product image



Scale drawing

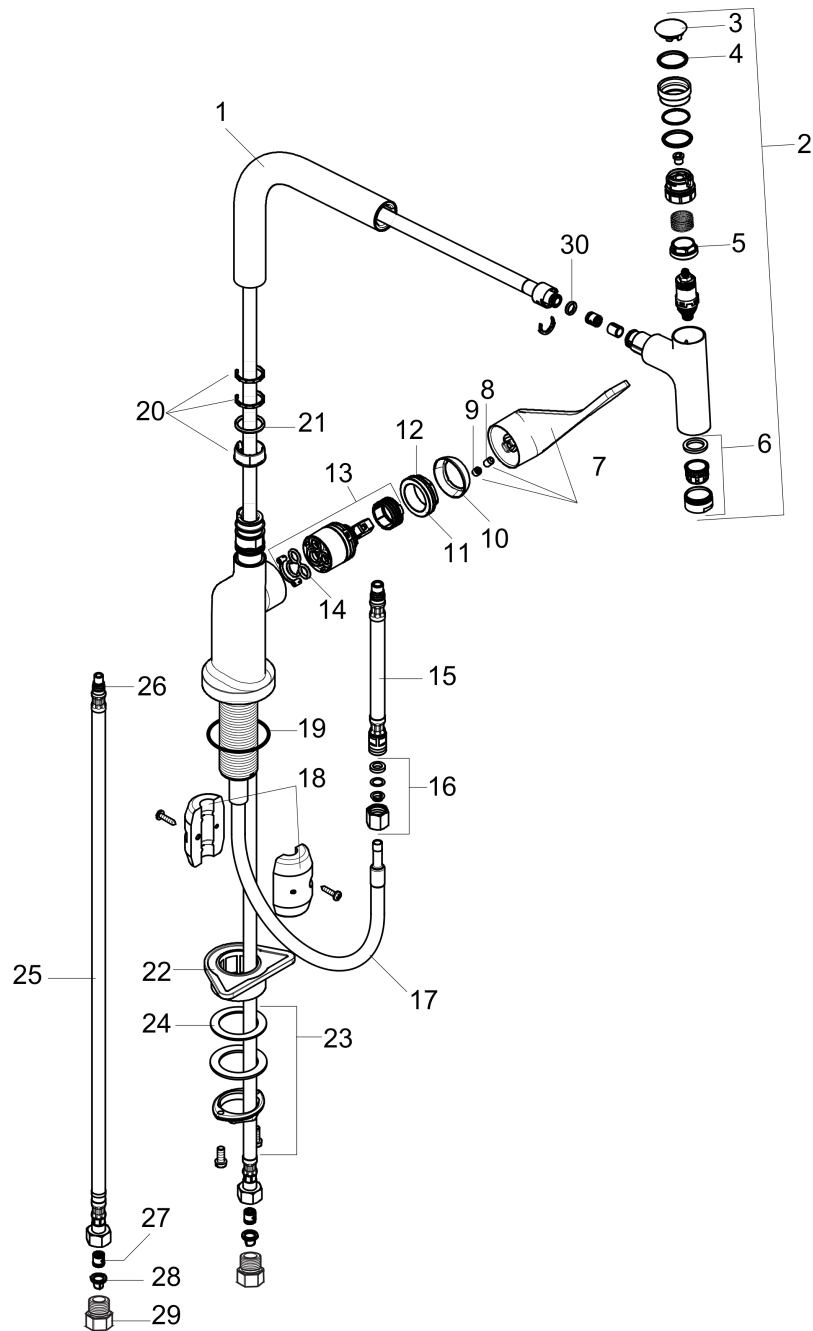


AXOR Citterio
Kitchen Faucet Select 1-Spray Pull-Out, 1.75 GPM
 Finishes : **steel optic** Part no. : **39861801**



Exploded drawing

Year of production: >09/16



AXOR Citterio
Kitchen Faucet Select 1-Spray Pull-Out, 1.75 GPM
 Finishes : **steel optic** Part no. : **39861801**



Spare parts list

Year of production: >09/16

| Pos. | Description | Part no. | Price | PU |
|------|-------------------------------------|----------|-------|----|
| 1 | spout cpl. | 92583800 | - | 1 |
| 2 | handspray | 92570801 | - | 1 |
| 3 | cover | 92566000 | - | 1 |
| 4 | O-ring 19x1,5 | 95962000 | - | 1 |
| 5 | nut | 92567000 | - | 1 |
| 6 | aerator M24x1 (15 l/min) | 13913000 | - | 1 |
| 7 | handle | 39891800 | - | 1 |
| 8 | hollow set screw M6x10 DIN 916 | 96029000 | - | 1 |
| 9 | screw cover | 96338000 | - | 1 |
| 10 | flange | 98603800 | - | 1 |
| 11 | nut | 96461000 | - | 1 |
| 12 | O-Ring 32x2 | 98193000 | - | 1 |
| 13 | cartridge, assy | 92730000 | - | 1 |
| 14 | seal | 95008000 | - | 1 |
| 15 | connection hose 600 mm M10x1 | 92568000 | - | 1 |
| 16 | squeezing connection | 96099000 | - | 1 |
| 17 | hose 1,50 m | 92569000 | - | 1 |
| 18 | weight | 92500000 | - | 1 |
| 19 | O-ring 40x3 | 92634000 | - | 1 |
| 20 | set of lever collars | 98365000 | - | 1 |
| 21 | O-ring 21x2,5 | 98211000 | - | 1 |
| 22 | support | 97523000 | - | 1 |
| 23 | fixing set (Ø 34) | 95049000 | - | 1 |
| 24 | lever collar | 97548000 | - | 1 |
| 25 | connection hose 900 mm M8x0,75 G3/8 | 95372000 | - | 1 |
| 26 | O-ring 7x1,5 | 98422000 | - | 1 |
| 27 | non return valve DW 10 | 96456000 | - | 1 |
| 28 | filter packing | 95291000 | - | 1 |
| 29 | adapter for connection hose | 88802000 | - | 1 |
| 30 | O-ring 8x2 | 98112000 | - | 1 |
| a | shut off unit | 98463000 | - | 1 |