

**AXOR Massaud**  
**Thermostatic Trim with Volume Control and Diverter**  
 Finishes : **chrome** Part no. : **18750001**



**Description**

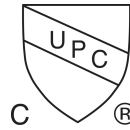
**Features**

- Volume control and diverter for 2 outlets
- Flow: 7.00 GPM (26.5 L/Min)
- Thermostatic cartridge, Shut-off/ diverter valve
- Anti-scald 100° safety stop

**Item details**

List Price \$ 1,309.00

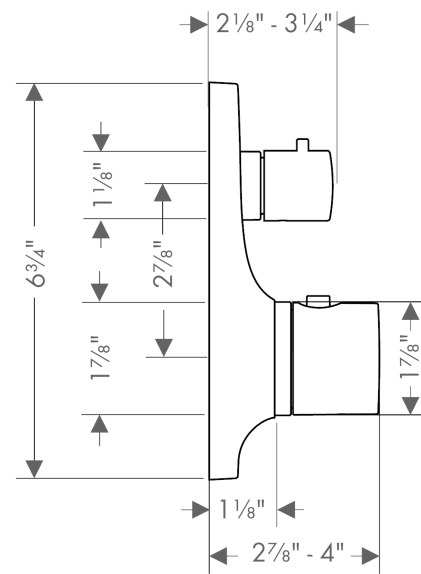
**Compliance**



**Product image**



**Scale drawing**

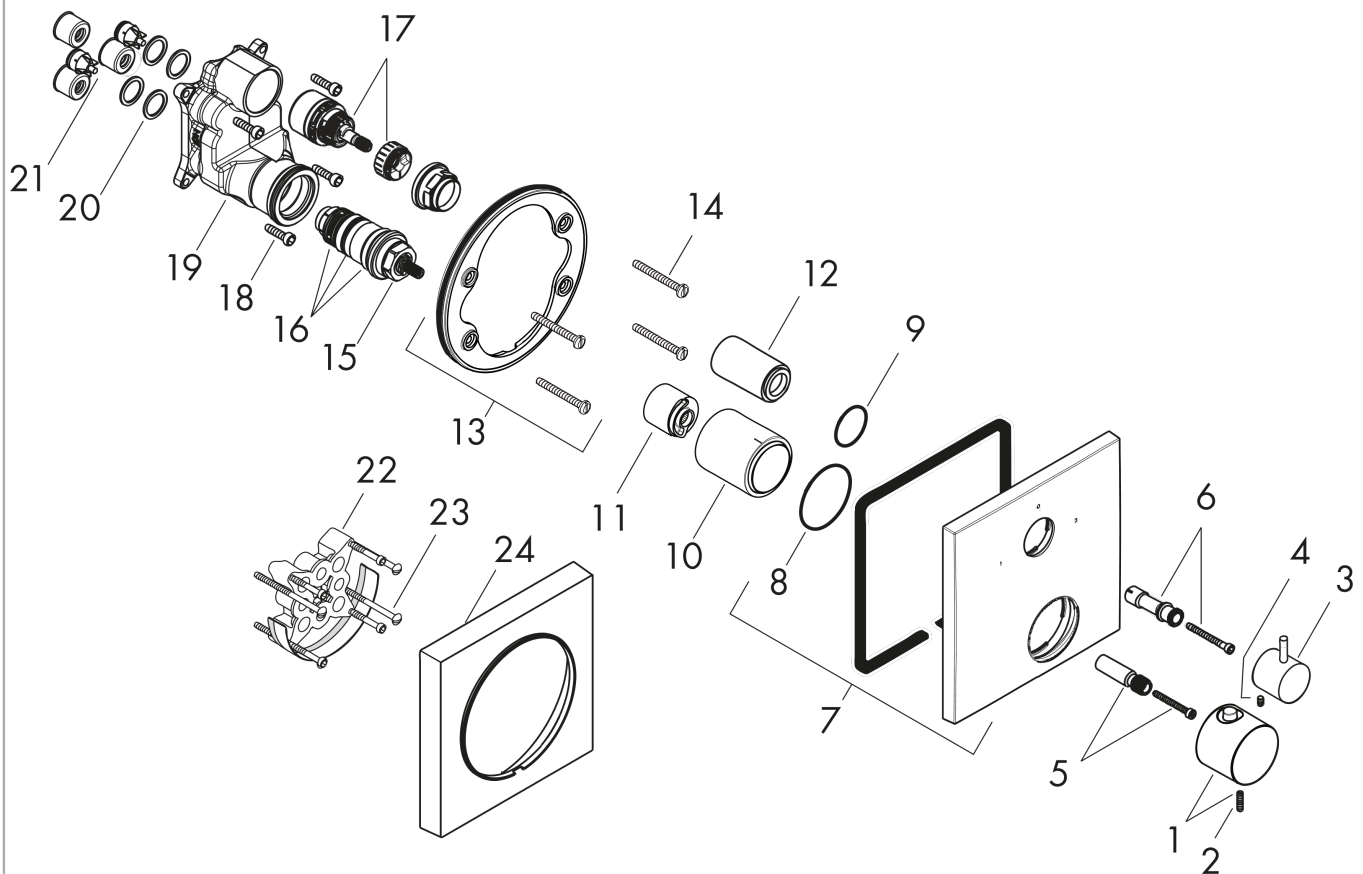


**AXOR Massaud**  
**Thermostatic Trim with Volume Control and Diverter**  
 Finishes : **chrome**    Part no. : **18750001**



Exploded drawing

Year of production: >08/13



**AXOR Massaud**  
**Thermostatic Trim with Volume Control and Diverter**  
 Finishes : **chrome** Part no. : **18750001**



## Spare parts list

Year of production: >08/13

Pos.	Description	Part no.	Price	PU
1	handle for thermostat	18097001	-	1
2	hollow set screw M4x16	97663000	-	1
3	handle	96520000	-	1
4	hollow set screw M4x8	97669000	-	1
5	adapter for handle	98701000	-	1
6	adapter for handle	96451000	-	1
7	escutcheon	98688000	-	1
8	O-ring 29x3	98371000	-	1
9	O-Ring 48x3	95508000	-	1
10	sleeve	98734000	-	1
11	safety set for temperature control	97334000	-	1
12	sleeve	95253000	-	1
13	holder for escutcheon	98793000	-	1
14	set of fixing screws	96454000	-	1
15	thermostat cartridge	94282000	-	1
16	sealing set	95037000	-	1
17	shut off unit with selector	98283000	-	1
18	set of screws	96525000	-	1
19	installation unit cpl.	92592000	-	1
20	O-ring 16x2	98133000	-	1
21	set of non return valves DW 15	97350000	-	1
22	extension 22 mm	97407000	-	1
23	set of fixing screws	97747000	-	1
24	extension 25 mm	13595000	-	1