

**AXOR Massaud**  
**Thermostatic Trim HighFlow**  
 Finishes : **chrome** Part no. : **18741001**



**Description**

**Features**

- Flow: 13.0 GPM (49.2 L/Min)
- Thermostatic cartridge
- Anti-scald 100° safety stop

**Item details**

List Price \$ 1,275.00

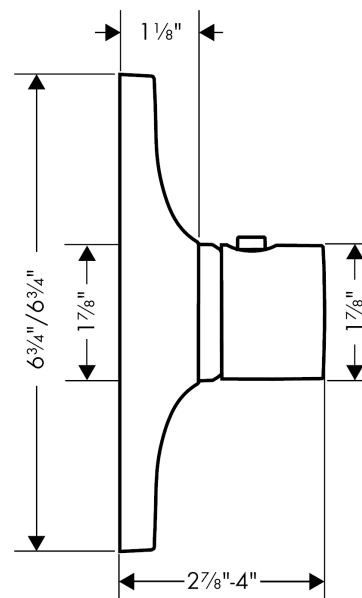
**Compliance**



**Product image**



**Scale drawing**

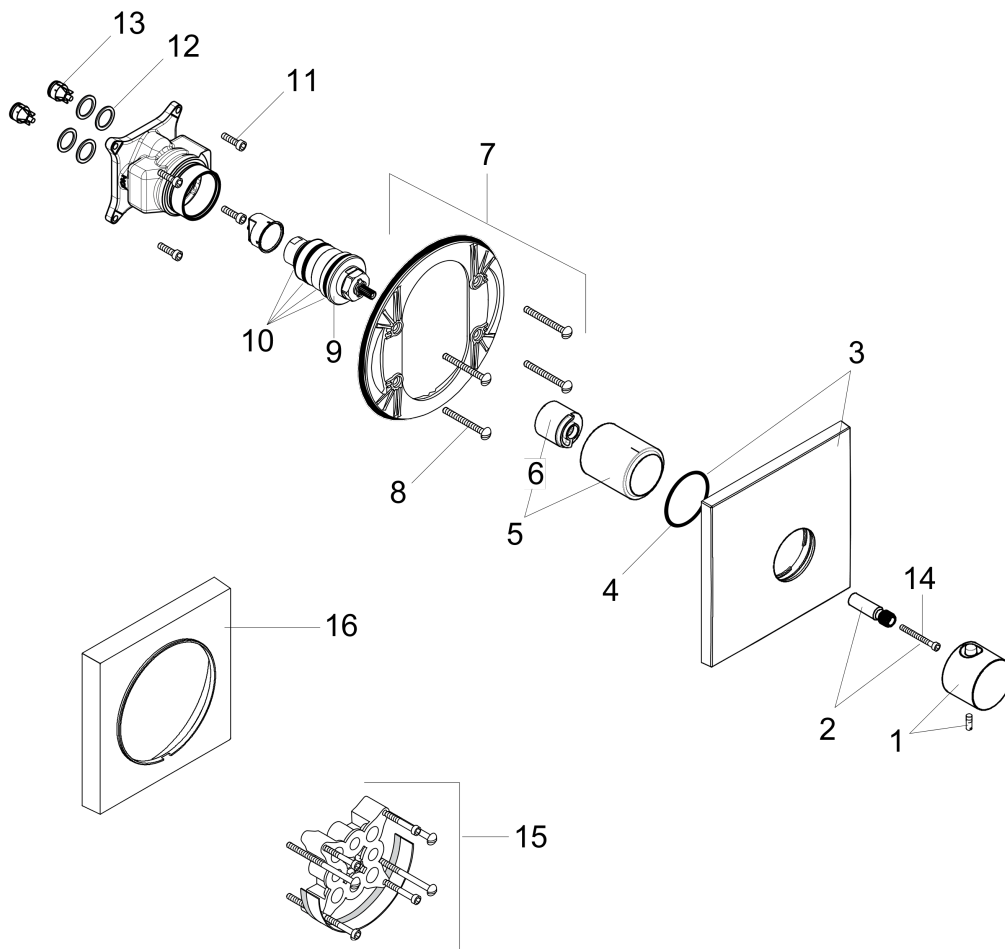


**AXOR Massaud**  
**Thermostatic Trim HighFlow**  
 Finishes : **chrome**    Part no. : **18741001**



Exploded drawing

Year of production: >06/09



**AXOR Massaud**  
**Thermostatic Trim HighFlow**  
 Finishes : **chrome** Part no. : **18741001**



### Spare parts list

Year of production: >06/09

Pos.	Description	Part no.	Price	PU
1	handle for thermostat	18097001	-	1
2	adapter for handle	98701000	-	1
3	escutcheon	98678000	-	1
4	O-ring 48x5	98174000	-	1
5	sleeve	98679000	-	1
6	safety set for temperature control	97334000	-	1
7	sub plate	96447000	-	1
8	set of fixing screws	96454000	-	1
9	thermostat cartridge	96633000	-	1
10	sealing set	96636000	-	1
11	set of screws	96525000	-	1
12	O-ring 16x2	98133000	-	1
13	set of non return valves DW 15	97350000	-	1
14	hexagon socket screw M4x35	92160000	-	1
15	extension 25 mm	13595000	-	1
16	extension 22 mm	97407000	-	1
a	base body	01850181	-	1