

**AXOR Massaud**  
**Single-Hole Faucet 110, 1.2 GPM**  
 Finishes : **chrome** Part no. : **18010001**



**Description**

**Features**

- Non-aerated stream
- Flow: 1.2 GPM (4.5 L/Min)
- Joystick ceramic cartridge

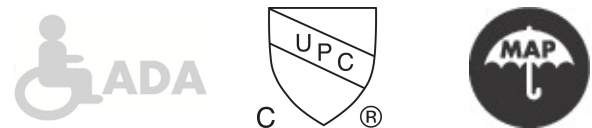
**Item details**

List Price \$ 1,297.00

**Technology**



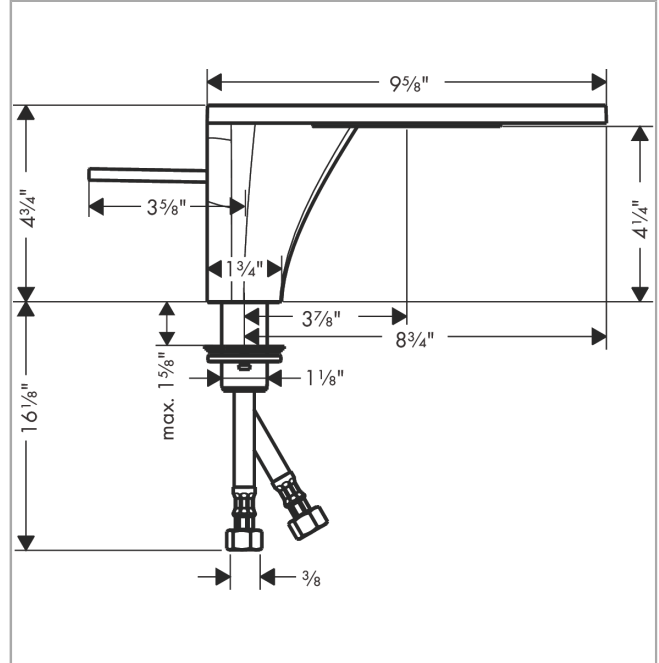
**Compliance**



**Product image**



**Scale drawing**

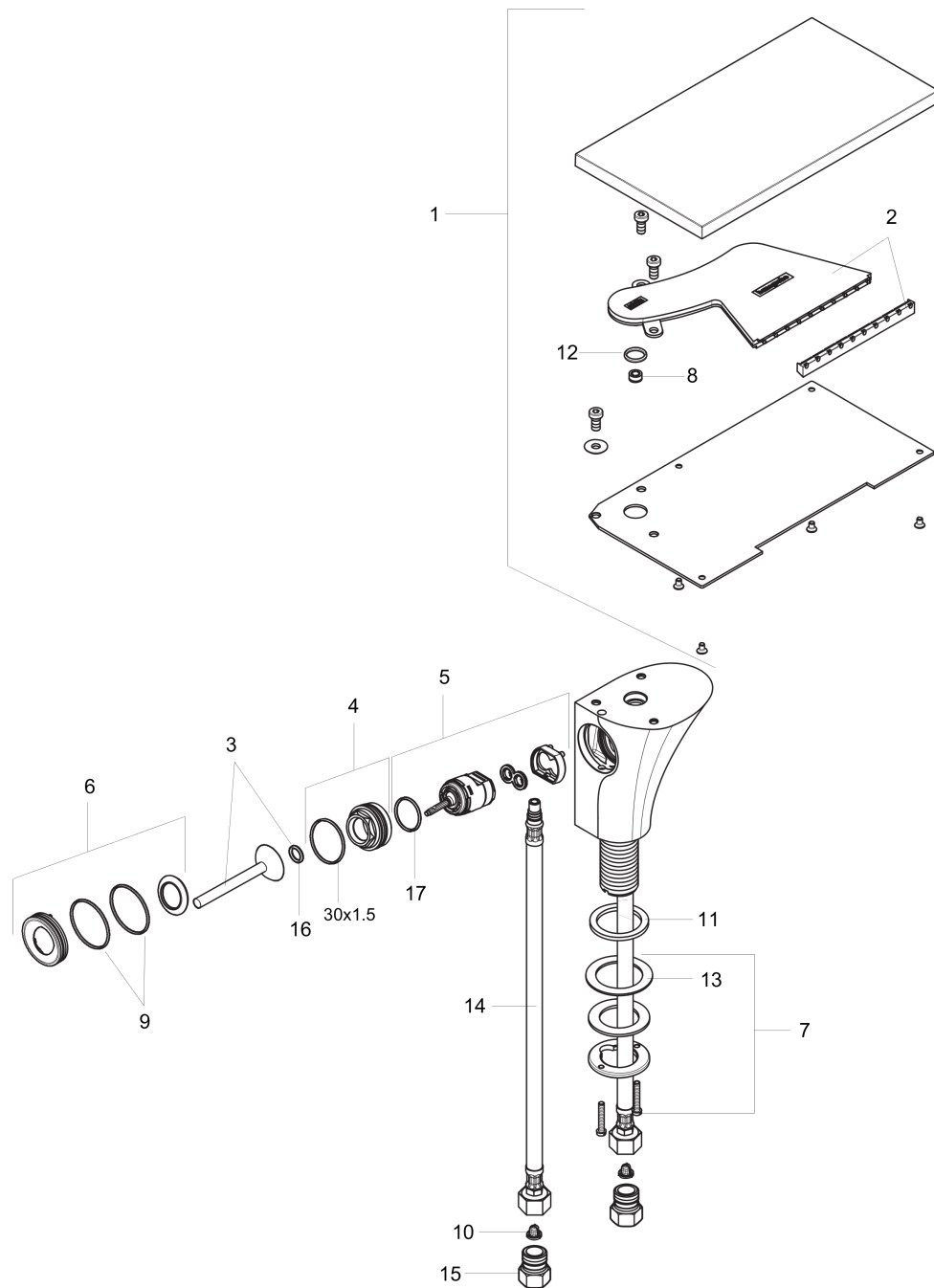


**AXOR Massaud**  
**Single-Hole Faucet 110, 1.2 GPM**  
 Finishes : **chrome** Part no. : **18010001**



Exploded drawing

Year of production: >07/16



**AXOR Massaud**  
**Single-Hole Faucet 110, 1.2 GPM**  
 Finishes : **chrome** Part no. : **18010001**



### Spare parts list

Year of production: >07/16

Pos.	Description	Part no.	Price	PU
1	plate for spout	98649000	-	1
2	spray former	97444000	-	1
3	handle	92490000	-	1
4	nut	95667000	-	1
5	cartridge, assy	96339000	-	1
6	escutcheon	92989000	-	1
7	fixing set for shut off unit	96078009	-	1
8	flow limiter (4 l/min)	98465000	-	1
9	O-ring 35x1,5	92114000	-	1
10	filter	97973000	-	1
11	flat seal	98749000	-	1
12	O-ring 12x2	98214000	-	1
13	lever collar	97548000	-	1
14	connection hose 17½" M8x0,75 G3/8	95141001	-	1
15	adapter for connection hose	95576001	-	1
16	O-ring 9x2	98119000	-	1
17	O-ring 21,95x1,78	95169000	-	1