

AXOR Starck Organic
Thermostatic Trim HighFlow, 5" x 5"
 Finishes : **chrome** Part no. : **12712001**



Description

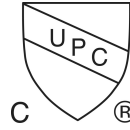
Features

- Flow: 16.0 GPM (60.6 L/Min)
- Thermostatic cartridge
- Anti-scald 100° safety stop

Item details

List Price \$ 891.00

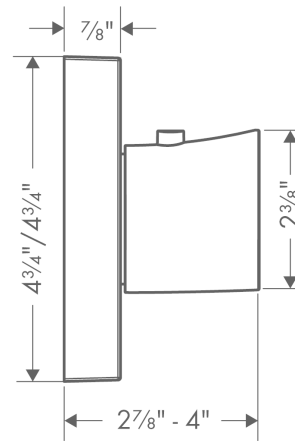
Compliance



Product image



Scale drawing

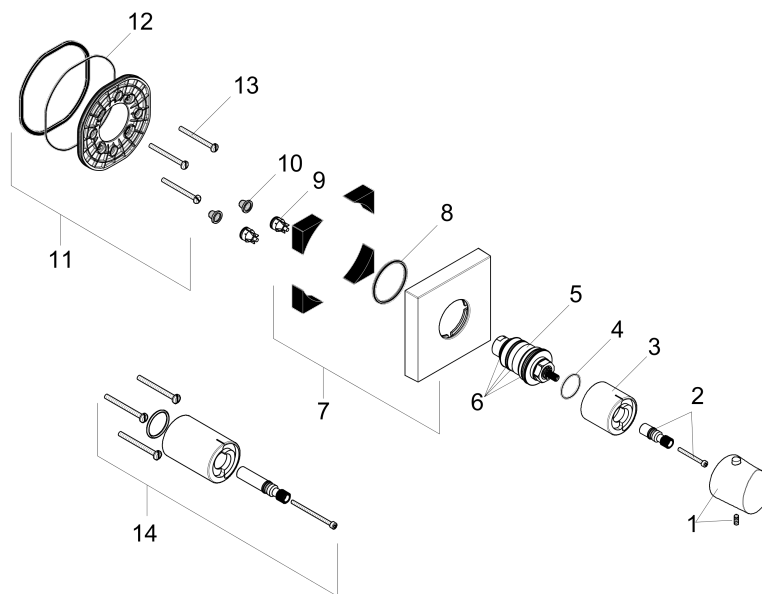


AXOR Starck Organic
Thermostatic Trim HighFlow, 5" x 5"
 Finishes : **chrome** Part no. : **12712001**



Exploded drawing

Year of production: >03/13



AXOR Starck Organic
Thermostatic Trim HighFlow, 5" x 5"
 Finishes : **chrome** Part no. : **12712001**



Spare parts list

Year of production: >03/13

Pos.	Description	Part no.	Price	PU
1	handle for thermostat	98313001	-	1
2	adapter for handle	98321000	-	1
3	sleeve	98320000	-	1
4	O-ring 28x2,5	98209000	-	1
5	thermostat cartridge	96633000	-	1
6	sealing set	96636000	-	1
7	escutcheon	95467001	-	1
8	O-ring 48x4	98414000	-	1
9	set of non return valves DW 15	97350000	-	1
10	filter	97973000	-	1
11	sub plate	95450000	-	1
12	O-ring 100x2,5	98417000	-	1
13	set of fixing screws	96454000	-	1
14	extension 25 mm	12790000	-	1
a	base body	10754181	-	1