

**AXOR Starck**  
**Electronic Faucet with Temperature Control**  
 Finishes : **chrome** Part no. : **10101001**



**Description**

**Features**

- Aerated spray
- Temperature control
- Infrared sensor
- Battery operated (battery type 6V CR-P2, included) with low battery indicator
- Temporary water stop feature for cleaning
- 3/8" hoses

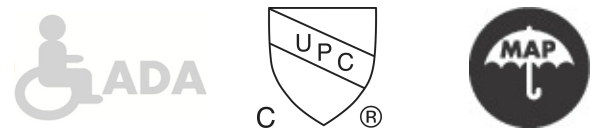
**Item details**

List Price \$ 1,141.00

**Technology**



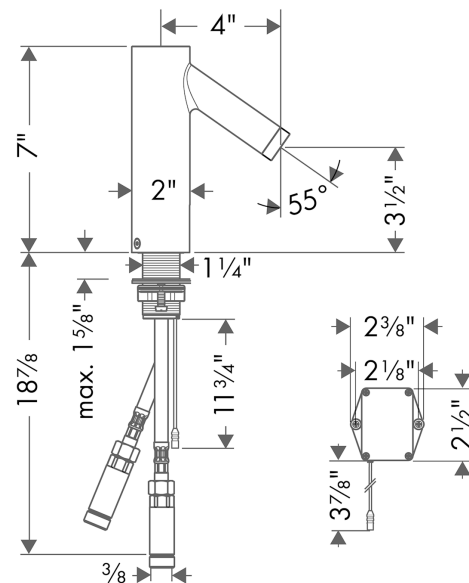
**Compliance**



**Product image**



**Scale drawing**

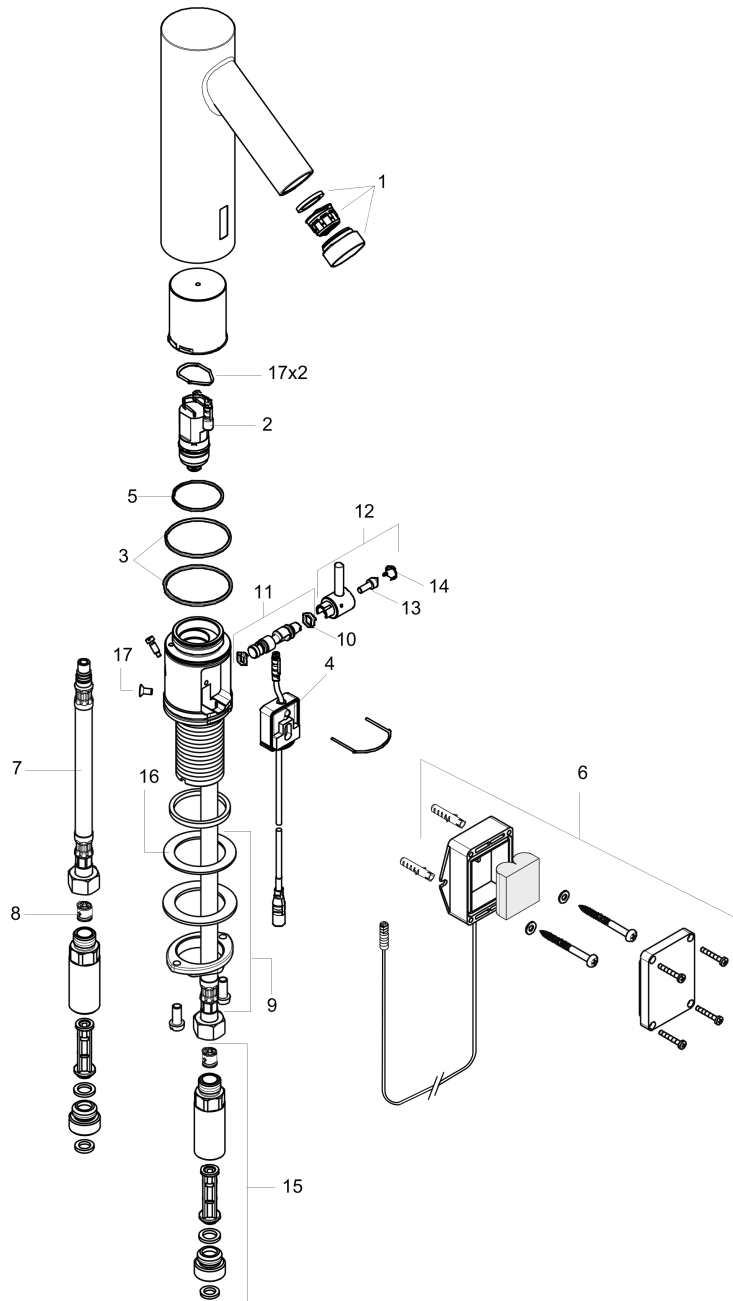


**AXOR Starck**  
**Electronic Faucet with Temperature Control**  
 Finishes : **chrome**    Part no. : **10101001**



Exploded drawing

Year of production: >08/18



**AXOR Starck**  
**Electronic Faucet with Temperature Control**  
 Finishes : **chrome** Part no. : **10101001**



### Spare parts list

Year of production: >08/18

Pos.	Description	Part no.	Price	PU
1	aerator M24x1 (1,9 l/min)	93081000	-	1
2	solenoid valve	95654000	-	1
3	O-ring 41x2	98212000	-	1
4	electronics	92346000	-	1
5	O-ring 31x2	98204000	-	1
6	battery box	98801000	-	1
7	connection hose 450 mm	92345001	-	1
8	non return valve DW 10	96456000	-	1
9	fixing set (Ø 32)	13961000	-	1
10	O-ring 6x2	98458000	-	1
11	mixing shaft	92377000	-	1
12	sliding gear lever	92378000	-	1
13	hexagon socket screw M4x10	97661000	-	1
14	cover cap	95433000	-	1
15	back flow preventor cartridge with microfilter	92297001	-	1
16	lever collar	97548000	-	1
17	screw	93272000	-	1
a	fixation extension 35 mm	13898000	-	1