

ST. CLAIR 13-1505A-W-LP



RECTANGULAR SEMI-RECESSED VESSEL SINK



PRODUCT FEATURES:

- Fine fireclay
- Avenue white
- Prim Rim profile
- Single hole faucet drilling
- Rear overflow
- Template supplied
- Faucet not included



OVERALL DIMENSIONS:

22⁵/₈" (W) x 17³/₄" (D) x 7" (H)

575mm (W) x 450mm (D) x 180mm (H)



COMPLIANCE CERTIFICATIONS:

Meets or exceeds the following :

IAPMO cUPC

ASME A112.19.2 / CSA B45.1



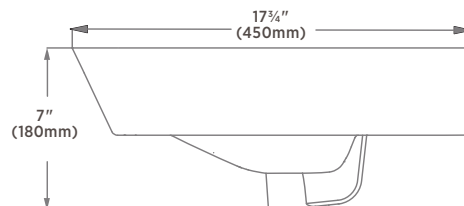
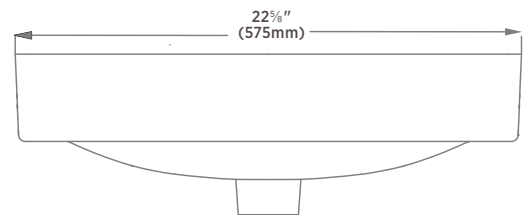
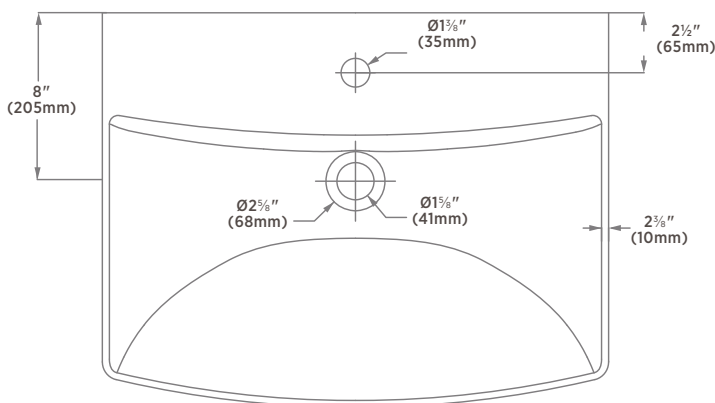
SHIPPING:

Cube: 2.51

GW: 34.35 lbs

Notes:

Dimensions of fixtures are nominal and may vary within the range of tolerance established by ASME standard A112.19.2. These measurements are subject to change or cancellation. No responsibility is assumed for use of superseded or voided pages.



avenue

12.19

5970 Chedworth Way
Unit B, Mississauga
Ontario, Canada
L5R 4G5

www.avenuecanada.com