

# Avanity

STEVENS-V60-BK  
STEVENS-V60-WD

## Features

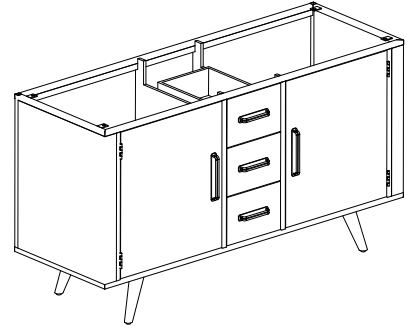
- Solid acacia wood, MDF
- Black metal frame and hardware
- 2 soft-close doors, 2 interior shelves
- 3 soft-close drawers
- Black metal legs

## Colors

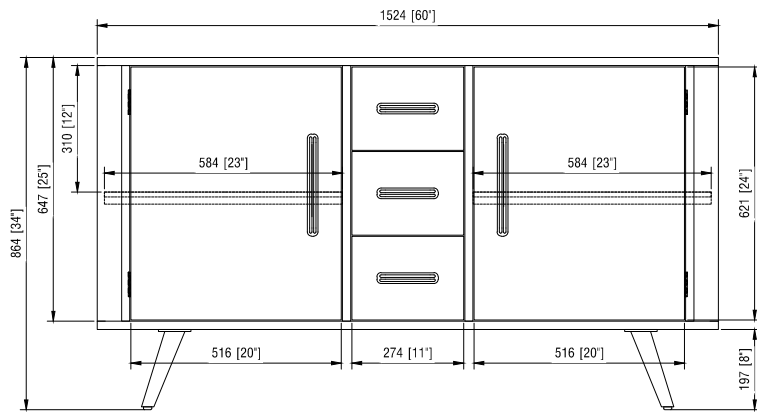
- Rustic Black
- Rustic Wood

## Nominal Dimension

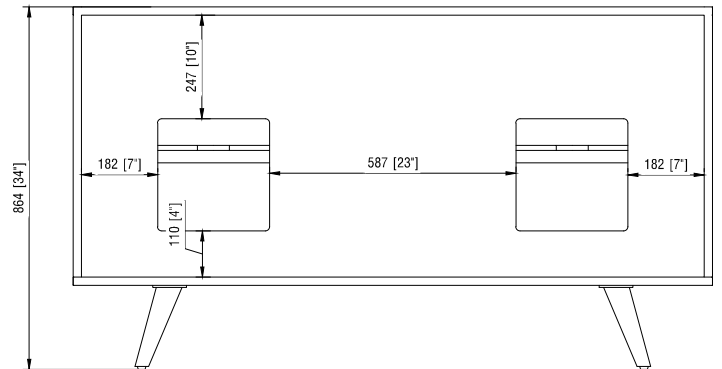
- 60W x 21D x 34H inches | 1524 x 534 x 864 mm



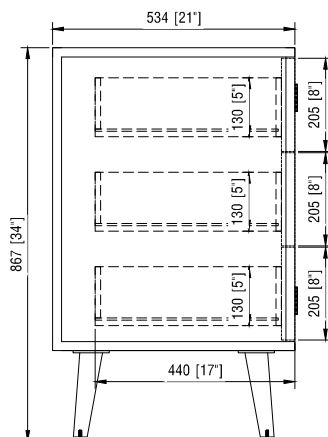
## Product Diagrams



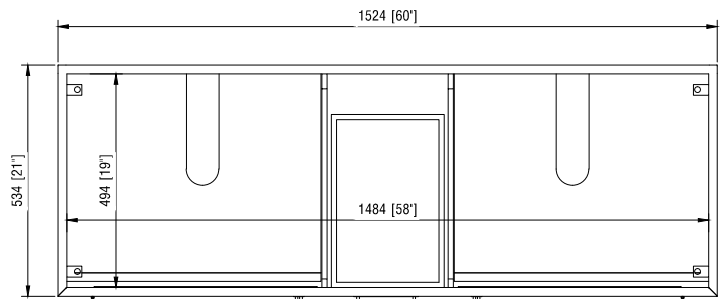
Front / Devant



Back / Derrière



Side / Côté



Top / Haut