

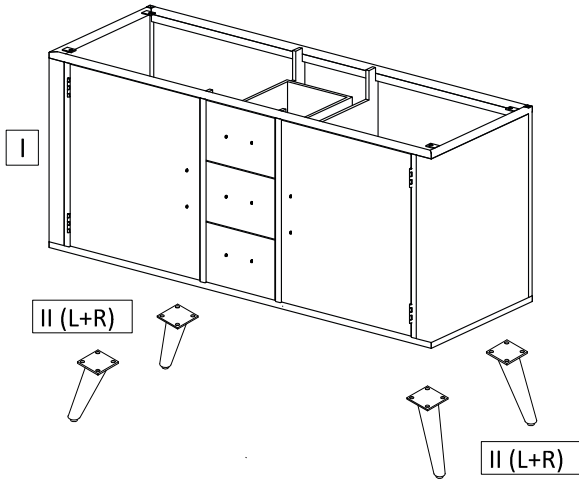
SUGGESTED TOOLS AND MATERIALS / *OUTILS ET MATÉRIAUX SUGGÉRÉ*



Tape Measure / mètre à ruban

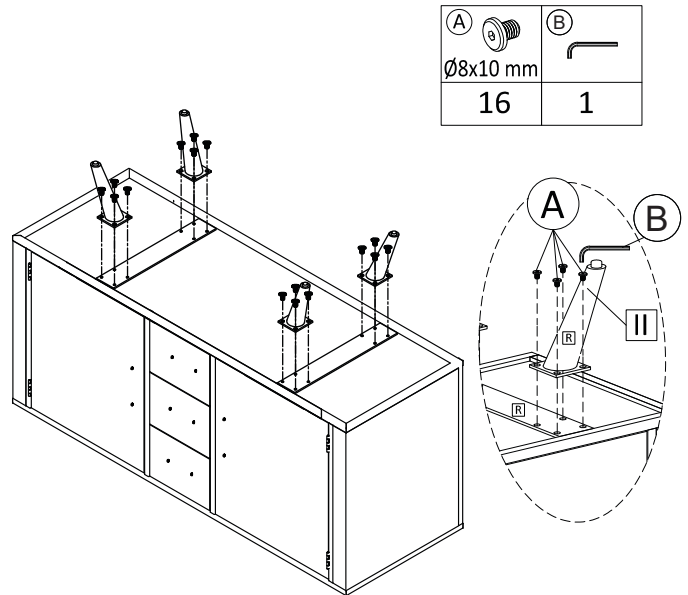
INSTALLATION INSTRUCTIONS / *LES INSTRUCTIONS D'INSTALLATION*

**1**



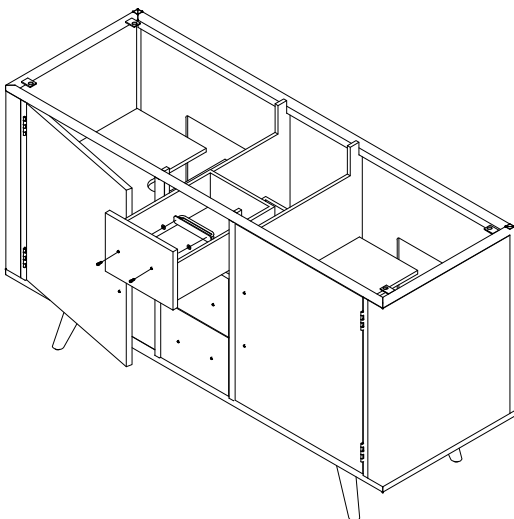
Remove vanity from box and examine vanity for any defects or damage.

**2**



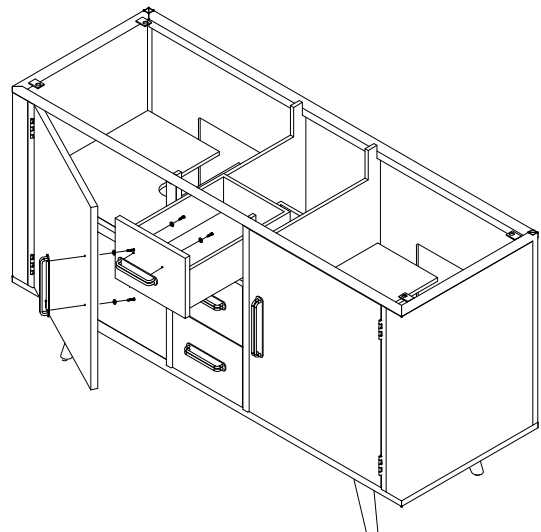
Install legs into cabinets.

**3**



Remove the hands

**4**



Install the hands

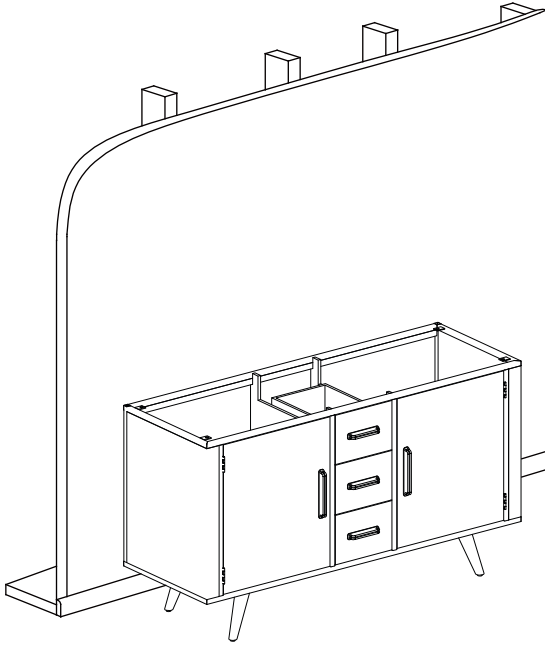
SUGGESTED TOOLS AND MATERIALS / *OUTILS ET MATÉRIAUX SUGGÉRÉ*



Tape Measure / *mètre à ruban*

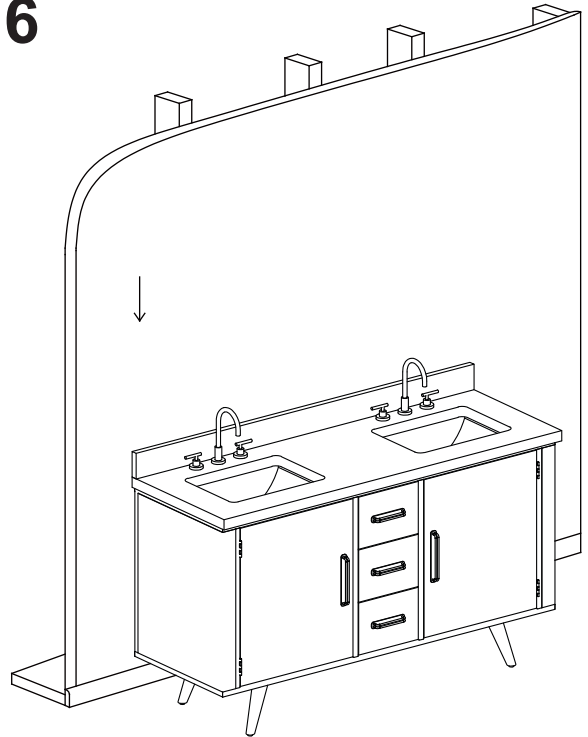
INSTALLATION INSTRUCTIONS / *LES INSTRUCTIONS D'INSTALLATION*

5



Carefully place vanity against wall.

6



Install vanity top according to manufacturer's directions.