

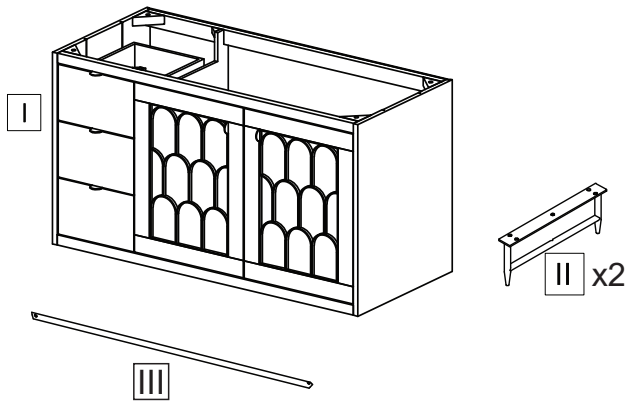
SUGGESTED TOOLS AND MATERIALS / OUTILS ET MATÉRIAUX SUGGÉRÉ



Tape Measure / mètre à ruban

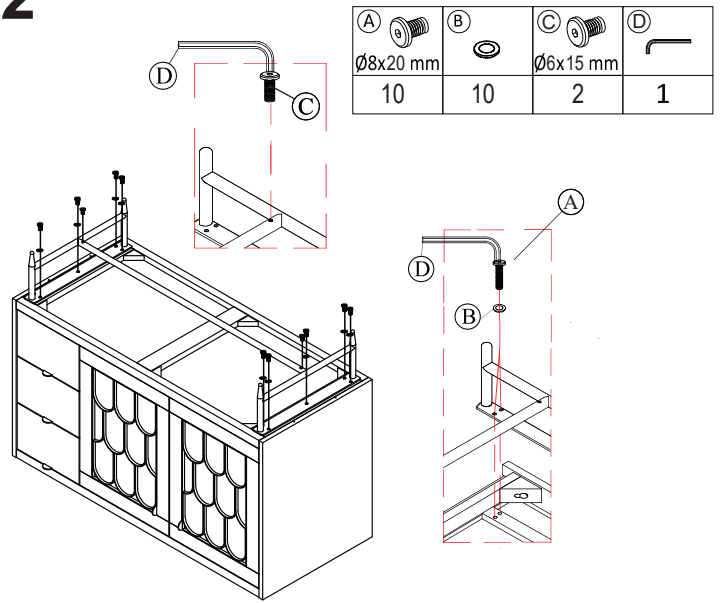
INSTALLATION INSTRUCTIONS / LES INSTRUCTIONS D'INSTALLATION

1



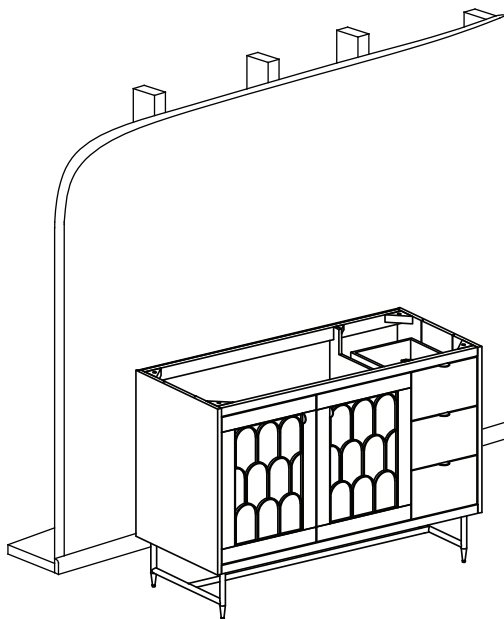
Remove vanity from box and examine vanity for any defects or damage.

2



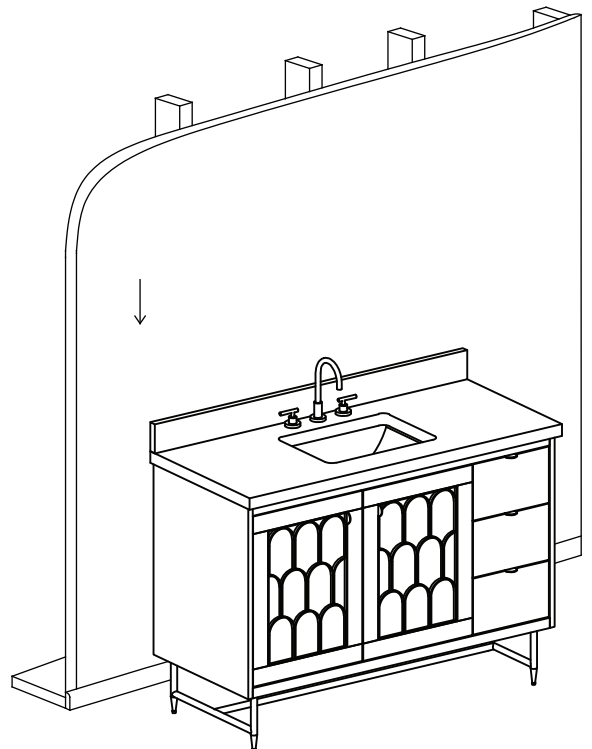
Install legs into cabinets.

3



Carefully place vanity against wall.

4



Install vanity top according to manufacturer's directions.