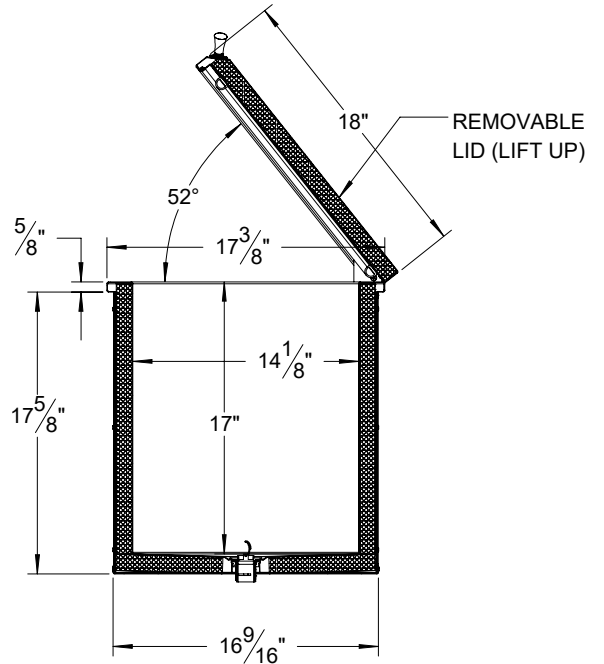
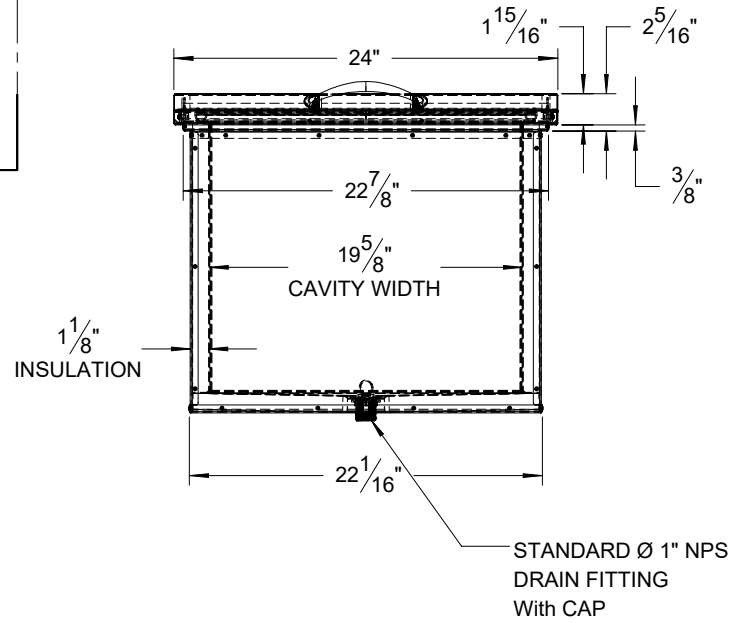
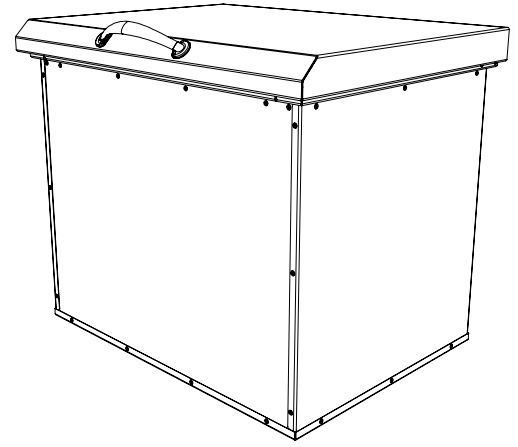
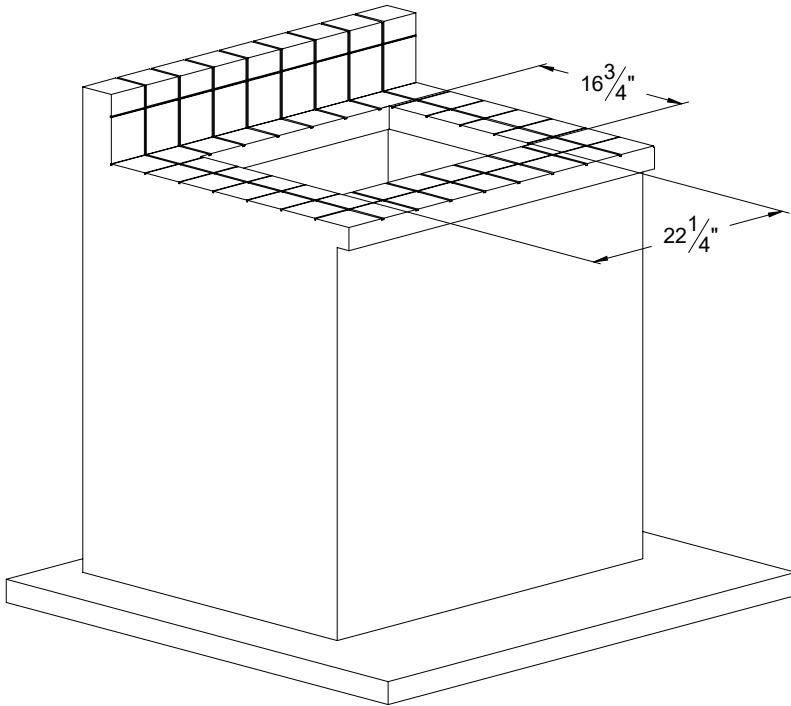


TYPICAL ARTP-IC INSTALLATION

COUNTERTOP CUTOUT REQUIREMENTS



SPECIFICATIONS:

- 1" INSULATION ON ALL SURFACES
- VOLUME 2.7 CU.FT. (20.4 GALLONS)
- Ø 1" NPS STANDARD HOUSEHOLD DRAIN.