

AX STEAM GENERATOR

SPECIFICATION SHEET

MODEL: AX SERIES WITH A6 AND A3 TOUCH CONTROLS AND 3DTX AUTO DRAIN

Performance Features of Amerec AX Generators

- Sequential Temperature Control delivers a more consistent flow of Soft Steam and a more stable, comfortable steam bath experience.
- 3 sizes handle a range of steam bath sizes up to 550 cubic feet.
- AX generators can be connected together to heat steam baths larger than 550 cubic feet.
- Warm Start, a feature used in Day Spas and for use with A6 control only, maintains a tank water temperature at just below boiling, which reduces heating time by 2-3 minutes. Warm Start cables must be ordered separately.
- Exterior plug-in jacks allow quick and easy connection of control and sensor cables.
- 240 and 208 volt models can be wired in the field for 1 or 3 phase power.
- Stainless steel tank and water level probes provide years of trouble-free operation.
- Removable heating elements provide easy and economical service.

Codes/Standards

- ETL listed for USA and Canada
- Tested to IEC standards



A6 Touch Screen Control Features

- Low profile surface mount or recessed mount, inside or outside the steambath.
- Intelligent Start pre-heats bath to be ready when needed.
- Temperature control and time duration adjustments.
- Controls chromatherapy lighting and fragrance injector options.
- Monthly and weekday calendar programming.
- Stores favorite bath settings.
- "amerecConnect" Wi-Fi app controls bath options.
- Smart home system interface.
- Multiple languages.
- Energy saving function – standby mode.
- Dimensions 3.5"W x 5.09"H x 0.53"D.



A3 Control Panel Features

- On/Off, temperature and duration time control.
- Delayed start, 1-10 hours.
- Light switch.
- Dimensions 3.38"W x 4.25"H x 0.3"D.



Sizing and Rough-In Guide

Model	Steam Room Cu Ft				1 Phase		3 Phase	
	Min.	Max.	Voltage	Watts	Amps	Breaker	Amps	Breaker
AX7.5	80	200	240	7500	31	40	18	30
AX7.5	80	200	208	7510	36	50	21	30
AX11	175	375	240	11000	46	60	26	40
AX11	175	375	208	11240	18 & 36	30 & 50	31	40
AX14	350	550	240	14000	21 & 38	30 & 50	34	50
AX14	350	550	208	13580	24 & 42	30 & 50	38	50

To calculate the generator size required, multiply the length x width x height of the steam room.

For rooms made of natural stone, multiply the cubic volume by 1.75 (stone requires more power to heat)

(Maximum recommended ceiling height is 8 feet.)

For rooms exceeding 550 cubic feet, generators may be ganged together to achieve required capacity.

Each generator will require its own power source as described in the chart above.

Example: Room size 750 cu ft, power available 240V 1 phase:
Use two AX11 generators.

Requires one 60A circuit for each AX11 steamer (total of two circuits)

Example: Room size 925 cu ft power available 240V 1 phase:

Use one AX11 (requires one 60A circuit) plus one AX14 (requires 2 circuits, one 30A + one 50A)

One control required, regardless of quantity of generators. Additional controls may be connected

AX steamers are compatible with Amerec's A6 control and or A3 control.
Dual control options: A6+Wi-Fi app, A6+A6, A6+A3.

(AX steamers are compatible with Amerec's A6 control or A3 control.)

Required Steam Head

CFSH, Available in Chrome, Polished Brass, Polished Nickel, Brushed Nickel, Oil Rubbed Bronze, and white.

Electrical Service Information

Dedicated circuit required. See specification chart.
All electrical wiring to be installed by a licensed electrician in accordance with local and national codes.

Plumbing Information

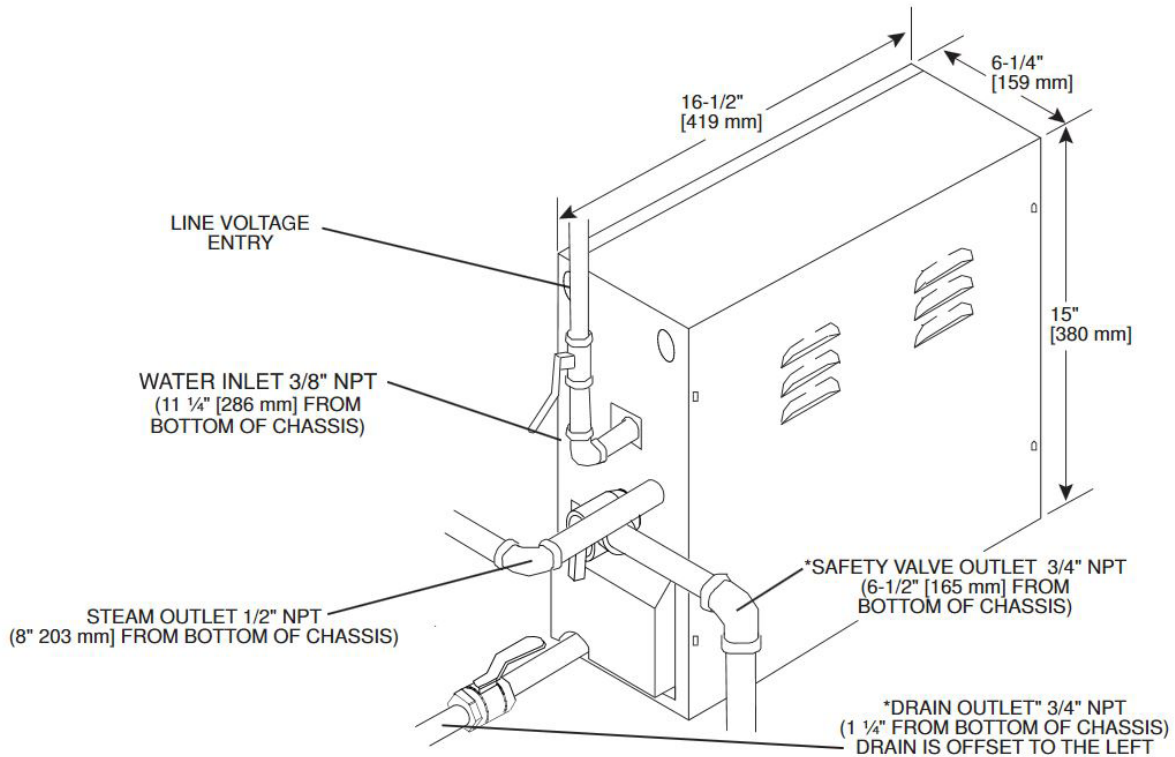
- Water Inlet – 3/8" NPT
- Pressure Relief Valve – 3/4" NPT
- Steam Outlet – 1/2" NPT
- Drain Outlet – 3/4" NPT
- Follow local plumbing codes.

Generator Shipping Weight & Dimensions

AX 7.5 - AX 14: 35 Lbs.
Shipping Box: 22" x 20" x 10-1/2"

Installation Information

- Mount in dry, well ventilated area, not exposed to freezing temperatures.
- Mount generator level, on its base or hung on a wall.
- Provide adequate access serviceability.
- Run 3/8" copper cold water line. Install shut off valve, but do not use a saddle valve.
- Run 1/2" copper steam line, insulate lines longer than 20 ft. in length. Slope pipe to avoid condensation build up. Do not create traps.
- Run 3/4" copper pressure relief line and terminate in accordance with local and national codes.
- Run 3/4" copper drain line, sloping pipe to gravity flow drain. Do not terminate drain into the steam room.
- Steam head to be mounted 18" above floor or 6" above rim of bathtub and as far away from seating area as possible.



AMEREC
P.O. Box 2258 | 17683 128th Place NE, #C | Woodinville, WA 98072, USA
Toll-Free 1-800-331-0349
amerec@amerec.com | www.amerec.com

Amerrec reserves the right to change specifications and design without notice.
© 2017 Amerrec Steam

01/17

amerec[®]
STEAM. SAUNA. SOLUTIONS.