

R30K ON/OFF CONTROL FOR USE WITH AMEREC AK STEAM GENERATORS

SAVE THIS MANUAL

FOR THE SAFETY OF YOU AND YOUR FAMILY PLEASE READ THE WARNINGS TO THE RIGHT AND ALL INSTRUCTIONS BEFORE USING YOUR STEAMBATH.

POST "WARNING" LABEL OUTSIDE STEAMBATH FOR SAFETY WARNINGS. REQUIRED POSTING ON DOOR OF STEAM ROOM OR ADJACENT TO DOOR FOR ALL COMMERCIAL INSTALLATIONS.

Thank you for purchasing your new AMEREC steam generator. If we can be of any assistance do not hesitate to call our Service Department at 1-800-363-0251 or 1-425-951-1120.

SECTION 1: OPERATION OF YOUR R30K AND AMEREC GENERATOR

The R30K control does not provide automatic temperature control. Use the on/off button to control the temperature as desired by turning the steam bath on and off as needed.

Note: *the R30K may be used as an extra switch when a temperature regulating K60 and/or KT60 control is installed. Contact Technical support for further information.*

1. Ensure that both the power circuit and water supply to the generator are ON.
2. To activate the steam, press the R30K control's On/Off switch. In 10 to 20 minutes the room should be comfortable enough to begin taking a steam bath. The unit will turn off automatically in 30 minutes.
3. Remove clothing and jewelry.
4. Enter the steam room and close the door to prevent steam from escaping.
5. Relax and enjoy the warm steam releasing tense muscles and refreshing the entire body. The average time spent taking a steam bath is approximately 10 minutes.
6. Pressing the control while the steam generator is operating will shut it off.
7. If your steam room has a shower, a pleasant experience can be achieved by taking a warm shower while in the steam. You will find the contrast from water to steam quite invigorating.

WARNING

Electrical grounding is required on all Steam Generators.

All electrical supplies should be disconnected when servicing a Steam Generator.

All wiring must be installed by a licensed electrical contractor in accordance with local and national codes.

All plumbing must be installed by a licensed plumber in accordance with all applicable local and national codes.

Steamers are for indoor use only.

Steamers are not for space-heating purposes.

Be certain that steam bath enclosures are properly sealed to avoid water damage from escaping steam. It is recommended that 100% silicone caulk be used to seal all pipes and fittings. Steam must be prevented from escaping into the wall cavity.

Never shut off the water to an appliance that is in use.

Electric Shock Hazard
High Voltage exists within this equipment.

There are no user serviceable parts in this equipment.

WARNING

REDUCE THE RISK OF OVERHEATING AND SCALDING

1. Exit immediately if uncomfortable, dizzy or sleepy. Staying too long in a heated area is capable of causing overheating.
 2. Supervise children at all times.
 3. Check with a doctor before use if pregnant, diabetic, in poor health or under medical care.
 4. Breathing heated air in conjunction with consumption of alcohol, drugs or medication is capable of causing unconsciousness.
- CAUTION!** Do not contact steam head. Stay at least 12" away from hot steam escaping from the steam outlet.

REDUCE THE RISK OF SLIPPING AND FALL INJURY

Use care when entering or exiting the steam room, floor may be slippery.

25-21-02
3110-05 NOTE: For additional safety instructions, see owner's manual.



IMPORTANT SAFETY INSTRUCTIONS**1. READ AND FOLLOW ALL INSTRUCTIONS.**

2. **WARNING** - To reduce the risk of injury, do not permit children to use this product unless they are closely supervised at all times.
3. **WARNING** - To reduce the risk of injury:
 - a. The wet surfaces of steam enclosures may be slippery. Use care when entering or leaving.
 - b. The steam head is hot. Do not touch the steam head and avoid the steam near the steam head.
 - c. Prolonged use of the steam system can raise excessively the internal human body temperature and impair the body's ability to regulate its internal temperature (hyperthermia). Limit your use of steam to 10 - 15 minutes until you are certain of your body's reaction.
 - d. Excessive temperatures have a high potential for causing fetal damage during the early months of pregnancy. Pregnant or possibly pregnant women should consult a physician regarding correct exposure.
 - e. Obese persons and persons with a history of heart disease, low or high blood pressure, circulatory system problems, or diabetes should consult a physician before using a steambath.
 - f. Persons using medication should consult a physician before using a steambath since some medication may induce drowsiness while other medications may affect heart rate, blood pressure and circulation.
4. **WARNING** - Hyperthermia occurs when the internal temperature of the body reaches a level several degrees above the normal body temperature of 98.6 °F (37°C). The symptoms of hyperthermia include an increase in the internal temperature of the body, dizziness, lethargy, drowsiness and fainting. The effect of hyperthermia include:
 - a. Failure to perceive heat:
 - b. Failure to recognize the need to exit the steambath:
 - c. Unawareness of impending risk:
 - d. Fetal damage in pregnant women:
 - e. Physical inability to exit the steambath: and
 - f. Unconsciousness.

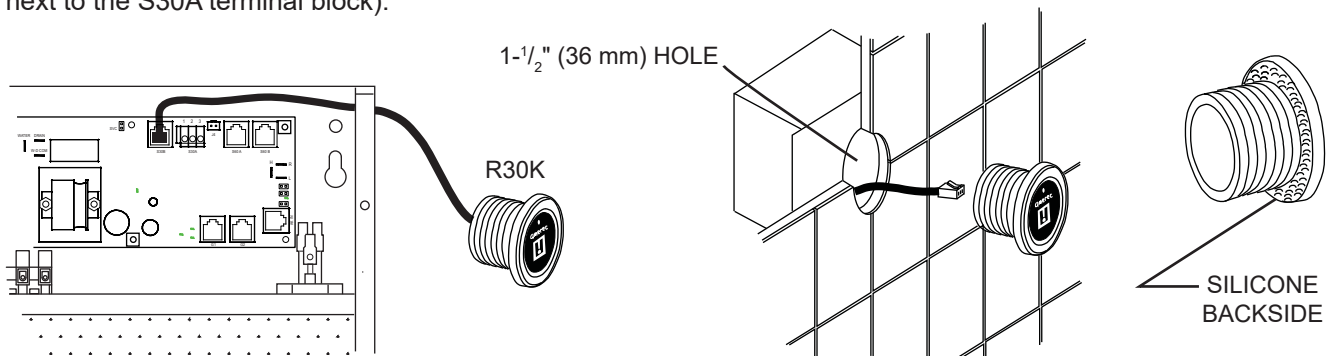
WARNING - The use of alcohol, drugs or medication can greatly increase the risk of hyperthermia.

SAVE THESE INSTRUCTIONS

SECTION 2: INSTALLATION OF THE R30K: 2017 and later AK Generators

The R30K low voltage control can be mounted directly to a finished wall either inside or outside the steam room. The R30K does not control the temperature in the steam room.

1. Use a 1-1/2" (36 mm) hole saw to drill a hole in the finished steam room wall where the control is to be mounted (the control cable should already be roughed-in to this location).
2. Locate the control cable, pull it out through the mounting hole and plug it into the connector on the back of the control board, inside the housing.
3. Run a bead of 100% silicone caulk around the perimeter on the back of the control housing. Insert the control into the wall cavity. Tape the control in place until the silicone has set.
4. Route the R30K control's cable to the steamer circuit board and plug it in to the S30B jack (top edge of the circuit board next to the S30A terminal block).

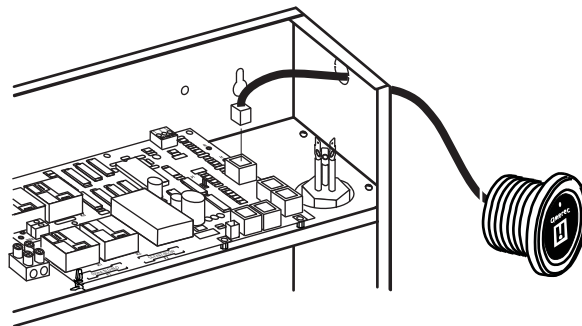


SECTION 2: INSTALLATION OF THE R30K: AK & 3K Generators Built Before March, 2017

New model AK generators have their circuit boards mounted on the back panel of the generators. Earlier AK and 3K generators have their circuit boards mounted on the generator's shelf. *All operations of both versions are otherwise identical.*

For installation in an older steam generator, install the R30K same as in steps 1 - 3 in the new AK Instructions above then"

4. Route the R30K control's cable to the steamer circuit board and plug it in to the S30B jack (near center on the right end of the circuit board).



SECTION 3: MAINTENANCE OF THE AK SERIES

The steam generator, steam head, fittings and plumbing connections should be inspected at least annually for water leaks and damage.

The AK steam generator is supplied with a drain valve for flushing sediments from the generator tank. This procedure should be scheduled monthly or more often depending on local water conditions and steam bath usage.

FLUSHING PROCEDURE

1. The generator should be cool.
2. Turn control on.
3. Open the drain valve.
4. The unit will drain without heating the water.
5. Allow the water to run 10 minutes.
6. Close the drain valve

SECTION 3: TROUBLESHOOTING GUIDE

The Troubleshooting Guide below is meant as a general aid only. There are no user serviceable parts in the generator. All repairs should be performed by a qualified service person. For additional assistance or to find the factory authorized service person nearest you, call Technical Support.

| SYMPTOMS | PROBABLE CAUSES | ACTION TO BE TAKEN |
|---|---|---|
| Control "ON" (Control Lighted) No Steam | No water to generator or Control circuit is faulty or Generator is faulty | 1. Wait at least 10 minutes after turning on control and generator 2. Verify that the water is on 3. Verify that the generator's drain valve is closed 4. If the above steps do not disclose the problem, turn off the generator's circuit breaker and contact Support |
| Control "OFF" (Control light "OFF" Unit makes steam | Control circuit faulty or Generator is faulty | 1. Turn off the generator's circuit breaker and contact Support |
| Water runs out steam head | Generator is faulty | 1. Turn off the water to the generator's and the generator's circuit breaker and contact Support |

amerec

17683 128th Place NE, Bldg C

Woodinville, WA 98071 USA

Phone 1-425-951-1120

1-800-363-0251

email support@amerec.com