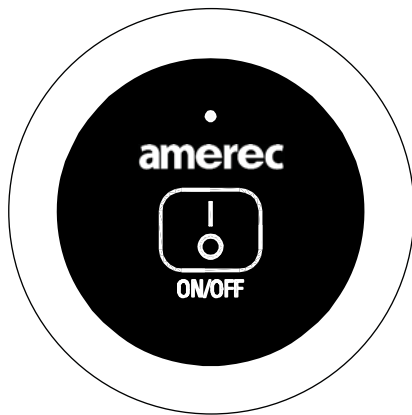


# amerec R30i Control Installation & Owners Manual



## Bath On/Off Control for Amerec AK Steambath Generators

*Steambath ON/OFF control with no temperature control.*

**FOR THE SAFETY OF YOU AND YOUR FAMILY PLEASE  
READ THE WARNINGS TO THE RIGHT AND ALL  
INSTRUCTIONS BEFORE USING YOUR STEAMBATH.**

**POST "STEAMBATH INSTRUCTIONS" LABEL OUTSIDE  
THE STEAMBATH FOR SAFETY WARNINGS.**

### SAVE THIS MANUAL

Thank you for purchasing your new Amerec steam generator. If we can be of any assistance do not hesitate to call Technical Support at:

1-425-951-1120 or **1-800-363-0251** or email us at **Support@amerec.com**.

#### SECTION 1: INSTALLATION

The low voltage control can be mounted up to 75 feet (23 m) from the generator either inside or outside the steam room. We recommend the control be located inside the steam room so it can be used to turn the steam generator on and off during a steam bath to control the bath temperature. Two controls may be wired in parallel to provide controls both inside and outside the steam room. Contact Support at 1-425-951-1120 or 1-800-363-0251 or support@amerec.com for assistance.

1. **Control Cable Rough-In:** Run the 25 feet (7,6 m) control cable (provided) from the control location through 1/2" (12 mm) holes in the wall studs or ceiling joists to the generator.

*Note: 1) Do not staple through or damage wires.*

*2) Label or color code wires for proper circuit board to control connection orientation. (See diagram 3)*

2. **Control Cable at the Generator:** To prepare the steam generator, make certain that power to the steamer is disconnected then remove the steamer's cover.

### WARNING

Electrical grounding is required on all Steam Generators.

All electrical supplies should be disconnected when servicing a Steam Generator.

All wiring must be installed by a licensed electrical contractor in accordance with local and national codes.

All plumbing must be installed by a licensed plumber in accordance with all applicable local and national codes.

Steamers are for indoor use only.

Steamers are not for space-heating purposes.

Be certain that steam bath enclosures are properly sealed to avoid water damage from escaping steam. It is recommended that 100% silicone caulk be used to seal all pipes and fittings. Steam must be prevented from escaping into the wall cavity.

Never shut off the water to an appliance that is in use.

Electric Shock Hazard  
High Voltage exists within this equipment.

There are no user serviceable parts in this equipment.

#### WARNING

##### REDUCE THE RISK OF OVERHEATING AND SCALDING

1. Exit immediately if uncomfortable, dizzy or sleepy. Staying too long in a heated area is capable of causing overheating.
2. Supervise children at all times.
3. Check with a doctor before use if pregnant, diabetic, in poor health or under medical care.
4. Breathing heated air in conjunction with consumption of alcohol, drugs or medication is capable of causing unconsciousness.

**CAUTION!** Do not contact steam head. Stay at least 12" away from hot steam escaping from the steam outlet.

##### REDUCE THE RISK OF SLIPPING AND FALL INJURY

Use care when entering or exiting the steam room, floor may be slippery.

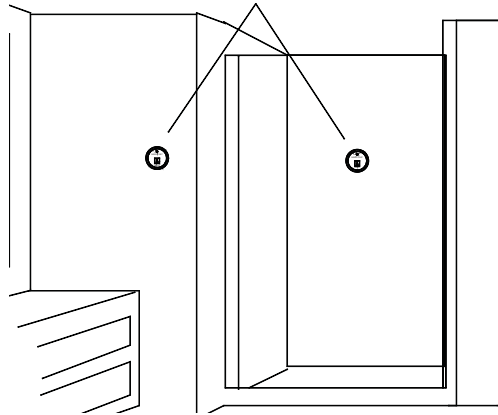
05-21-20 1110-29 NOTE: For additional safety instructions, see owner's manual.



# amerec R30i Control Installation & Owners Manual

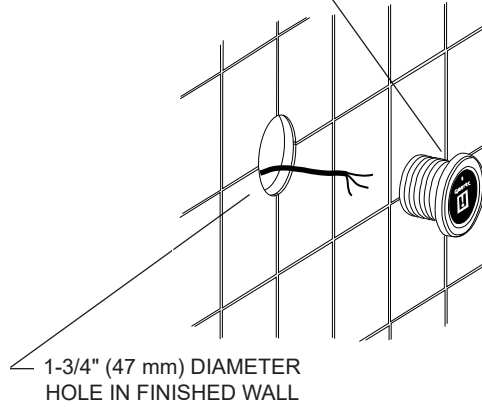
**DIAGRAM 1**

THIS LOW VOLTAGE CONTROL CAN BE LOCATED INSIDE OR OUTSIDE THE STEAM ENCLOSURE



**DIAGRAM 2**

APPLY SEALANT (100% SILICONE CAULK)

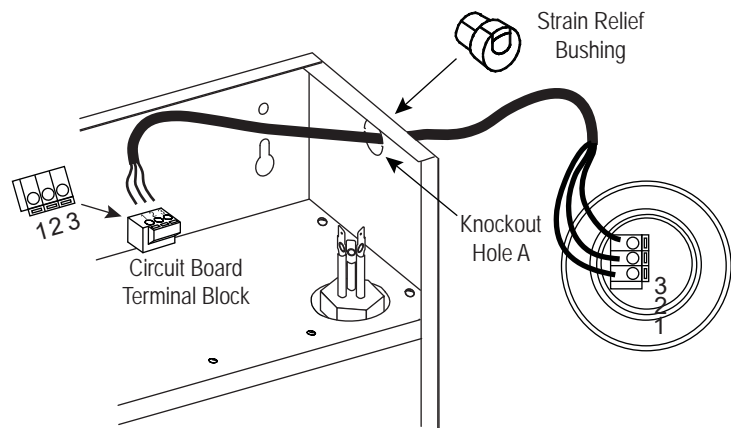
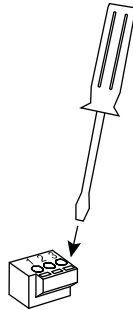


1-3/4" (47 mm) DIAMETER HOLE IN FINISHED WALL

**DIAGRAM 3**

To R30i Control

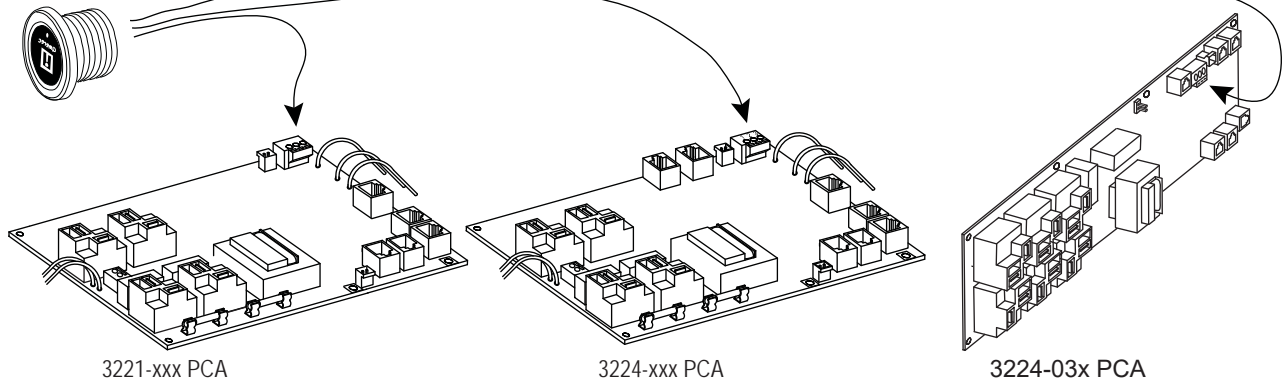
Press on orange tab and insert wire



A LOW VOLTAGE CONTROL CABLE (25' (7.6M)) IS PROVIDED FOR 5 VOLT DC SWITCH CONNECTION TO THE STEAM GENERATOR. NO ADDITIONAL ELECTRICAL SUPPLY OR WIRING REQUIRED.

REQUIRES 18 TO 22 AWG SOLID WIRE, RATED 300V, 75°C MINIMUM FROM GENERATOR TO CONTROL. STRIP WIRE ENDS 1/4" (6mm)

R30i Control



3221-xxx PCA

3224-xxx PCA

3224-03x PCA

# amerec R30i Control Installation & Owners Manual

## SECTION 1: INSTALLATION (continued)

2. **Control Cable at the Generator:** (continued)
  - a. Feed the control cable through a knock-out (hole A) in the right hand of the steam generator and connect to the R30i terminal block on the circuit board (See diagram 3). The three wires must be connected to corresponding terminals on the R30i and the steamer circuit board ( 1 to 1, 2 to 2 and 3 to 3). Note: *there are three AK steam generator circuit boards (PCAs) compatible with the R30i control. Which board is installed depends on the age of the steam generator. Refer to diagram 3 and the generator's wiring diagram to see where to connect the control to the circuit board.*
  - b. Place a strain relief bushing approximately 9" (230 mm) from the stripped end of the control cable jacket. Snap strain relief bushing into hole A. *There must be no strain on the control cable or its wires.*
  - c. Replace the steamer cover.
3. **Install R30i Control:** The low voltage control can be mounted directly to a finished wall either inside or outside the steam room.
  - a. Using a 1-3/4" (44 mm) hole saw, drill a hole in the finished wall where the control is to be mounted (the control wires should already be roughed-in to this location).
  - b. Locate the control wires, pull them out through the 1-3/4" (44 mm) hole and plug the 3 wires into the connector on the back of the control, as shown in diagram 3.
  - c. Run a bead of 100% silicone caulk around the perimeter on the back of the control housing. (See diagram 2). Insert the control into the wall cavity. Tape the control to the wall while the silicone dries. Note: *A mounting plate for a switch box is included in your R30i kit, too.*

## SECTION 2: VERIFY INSTALLATION

1. *Assure that both the power circuit and water supply to the generator are on.*
2. Press the R30i control's ON/OFF button. The control's LED should light and the steam generator will fill with water and start heating. In about 5 to 10 minutes, steam should start entering the steam bath (the time will vary depending on the wattage of the generator). Note: the LED will light while the steam generator is running and turn off when the generator is turned off.
3. After the steam starts, press the ON/OFF button. The steam should stop; there shouldn't be any water flow, and the control should not be lit. Press the ON/OFF button again. The control should light and steam should be visible within 1 minute. Typically, the steam generator will call for water every 2 minutes or more, depending upon its power rating. It is normal for the flow of steam out the steam head to slow for up to 10 seconds each time the unit calls for water.
4. The steam generator will shut down automatically 30 minutes after the last time the control turned it on. When the bath time runs out, the steam will stop and there should not be any water flow. The control should not be lit.
5. If the unit does not operate as described above, contact Technical Support at 1-425-951-1120 or 1-800-363-0251 or Support@amerec.com.

## SECTION 2: OPERATION

1. *Assure that both the power circuit and water supply to the generator are on.*
2. Press the R30i control's ON/OFF button to start the steam bath. The control's LED should light and the steam generator will fill with water and start heating. Note: *the LED will remain lit while the steam generator is running and turn off when the generator is turned off.*
3. Allow the steam room to reach a comfortable temperature, then enjoy your bath. If the room becomes too warm, use the control to stop the steam generator. If the room becomes too cool, turn the generator on again.
4. To end the steam bath, press the R30i control's ON/OFF button (while the LED is lit) and the LED on the control should turn off and the steam generator should stop producing steam. Note: *the steam generator will turn off automatically 30 minutes after the last time the R30i control was used turn the steam generator on.*

## SECTION 3: SERVICE

If the LED on the R30i Control does not light steadily while the steamer is operating or the control does not start or stop the steam bath, or for other assistance, contact Technical Support.

**amerec**

P.O. Box 2258

Woodinville WA 98072

Phone: 1-425-951-1120 or

1-800-363-0251

Fax: 1-425-951-1130

email: support @ amerec .com