

2742.068C EverClean® Air Bath

- EverClean® System
- Air Massage System with perfectly smooth air jets around tub perimeter
- Double intensity lumbar massage
- Programmable automatic purge with timer
- Acrylic with fiberglass reinforcement
- Pre-leveled tub bottom
- Two person design with center drain and dual lumbar ends
- Dual, molded-in arm rests
- Dual, faucet/accessory deck areas
- Variable speed, heated blower
- Factory installed power cord with plug
- Deck-mounted electronic control

2742.068C.K2 EverClean® Air Bath with Chromatherapy

Same as above, but also includes:

- Two digitally controlled lights
- Electronic control with color selector and color cycle function

Nominal Dimensions:

71-1/2" x 41-3/4" x 22"
(1816 x 1060 x 559mm)

Compliance Certifications -

Meets or Exceeds the Following Specifications:

- Underwriters Laboratories - Hydromassage Bathtubs UL 1795
- ASME A112.19.7M for Whirlpool Appliances
- ANSI Z124.1 for Plastic Bathtubs
- ASTM E162 for Flammability
- NFPA 258 for Smoke Density

American Standard whirlpools and air baths with EverClean® incorporate a safe and effective silver-ion antimicrobial additive right into the circulation piping to protect the pipes from mold, mildew, algae and fungus that could cause deterioration or staining of the pipes.

SEE REVERSE FOR PRODUCT DIMENSIONS AND SPECIFICATIONS



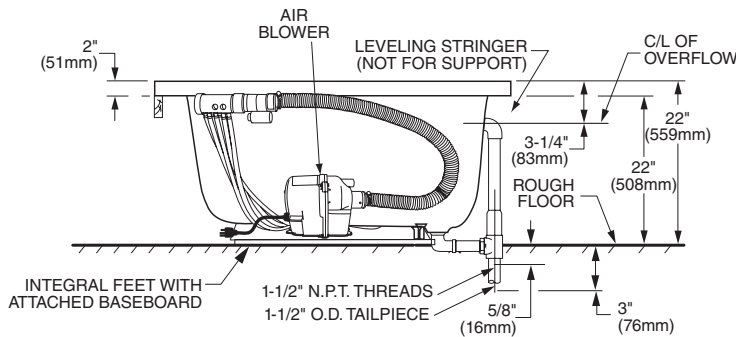
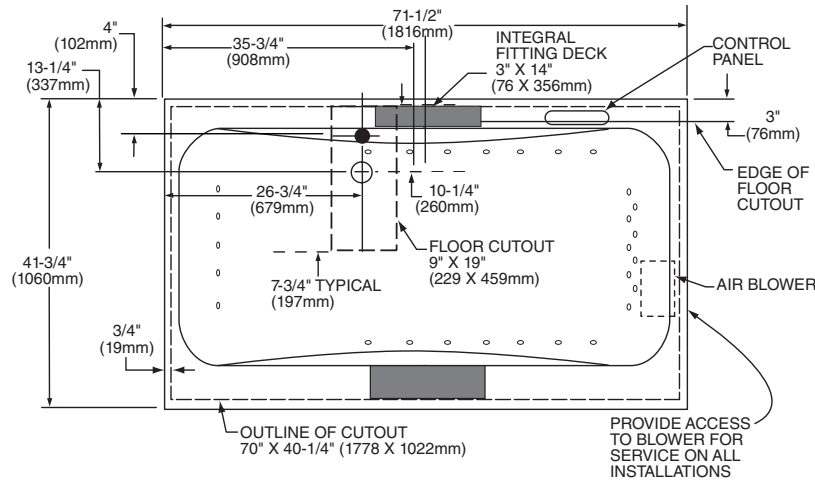
To Be Specified - Required:

- Color:
- Drain 1594.170 (specify finish)
- Town Square Bath Faucet:
 - D/M Filler with Personal Shower: 2555.901 (specify finish)
 - D/M Filler less Personal Shower: 2555.900 (specify finish)
- Town Square Bath/Shower Faucet:
 - B/S for Wall Mount Spout: 2555.602 (specify finish)
 - B/S for Deck Mount Spout: 2555.652 (specify finish)
- Other Bath Faucet (specify finish):
- Drain Trim Kit 1585.200 (specify finish)

To Be Specified - Optional:

- Air Blower Remote Mounting Kit: 754025-0071A

For color/finish availability and other faucet choices, please see the Product Selector and Pricing Guide.



GENERAL SPECIFICATIONS FOR 2742 AIR MASSAGE SYSTEM	
INSTALLED SIZE	71-1/2 x 41-3/4 x 22 In. (1816 x 1060 x 559mm)
WEIGHT	115 Lbs. (52 Kg.)
WEIGHT w/WATER	690 Lbs. (313 Kg.)
GAL. TO OVERFLOW	69 Gal. (261 L)
BATHING WELL AT SUMP	41 x 21-1/2 In. (1041 x 546mm)
BATHING WELL AT RIM	62 x 31-1/2 In. (1574 x 800mm)
WATER DEPTH TO OVERFLOW	14-1/4 In. (362mm)
FLOOR LOADING (PROJECTED AREA)	33 Lbs./Sq.Ft. (163 Kgs./Sq.m)
PTS.	27.8
CUBE (FT ³)	55.7
ELECTRICAL SPECIFICATIONS	
BLOWER	1.0 HP, 10 AMPS, 120V

NOTES:

BATH CAN BE INSTALLED EITHER ABOVE OR BELOW FLOOR LINE AS PIER, ISLAND OR PENINSULA TYPE INSTALLATION. SUMP OF BATH IS SUPPORTED BY INTEGRAL FEET. NO ADDITIONAL SUPPORT REQUIRED. ENCLOSING MATERIALS BY OTHERS.

● IF INSTALLING A DECK-MOUNTED FITTING, BEFORE DRILLING ANY HOLES: CHECK FOR INTERFERENCE WITH CIRCULATING SYSTEM PIPING AND DRAIN OVERFLOW. MOUNTING HOLES DRILLED BY INSTALLER.

■ REFER TO INSTALLATION INSTRUCTIONS SUPPLIED WITH BATH FOR ADDITIONAL INFORMATION.

FITTINGS NOT INCLUDED AND MUST BE ORDERED SEPARATELY.

PROVIDE SUITABLE REINFORCEMENT FOR ALL SUPPORTS.

IMPORTANT: Dimensions of fixtures are nominal and may vary within the range of tolerances established by ANSI Standard Z124.1 / CSA Certified. These measurements are subject to change or cancellation. No responsibility is assumed for use of superseded or voided leaflet.