

GENERAL DESCRIPTION:

Manual Piston-Type Urinal Flush Valve for 3/4" top spud urinals.

INCLUDES:

- 3/4" I.P.S. angle stop with back-flow prevention and vandal-resistant cap
- Sweat solder kit including cover tube and wall flange
- High back pressure vacuum breaker with down tube
- Spud coupling & flange for 3/4" top spud

PRODUCT FEATURES:

- Self-cleaning brass piston with integral wiper spring prevents clogging and reduces maintenance
- Piston operation delivers superior flush accuracy and repeatability
- Piston valve remains closed and does not need to be reset after loss of water pressure
- Non-hold open handle
- Positive seal ensures leak-free performance
- No external volume adjustment
- Durable chrome-plated cast brass construction is ideal for commercial applications
- Chloramine-resistant EPDM seals
- Adjustable tailpiece for rough-in flexibility
- Can be installed left or right handed
- ADA compliant

MODEL NUMBER:

- ❑ **6045.051.002** Flush Valve for 3/4" top spud urinal, 0.5 gpf
- ❑ **6045.505.002** Retrofit for existing flush valves, 0.5 gpf. Replaces industry standard manual & electronic flush valves. Does not include vacuum breaker assembly, angle stop & sweat solder kit.

OPERATING PRESSURE:

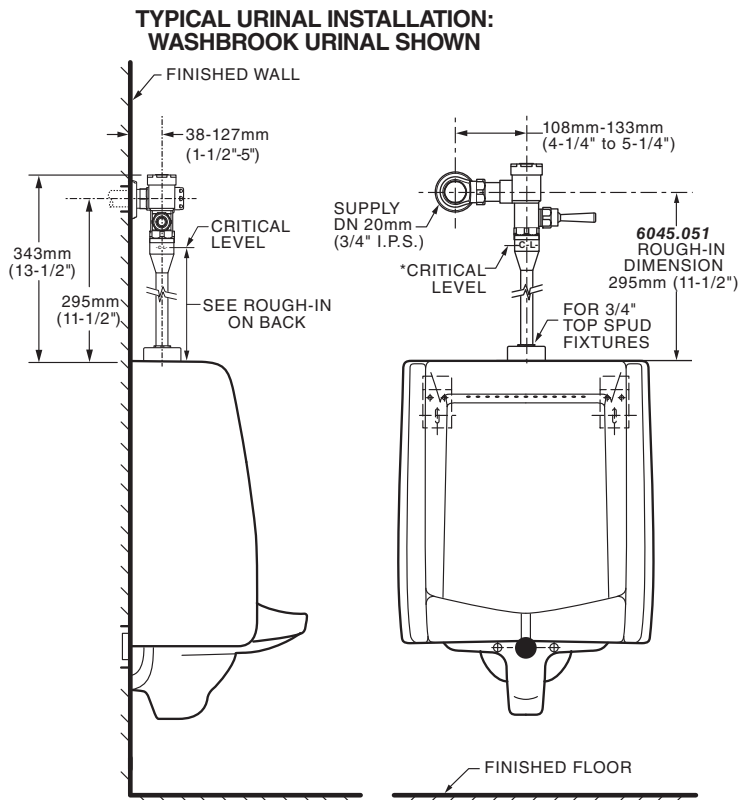
20 psi (flowing)-80 psi (static)

FLOW REQUIREMENT:

10gpm (37.9 L/min.)

ACCESSORIES:

- Cast wall flanges (3/4")



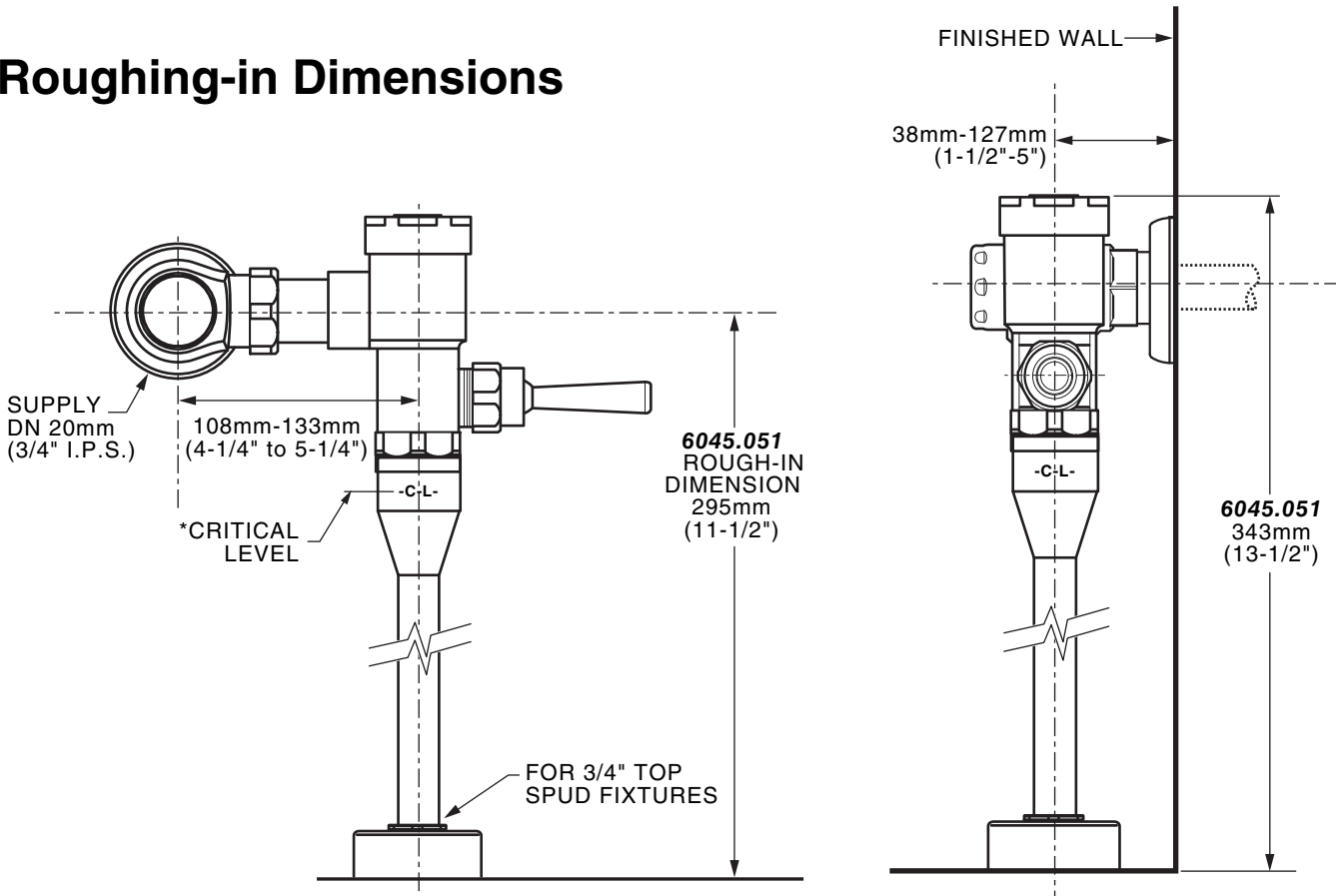
RECOMMENDED SPECIFICATION:

Manual urinal flush valve shall feature self-cleaning brass piston valve with integral wiper spring in bypass orifice to prevent clogging. Valve remains closed and does not need to be reset after loss of water pressure. Includes cast brass valve body and cover with chrome finish and vandal resistant stop cap. Includes sweat solder kit with wall flange and cover tube. Angle stop with back-flow protection and vacuum breaker included. 0.5 gpf / 1.9 Lpf Flush valve shall be American Standard Model # 6045.051.002.

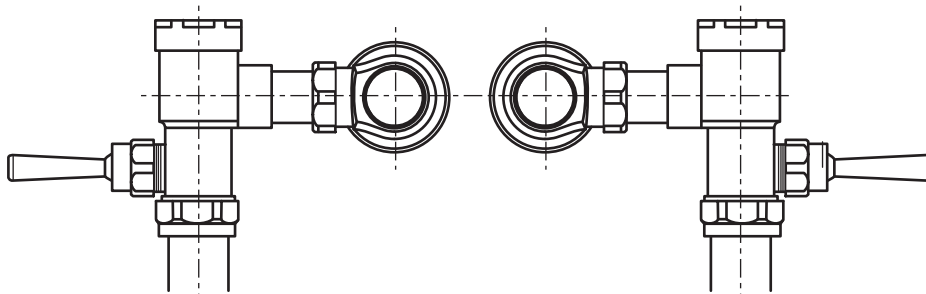
LISTINGS:

- ASSE 1037
- ANSI/ASME A112.19.2
- ADA Compliant

Roughing-in Dimensions



*Note: The Critical Line (-C-L) on Vacuum Breaker must typically be a minimum of 6" (152mm) above fixture. Consult Codes for details.



Left or Right Hand Installation

MEETS THE AMERICANS WITH DISABILITIES ACT GUIDELINES AND ANSI A117.1 REQUIREMENTS FOR ACCESSIBLE AND USABLE BUILDING FACILITIES-CHECK LOCAL CODES

PART OF LIXIL