

METERING FAUCETS
PILLAR TAP FAUCET WITH EXTENDED SPOUT
0.5 GPM NON-AERATED SPRAY



MODEL NUMBER:

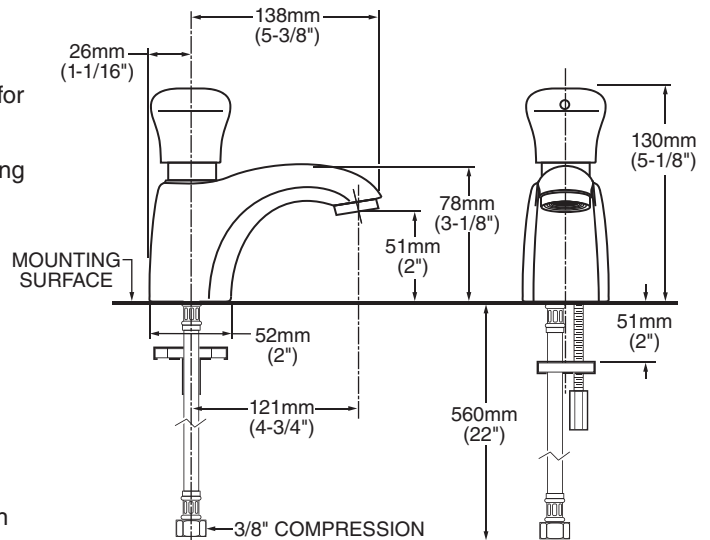
- **1340.119** Cast spout, 0.5 GPM pressure compensating vandal-resistant non-aerated spray
- **1340M.119** Same as above with mechanical mixing valve
- **OPTIONAL 4" or 8" Deck plates**
 - 605P.400 4" brass deck plate with 1/4" fixation studs and quick spin nuts. (6-1/8" x 2-1/8" x 1/2")
 - 605P.800 8" brass deck plate with 1/4" fixation studs and quick spin nuts. (10-1/8" x 2-3/8" x 1/2")

GENERAL DESCRIPTION:

Metering pillar tap faucet. Vandal resistant solid brass construction. Easy-push handle. Water conserving pressure compensating 0.5 GPM vandal-resistant non-aerated spray. Factory set for a maximum of 0.083 gallon flow per activation. Replaceable cartridge. Adjustable flow cycle.

PRODUCT FEATURES:

- **Meets CALGreen:** Delivers 0.083 gallons per cycle which is a 59% water savings from CALGreen baseline.
- **Pressure Compensating Non-Aerated Spray:** Provides a constant water flow of 0.5 gpm throughout the pressure range.
- **Vandal-Resistant Brass Construction and Spray:** Durable - Excellent in high use applications.
- **Automatic Shut-off:** Stops water and energy waste. Ideal for public restrooms where uncontrolled water usage is costly.
- **Meets ADA Standard:** Requires less than 5 lbs. of operating force to initiate flow per ANSI A117.1.
- **Single Supply:** For cold or tempered water.
- **Adjustable Flow Cycle**
- **Replaceable Valve Cartridge:** Facilitates simple replacement.
- **Optional Mixing Valves:** (sold separately)
 - Mechanical (Model # 021943-0070A)
 - Thermostatic (Model # 605XTMV)
- **Flexible Supply Hose:** With 3/8" Compression Connection
- **Optional 4" or 8" Deck Plate**
- **Lead Free:** Faucet contains ≤ 0.25% total lead content by weighted average.



SUGGESTED SPECIFICATION

Metering faucet shall feature a single handle vandal-resistant brass construction with a replaceable valve cartridge and an adjustable flow cycle. Shall also feature a water-conserving, pressure compensating 0.5 gpm/1.9L/min vandal-resistant non-aerated spray. Factory set to deliver 0.083 gallons per cycle to meet CALGreen. Push button activator shall meet ANSI A117.1 Standard. Fitting shall be American Standard Model # 1340.119.002.

**METERING FAUCETS
PILLAR TAP FAUCET WITH EXTENDED SPOUT
0.5 GPM NON-AERATED SPRAY**

CODES AND STANDARDS

These products meet or exceed the following codes and standards:

- ANSI A117.1**
- ASME A112.18.1**
- CSA B 125**
- NSF 61/Section 9 and Annex G**
- CALGreen**

 MEETS THE AMERICANS WITH DISABILITIES ACT GUIDELINES AND ANSI A117.1 REQUIREMENTS FOR ACCESSIBLE AND USABLE BUILDING FACILITIES-CHECK LOCAL CODES

