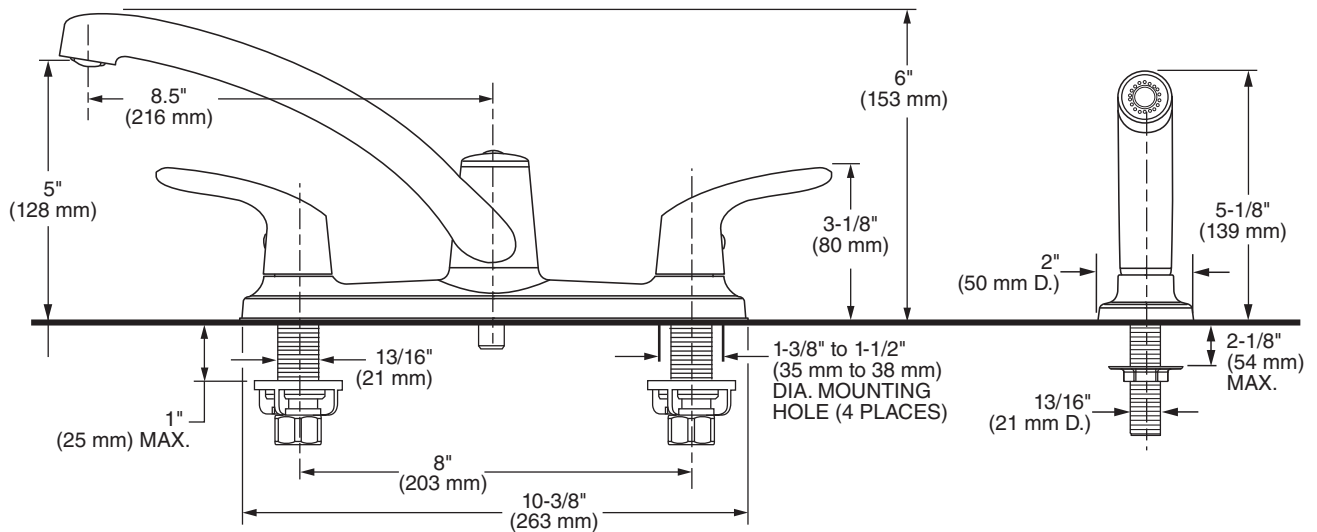


7074.501 Shown

MODEL NUMBER:

- 7074.500 Kitchen Faucet**
Lever handles. LESS handspray.
- 7074.501 Kitchen Faucet**
Lever handles. Separate color-matched handspray.



GENERAL DESCRIPTION:

Durable construction. 1/4 turn washerless ceramic disc valve cartridge and one-half inch male inlet shanks. Brass swivel spout (360° rotation) with metal lever handles. Color-matched side spray. 1.5 gpm/5.7 L/min. maximum flow rate.

PRODUCT FEATURES:

- Ceramic Disc Valve Cartridge:** Assures a lifetime of drip-free performance.
- Lead Free:** Faucet contains ≤ 0.25% total lead content by weighted average.
- Simple Installation:** Fast and easy one person installation. Faucet drops in from top. Quick spin nuts secure faucet in place.

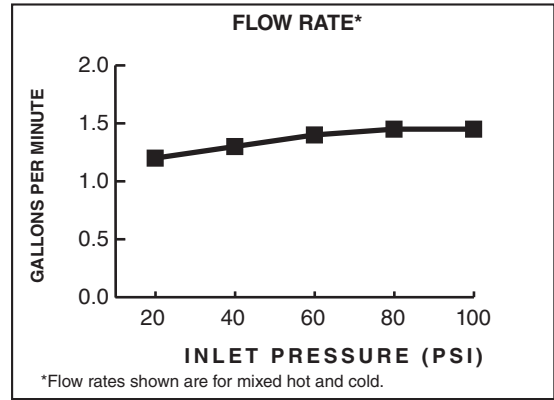
SUGGESTED SPECIFICATION

Two handle kitchen faucet shall feature metal construction with one-half inch male inlet shanks. Brass swivel spout. Shall also feature 1/4 turn washerless ceramic disc valve cartridges. Fitting shall be American Standard Model # 7074.50____.

CODES AND STANDARDS

These products meet or exceed the following codes and standards:

- ANSI A117.1**
- ASME A112.18.1**
- CSA B125.1**
- NSF 61/Section 9**
- NSF 372**



1.5 gpm/5.7 L/min. FLOW RATE

Product Number	Description	Finish Options
		Polished Chrome
		002
7074.500	Kitchen faucet. Lever handles. LESS handspray.	
7074.501	Kitchen faucet. Lever handles. Separate color-matched mandspray.	

 Meets the American Disabilities Act Guidelines and **ANSI A117.1** Requirements for the physically challenged.