

**MODEL NUMBER:**

**TRIM KIT:**

- T353.730 Central Thermostat Trim Kit**  
LESS volume control. LESS Valve.

**ROUGH VALVES:**

- R510 Rough Valve Body only**  
1/2" NPT inlets/outlets. LESS trim.
- R530 Rough Valve Body only\***  
3/4" NPT inlets/outlets. LESS trim.

**NOTE:**

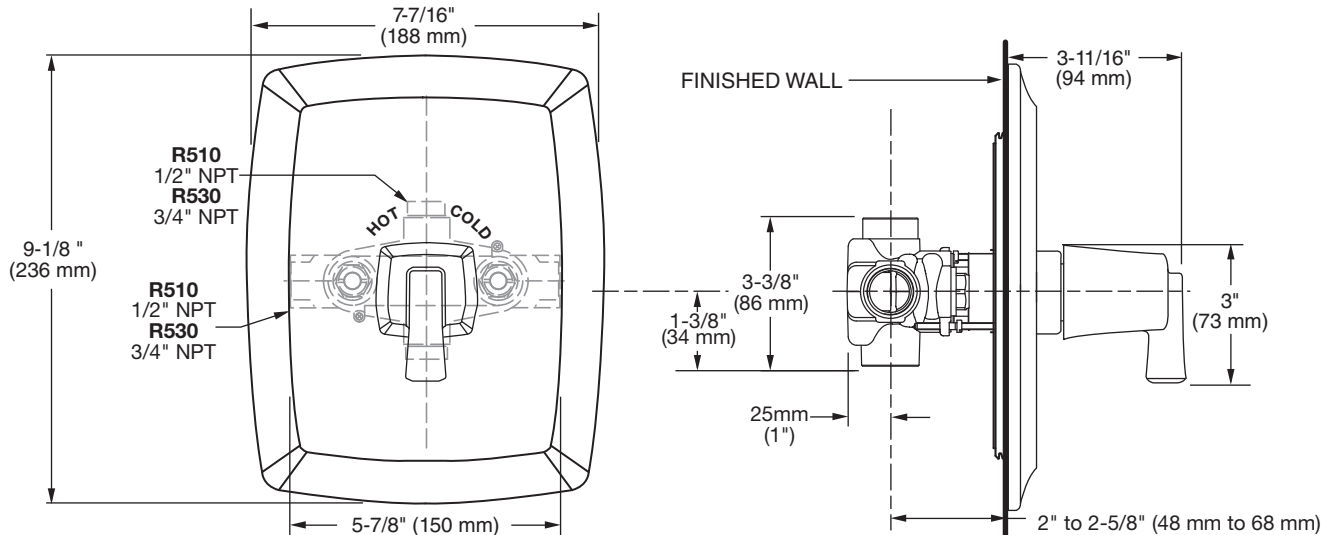
- Requires separate on/off volume control.
- When used as a Bath/Shower:

**EITHER**

- must use separate on/off volume control for each spray outlet

**OR**

- a diverter tub spout (requires twin ell) IS REQUIRED



**GENERAL DESCRIPTION:**

Cast brass valve body. The single unit contains one handle, which sets the desired temperature. The temperature is maintained by a wax element moving a shuttle valve between hot and cold. Includes Hot Limit Safety Stop. Maximum temperature limit is 112°F. Escutcheon plate is stamped brass. Available with 1/2" or 3/4" NPT inlets and outlets. The valve has a high flow rate, ideal for multiple outlet installations.

**PRODUCT FEATURES:**

- Brass Casting:** Highest quality faucet material for durability & long life.
- Wax Thermostatic Unit:** Permits shuttle valve to move between the hot and cold seat to maintain the pre-selected constant water temperature.
- Back to Back Capable:** Hot and cold can be reversed.
- Spring-Loaded Check Valves:** When the hot and cold water enters the fitting, both supplies pass through the spring-loaded check valves to prevent cross flow of hot and cold water.
- Integrated Stop Valves:** Ensure easy cleaning and servicing.
- Adjustable Hot Limit Safety Stop:** Limits the amount of hot water allowed to mix with cold. Reduces the risk of accidental scalding. Maximum water temperature limit may be reduced to 104 or 109 degrees Fahrenheit.

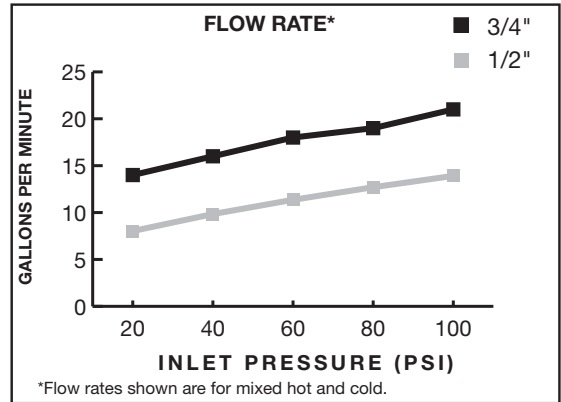
**SUGGESTED SPECIFICATION**

Central Thermostat shall feature a cast brass valve body. Thermostat shall be a wax element shuttle valve. Shall also feature 1/2" or 3/4" NPT inlets and outlets. Fitting shall be American Standard Model # T353.730.\_\_\_\_ (Trim Kit) and R510 or R530 (Rough Valve).

**CODES AND STANDARDS**

These products meet or exceed the following codes and standards:

- ASSE 1016
- ASME A112.18.1
- CSA B125.1



TRIM KITS **	Product Number	Description	** TRIM & ROUGH MUST BE ORDERED SEPARATELY.				Finish Options			
			Polished Chrome	PVD Polished Nickel	Legacy Bronze	PVD Satin Nickel				
							002	013	278	295
	T353.730*	Central Thermostat Trim Kit. LESS volume control.								

ROUGH VALVE BODIES	Product Number	Description
	R510*	Rough Valve Body LESS trim. 1/2" inlets/outlets.
	R530*	Rough Valve Body LESS trim. 3/4" inlets/outlets.

**\*NOTE:** When used as a Bath/Shower a separate on/off volume control for each spray outlet must be used. Requires twin ell (must be ordered separately) for use with diverter spouts. Requires separate on/off volume control.

Meets the American Disabilities Act Guidelines and ANSI A117.1 Requirements for the physically challenged.