

**Studio® Activate® Concealed Trapway
Right Height® Elongated Toilet With Seat**

- ❑ **2794.119** Right Height® Elongated Toilet
 - **LXP (Luxury Performance) Toilet with touchless flush activation**
 - Combination bowl and tank, with seat
 - 12" (305mm) rough-in
 - Siphon action jetted bowl with smooth-sided, concealed trapway
 - Ultra-low consumption (1.28 gpf/4.8 Lpf) utilizes 20% less water
 - Meets EPA WaterSense® Criteria
 - EverClean® Surface included
 - PowerWash® rim scrubs bowl with each flush
 - 16-1/2" (419mm) rim height
 - Fully-glazed 2-1/8" trapway
 - Oversized 3" flush valve
 - Generous 9" x 8" water surface area
 - Includes slow close seat and cover with concealed seat ring and easy lift-off feature for simple removal and reattachment for cleaning
 - Wave hand actuator with manual override flush button
 - Powered by 4 AA batteries (included)
 - 2 color matched bolt hole covers
 - Limited lifetime warranty on chinaware, a limited 5 year warranty on all mechanical parts of the toilet, 1 year warranty on electronic parts and a limited 1 year warranty on the toilet seat
 - **Design coordinates with Studio® and Boulevard® lavatories**



SEE REVERSE FOR ROUGHING-IN DIMENSIONS

- ❑ **3075.120** Right Height® Elongated bowl
Nominal Dimensions:
30-1/4" x 15-3/4" x 30-3/4"
(768 x 399 x 781mm)
Fixture with seat, supply by others
- ❑ **4000.119** Tank complete with coupling components and tank trim
- ❑ **5025A.65G** Telescoping Elongated Luxury Seat

Compliance Certifications -

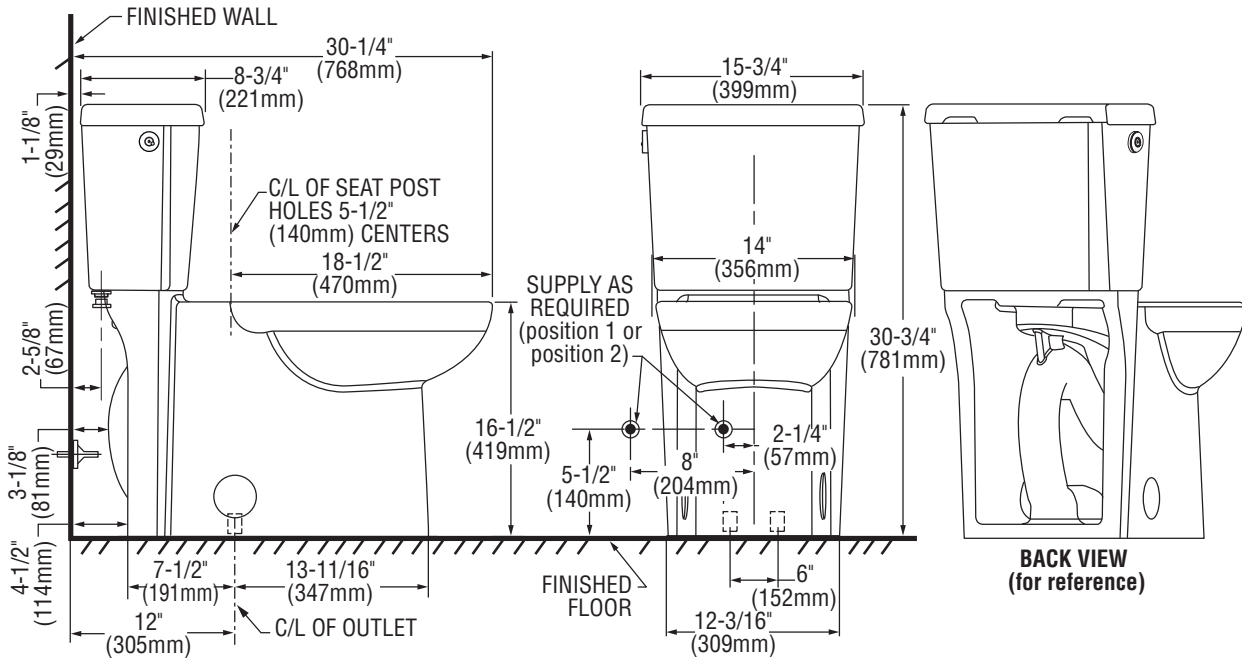
Meets or Exceeds the Following Specifications:

- ASME A112.19.2/CSA B45.1-08 for Vitreous China Fixtures



MEETS THE AMERICANS WITH DISABILITIES ACT GUIDELINES AND ICC ANSI A117.1 REQUIREMENTS FOR ACCESSIBLE AND USABLE BUILDING FACILITIES-CHECK LOCAL CODES.





IMPORTANT: Water supply on the wall is required at 2-1/4" or 8" from centerline of the toilet (see rough-in). First suggested position is hidden behind the toilet. The geometry of the toilet gives space for this installation. The second suggested position is next to the toilet. Between these two positions, the space for the supply between wall and toilet is limited to 4-1/2". In this case, check your supply and hose dimensions.

NOTES:

THIS TOILET IS DESIGNED TO ROUGH-IN AT A MINIMUM DIMENSION OF 305MM (12") FROM FINISHED WALL TO C/L OF OUTLET. SUPPLY NOT INCLUDED WITH FIXTURE AND MUST BE ORDERED SEPARATELY.
* DIMENSION SHOWN FOR LOCATION OF SUPPLY IS SUGGESTED.

IMPORTANT: Dimensions of fixtures are nominal and may vary within the range of tolerances established by ANSI Standard A112.19.2. These measurements are subject to change or cancellation. No responsibility is assumed for use of superseded or voided pages.