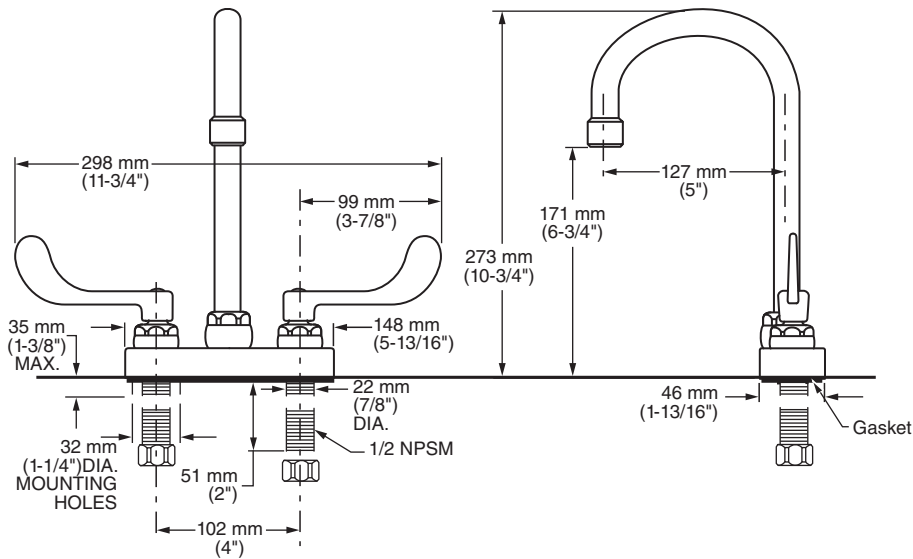


MODEL NUMBER:*

□ **7545.170 Centerset Lavatory**

1.5 gpm Pressure Compensating Vandal-Resistant Aerator. Gooseneck spout, swivel is limited to 140°. Vandal-Resistant Wrist Blade handles. LESS drain and pop-up hole.



GENERAL DESCRIPTION:

Durable cast brass construction. 1/2" male threaded inlet shanks with shank nuts and brass coupling nuts. 1/4 turn ceramic disc valve cartridges. Gooseneck swivel spout. Limited swivel design restricts swing to 140°. Vandal-Resistant Wrist Blade handles with blue & red color indexes. 1.5 gpm/5.7 L/min. maximum flow rate.

PRODUCT FEATURES:

- Limited Swivel Spout:** Swing is restricted to 140° to prevent water spills behind the sink.
- Pressure Compensating Multi-Laminar Spray:** Provides a constant water flow of 1.5 gpm throughout the pressure range.
- Solid Brass Construction:** Durable - Excellent in high use applications. Ideal for prolonged contact with water.
- Ceramic Disc Valve Cartridge:** Assures a lifetime of drip-free performance.
- Lead Free:** Faucet contains ≤ 0.25% total lead content by weighted average.

SUGGESTED SPECIFICATION

4" centerpiece lavatory faucet shall be cast brass construction with shank nuts and brass coupling nuts. Gooseneck swivel spout with swing limited to 140°. Shall feature water-conserving, vandal-resistant 1.5 gpm/5.7 L/min. pressure compensating aerator. Vandal-Resistant wrist blade handles. Shall also feature 1/4 turn washerless ceramic disc valve cartridges. Fitting shall be American Standard Model # 7545.170.002.

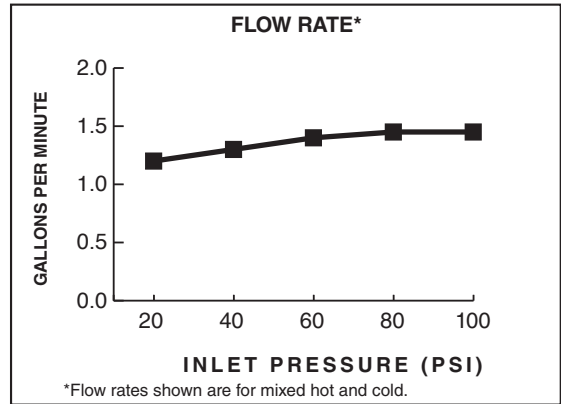


MONTERREY®
TWO-HANDLE CENTERSET LAVATORY FAUCET
 WITH LIMITED SWIVEL GOOSENECK SPOUT

CODES AND STANDARDS

These products meet or exceed the following codes and standards:

- ANSI 117.1**
- ASME A112.18.1**
- CSA B125.1**
- NSF 372**



Product Number	Description	Finish
		Polished Chrome
		002
7545.170	Centerset lavatory with limited swivel gooseneck spout. 1.5 gpm/5.7 L/min pressure compensating, vandal-resistant aerator. Vandal-resistant wrist blade handles. LESS drain and pop-up hole.	

Meets the American Disabilities Act Guidelines and **ANSI A117.1** Requirements for accessible and usable building facilities - check local codes

Other Aerators Available:	
Part Suffix	Description
LV15	1.5 gpm (5.7 Lpm) Vandal-Resistant PCA Non-Aerated Laminar Flow Outlet
LV10	1.0 gpm (3.8 Lpm) Vandal-Resistant PCA Non-Aerated Laminar Flow Outlet
V10	1.0 gpm (3.8 Lpm) Vandal-Resistant PCA Aerator
V05*	0.5 gpm (1.9 Lpm) PCA Vandal-Resistant Multi-Laminar Spray
V035*	0.35 gpm (1.3 Lpm) Vandal-Resistant PCA Non-Aerated Spray

PCA - Pressure Compensating
 *Meets Cal Green Code

PART OF **LIXIL**