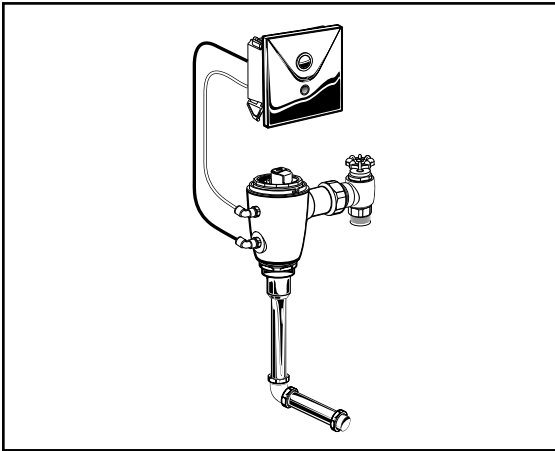


SELECTRONIC® SENSOR OPERATED, CONCEALED URINAL FLUSH VALVE BACK SPUD



GENERAL DESCRIPTION:

Concealed, Sensor Operated Selectronic Flush Valve (Rear Access) for 3/4" back spud urinal.

PRODUCT FEATURES:

- **Pressure Compensation** feature ensures accurate flush volume regardless of inlet water pressure
- **Self-Cleaning Piston** with integral wiper spring significantly reduces clogging and maintenance
- **Selectronic Proximity System** with universal sensor provides hygienic, "hands free" operation
- **State-of-the-Art Electronics** prevent ghost flushing
- **Dezincification Resistant** brass alloy
- **Fully Mechanical Manual Override Button** can flush the valve without power
- **Fail-Safe:** Valve automatically closes upon loss of power or water pressure and does not need to be reset
- **Adjustable Sanitary Flush** cleans the fixture & maintains the trap seal.
- **Stadium Feature:** Valve automatically switches to water savings mode during periods of heavy usage
- **Chemical Resistant EPDM** Seals for extended life
- **Adjustable tailpiece for rough-in flexibility**
- **Can be installed left or right handed**
- **All exposed parts are chrome-plated**

INCLUDES:

- 3/4" I.P.S. angle stop with back-flow protection and hand wheel
- 3/4" Sweat solder adapter
- 3/4" Vacuum breaker with spud coupling and flange

SUGGESTED SPECIFICATION

Electronic, sensor activated flush valve for 3/4" back spud urinal shall feature self-cleaning piston valve with integral wiper spring in refill orifice to prevent clogging. Shall feature a fully mechanical manual override that can flush the valve without power. Shall also feature a dezincification-resistant brass valve body and chrome-plated metal wall plate that includes the sensor and manual override button. Includes angle stop with back-flow protection and hand wheel. Sweat solder adapter and vacuum breaker also included. Must be installed and maintained from the rear.

Flush Valve shall be American Standard Model # 606B.3 .007.

BASE MODEL: (Does Not include Power Supply)



- ❑ **606B.301** Base Model, 0.125 gpf/0.5 Lpf
REAR ACCESS
Fully mechanical manual override
Vandal-resistant, chrome-plated metal wall plate



- ❑ **606B.305** Base Model, 0.5 gpf/1.9 Lpf
SAME AS ABOVE

- ❑ **606B.310** Base Model, 1.0 gpf/3.8 Lpf
SAME AS ABOVE

POWER KITS: (Must be Purchased Separately)

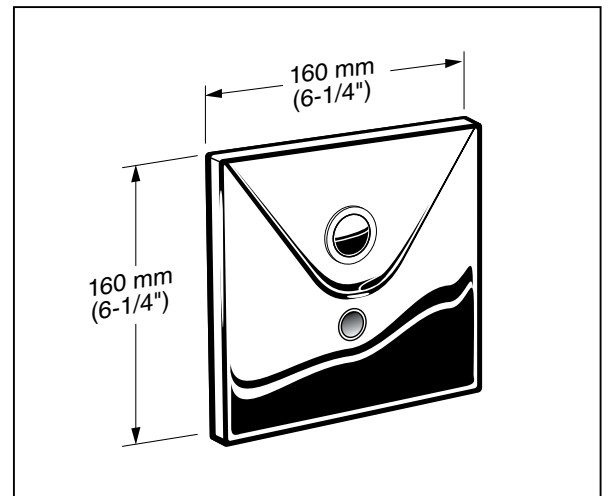
- ❑ **PK00.CRP** CR-P2 lithium battery and holder
- ❑ **PK00.WRK** PWRX™ 10-Year battery pack and holder
- ❑ **PK00.PAC** Plug-In AC transformer and Single AC adapter
- ❑ **PK00.HAC** Hard-Wired AC transformer, 10' extension cable and Single AC adapter
- ❑ **PK00.MAC** Multi-AC adapter and 10" extension cable

OPERATING PRESSURE:

20 psi (flowing) - 80 psi (static)

FLOW REQUIREMENT:

10 gpm/37.9 L/min



ADA COMPLIANT

LISTINGS:

- ASSE 1037
- ANSI/ASME A112.19.2
- ADA Compliant

CAUTION: Use only American Standard supplied transformers and cable sets. Using non-AS supplied cables, or cutting, splicing or modifying any components will void the warranty.

