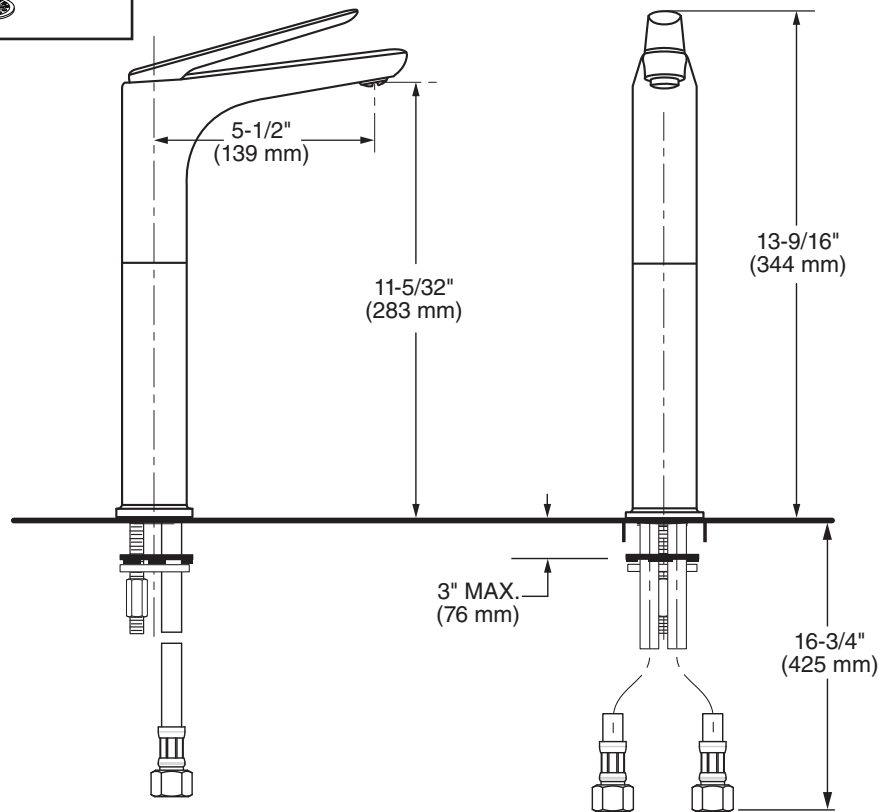


MODEL NUMBER:

- 7105.152 Studio S Single Control Monoblock Grid Drain.



GENERAL DESCRIPTION:

Brass body. Washerless 35 mm ceramic disc valve cartridge with integral hot limit safety stop. Integrated 38" color coded braided flexible supply hoses with 3/8" compression connectors. 1.2 gpm/4.5 L/min. maximum flow rate.

PRODUCT FEATURES:

Brass Construction: Durable. Easy to clean. Ideal for prolonged contact with water.

Ceramic Disc Valve Cartridge: Assures a lifetime of smooth handle operation and drip-free performance.

Adjustable Hot Limit Safety Stop: Limits the amount of hot water allowed to mix with cold. Reduces the risk of accidental scalding.

Lead Free: Faucet contains ≤ 0.25% total lead content by weighted average.



ADA COMPLIANT



EPA
WATERSENSE®
CERTIFIED

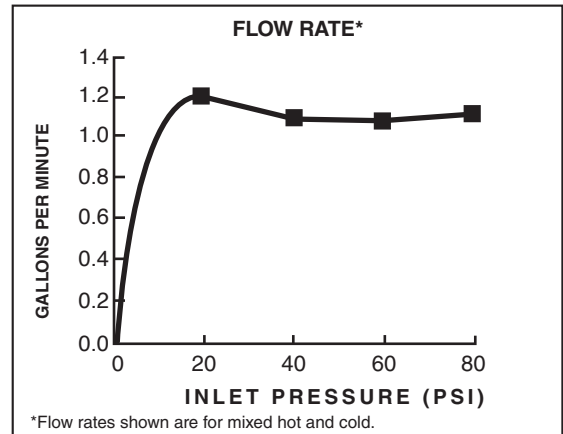
SUGGESTED SPECIFICATION


Single control vessel faucet shall feature a brass body and metal lever handle. Fitting shall be equipped with flexible supplies with 3/8" compression connectors. Shall also feature washerless ceramic disc valve cartridge with an integral hot limit safety stop. Fitting shall be American Standard Model # 7105.152.....

CODES AND STANDARDS

These products meet or exceed the following codes and standards:

- ANSI A117.1**
- ASME A112.18.1**
- CSA B125.1**
- NSF 61/Section 9**
- NSF 372**



Product Number	Description	Finish Options		
		Polished Chrome	PVD Brushed Nickel	Matte Black
		002	295	243
7105.152	Studio S Single Control Monoblock faucet with grid drain.			

 Meets the American Disabilities Act Guidelines and **ANSI A117.1** Requirements for the physically challenged.