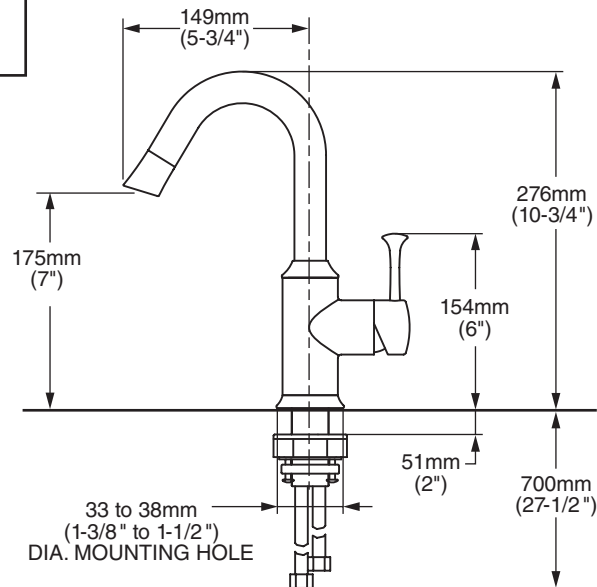




**MODEL NUMBER:**

- 4332.400 Bar Faucet With Hi-Flow Spout
- 4332.400.F15 Bar Faucet With Hi-Flow Spout



**GENERAL DESCRIPTION:**

Forged brass body and brass swivel spout (150° rotation) with metal lever handle. Washerless 40mm ceramic disc valve cartridge. Brass mounting shank with brass fixation ring. Braided flexible supply hoses with 3/8" compression connectors. 2.2 gpm/8.3 L/min. maximum flow rate, 1.5 gpm/5.7 L/min, maximum flow rate for F15 models.

**PRODUCT FEATURES:**

- Ceramic Disc Valve Cartridge:** Assures smooth, precise valve control and a lifetime of drip-free, maintenance free performance.
- Brass Construction:** Highest quality faucet materials for durability & long life.
- Memory Position Valving:** Allows user to turn valve on and off at preferred temperature setting without readjusting handle position each time.
- Lead Free:** Faucet contains ≤ 0.25% total lead content by weighted average
- Choice of Finishes:** Choice of Polished Chrome or Stainless Steel (PVD).

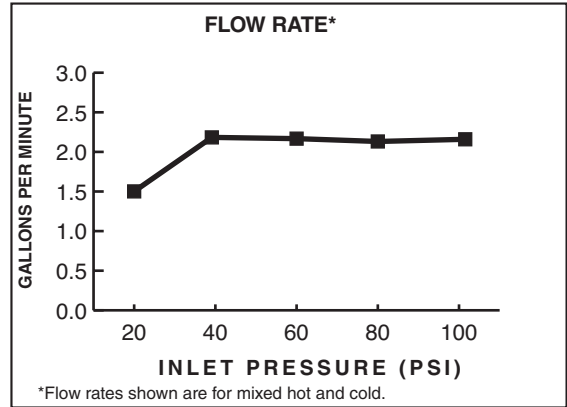
**SUGGESTED SPECIFICATION:**

Single control bar faucet shall feature a forged brass body, brass swivel spout and metal lever handle. Shall also feature washerless ceramic disc valve cartridge, flexible supply hoses. Fitting shall be American Standard Model # 4332.400.\_\_\_\_.\_\_\_\_.

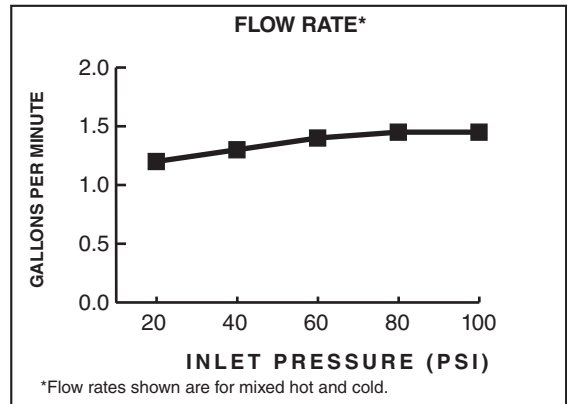
**CODES AND STANDARDS**

These products meet or exceed the following codes and standards:

- ANSI A117.1**
- ASME A112.18.1**
- NSF 61/Section 9 & Annex G**
- CSA B125**




**2.2 gpm/8.3 L/min. FLOW RATE**



**1.5 gpm/5.7 L/min. FLOW RATE**

Product Number	Description	Finish Options	
		Polished Chrome	PVD Stainless Steel
		002	075
4332.400	Hi-Flow Bar Faucet - 2.2 gpm/8.3 L/min. maximum flow rate		
4332.400.F15	Hi-Flow Bar Faucet - 1.5 gpm/5.7 L/min. maximum flow rate		

 Meets the American Disabilities Act Guidelines and **ANSI A117.1** Requirements for the physically challenged.