

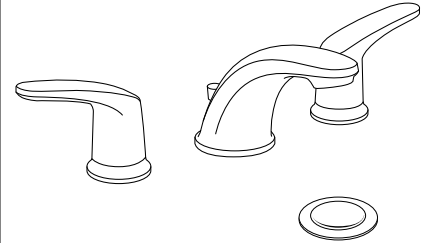
**INSTALLATION
INSTRUCTIONS**

**7075.800
7075.802**

**COLONY® PRO
WIDESPREAD LAVATORY FAUCET**

*Thank you for selecting American Standard...
the benchmark of fine quality for over 100 years.*

**To ensure that your installation proceeds smoothly-please
read these instructions carefully before you begin.**



Certified to comply with ANSI A112.18.1M

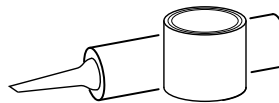
RECOMMENDED TOOLS



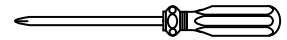
Adjustable Wrench



Channel Locks



Plumbers' Putty
or Caulking

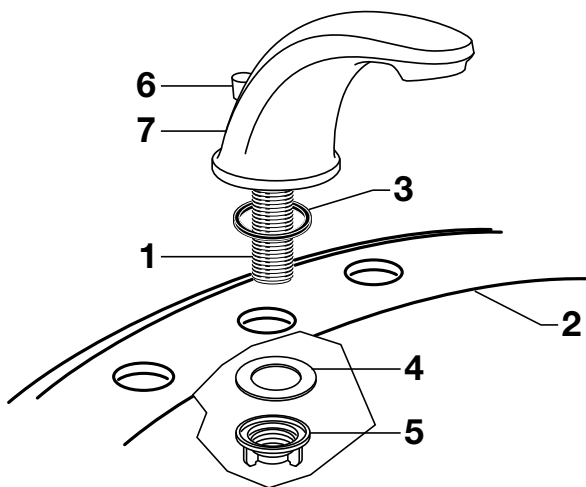


Phillips Screwdriver

1 INSTALL SPOUT

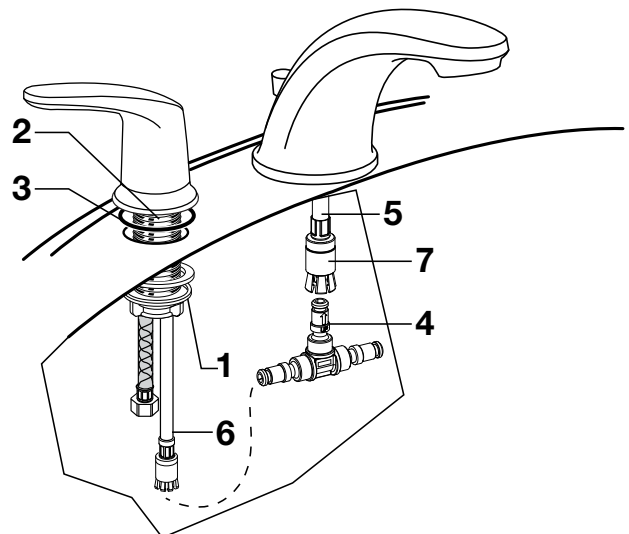
CAUTION Turn off hot and cold water supplies before beginning.

- Insert SPOUT SHANK (1) through center hole of SINK (2), making sure RUBBER RING (3) is properly positioned.
- Assemble FRICTION WASHER (4) and LOCKNUT (5) onto threads of SPOUT SHANK (1) from underside of SINK (2).
- Insert LIFT ROD (6) through SPOUT (7). Align SPOUT (7) and tighten LOCKNUT (5).



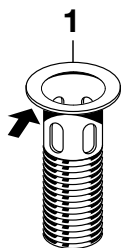
2 VALVE INSTALLATION

- Insert VALVE BODY (2), RUBBER RING (3), and two hoses through the side hole of the sink.
- From under sink tighten LOCK NUT (1) to secure VALVE BODY (2).
- Push the TEE ASSEMBLY (4) into the HOSE CONNECTOR (5) slide down LOCKING COLLAR (7) until it snaps into place to secure connection.
- Push the HOSES (6) on to T-Connector and secure it with the sleeve by sliding it over.



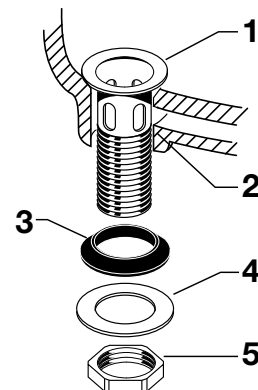
3 INSTALL POP-UP DRAIN

- Apply a bead of putty to underside of FLANGE (1).



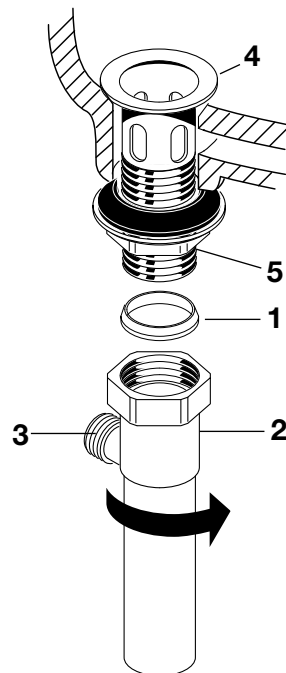
3a

- Drop FLANGE (1) into LAVATORY DRAIN (2). From below assemble RUBBER GASKET (3), METAL WASHER (4) and LOCK NUT (5). Do not tighten.



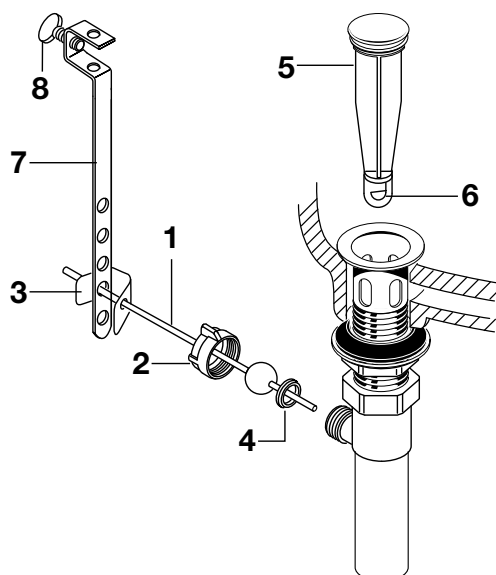
3b

- Place SEAL (1) with small end facing up into TAILPIECE (2) and tighten against DRAIN BODY (4). PIVOT ROD (3) opening in TAILPIECE (2) should face the rear of the lavatory. Tighten LOCK NUT (5) with channel locks. Do not over tighten.



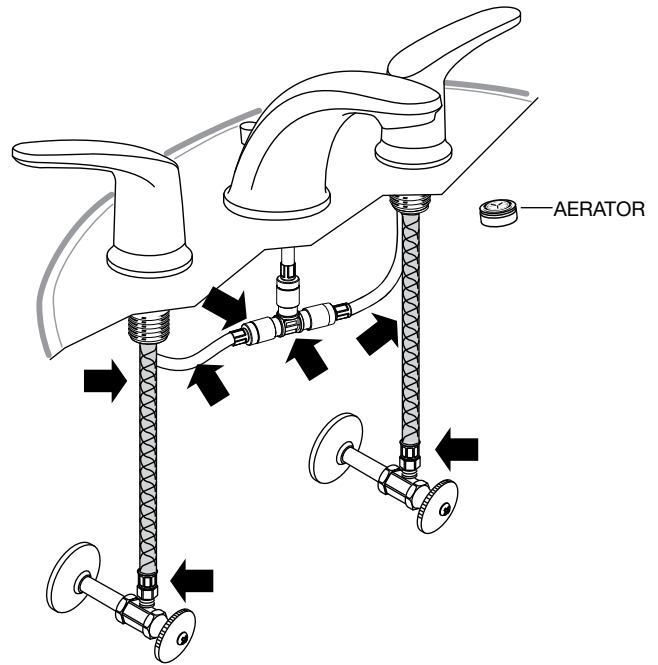
3c

- Assemble PIVOT ROD (1), PIVOT NUT (2), CLIP (3) and SEAL (4) as shown. Hand tighten PIVOT NUT (2) Drop STOPPER (5) into drain. (For vandal proof drain rotate stopper so PIVOT ROD (1) goes through EYE (6) of STOPPER (5). Make connection to "P" TRAP.
- Remove one end of CLIP (3) from PIVOT ROD (1) by squeezing ends together while sliding.
- Insert PIVOT ROD (1) into second or third hole in EXTENSION (7) and reassemble CLIP (3). (EXTENSION (7) may need to be bent.)
- Adjust STOPPER (5) height by repositioning EXTENSION (7) and tightening THUMBSCREW (8).



4 TEST INSTALLED FAUCET

- Remove AERATOR. With handles in OFF position, turn on water supplies and check all connections for leaks.
- Operate both handles to flush water lines thoroughly. Operate LIFT ROD and check DRAIN for leaks. Replace AERATOR.



5 IF FAUCET DRIPS PROCEED AS FOLLOWS:

- Aerator may accumulate dirt causing distorted and reduced water flow. Remove aerator and rinse clean.
- If spout drips, operate handles several times from OFF to ON position. Do not force-handles turn only 90°.

6 CARE INSTRUCTIONS:

DO: SIMPLY RINSE THE PRODUCT CLEAN WITH CLEAR WATER. DRY WITH A SOFT COTTON FLANNEL CLOTH.

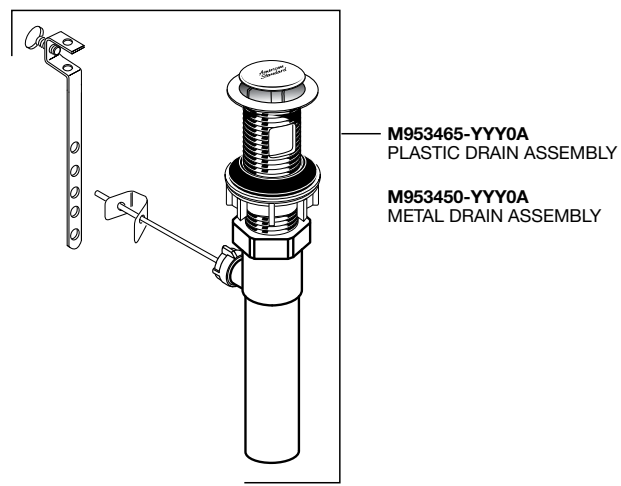
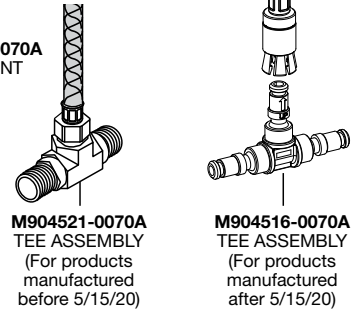
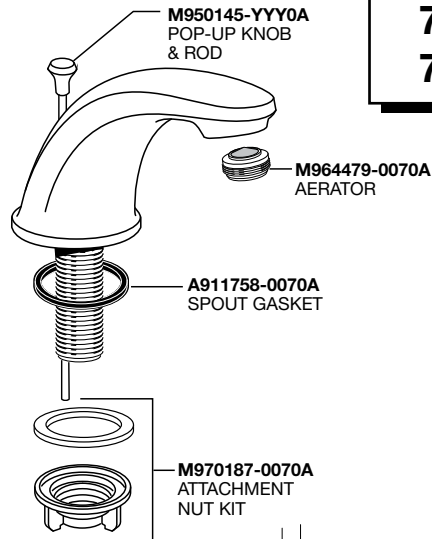
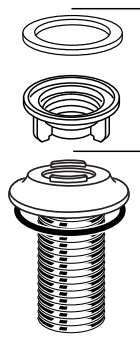
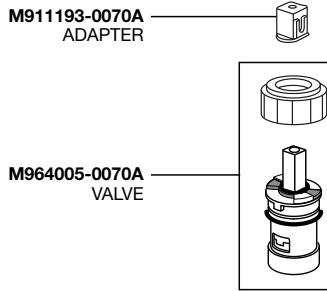
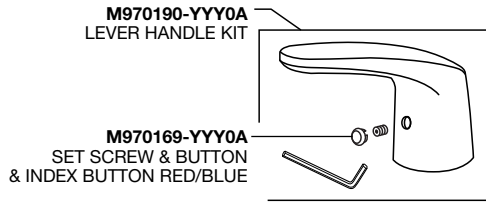
DO NOT: DO NOT CLEAN THE PRODUCT WITH SOAPS, ACID, POLISH, ABRASIVES, HARSH CLEANERS, OR A CLOTH WITH A COARSE SURFACE.

American Standard

COLONY® PRO WIDESPREAD LAVATORY FAUCET

MODEL NUMBER

7075.800
7075.802



Replace the "YYY" with appropriate finish code

POLISHED CHROME	002
LEGACY BRONZE	278
SATIN NICKEL	295

HOT LINE FOR HELP

For toll-free information and answers to your questions, call:
1 (800) 442-1902
Mon. - Fri. 8:00 a.m. to 8:00 p.m. EST
Saturday 10:00 a.m. to 4:00 p.m. EST
IN CANADA 1-800-387-0369
(TORONTO 1-905-306-1093)
Weekdays 8:00 a.m. to 7:00 p.m. EST
IN MEXICO 01-800-839-1200



PART OF LIXIL