

*American Standard*

# INSTALLATION INSTRUCTIONS

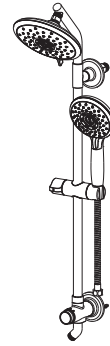
## Spectra Versa™ Shower System

Thank you for selecting American Standard...  
the benchmark of fine quality for over 140 years.

To ensure that your installation proceeds smoothly please read these instructions carefully before you begin.

**9038824**  
(24" Bar 1.8 gpm)

**9038834**  
(36" Bar 1.8 gpm)



Certified to comply with ANSI A112.18.1M

### RECOMMENDED TOOLS AND MATERIALS

Most of the procedures require the use of common tools and materials, which are available from hardware and plumbing supply stores. It is essential that the tools and materials be on hand before work is begun.



Tape Measure



Phillips Head Screwdriver



Level



Drill



Plumbers Tape

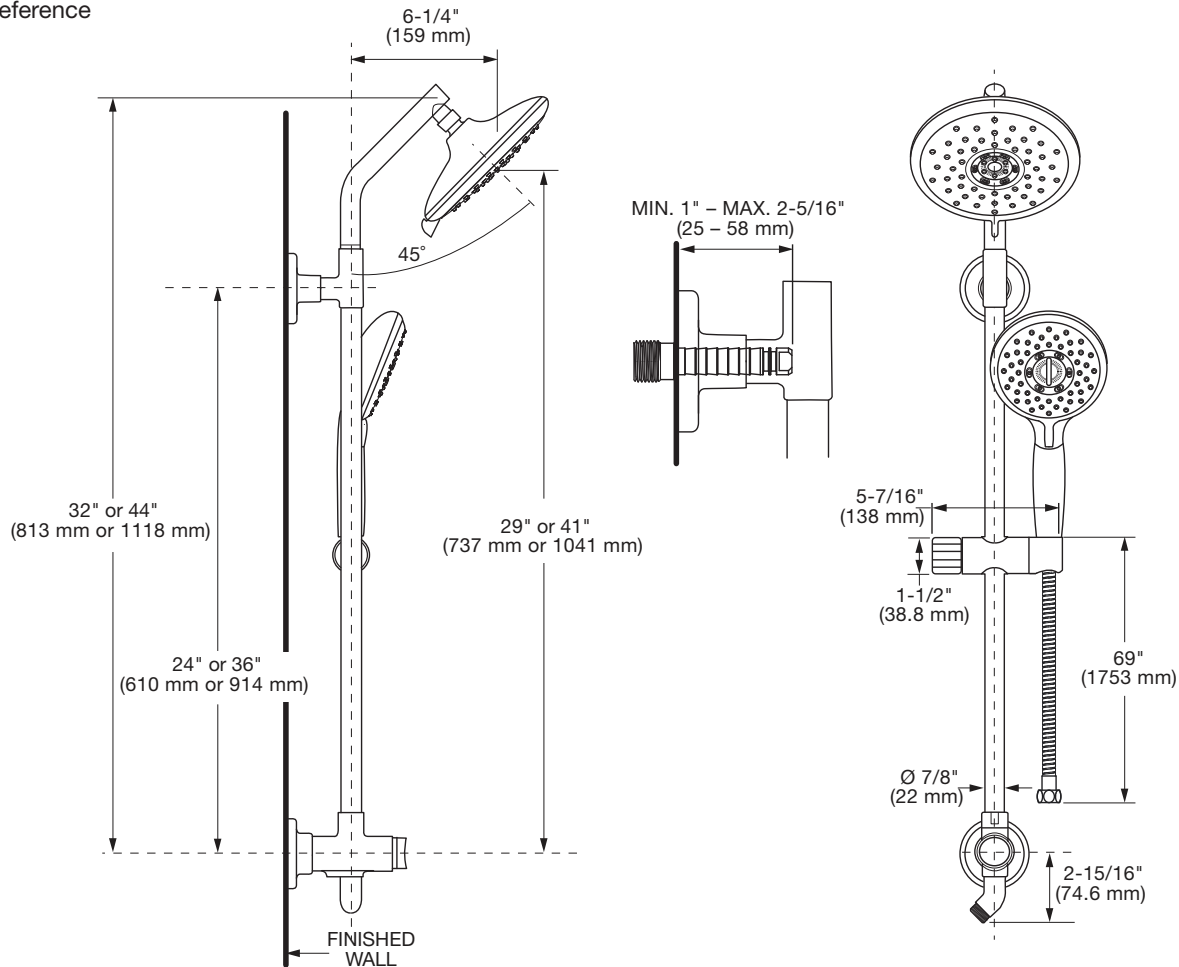
### CARE AND CLEANING

**Do:** Simply rinse the product clean with clear water, dry with a soft cotton flannel cloth.

**Do Not:** Clean the product with soaps, acid, polish, abrasives, harsh cleaners, or a cloth with a coarse surface.

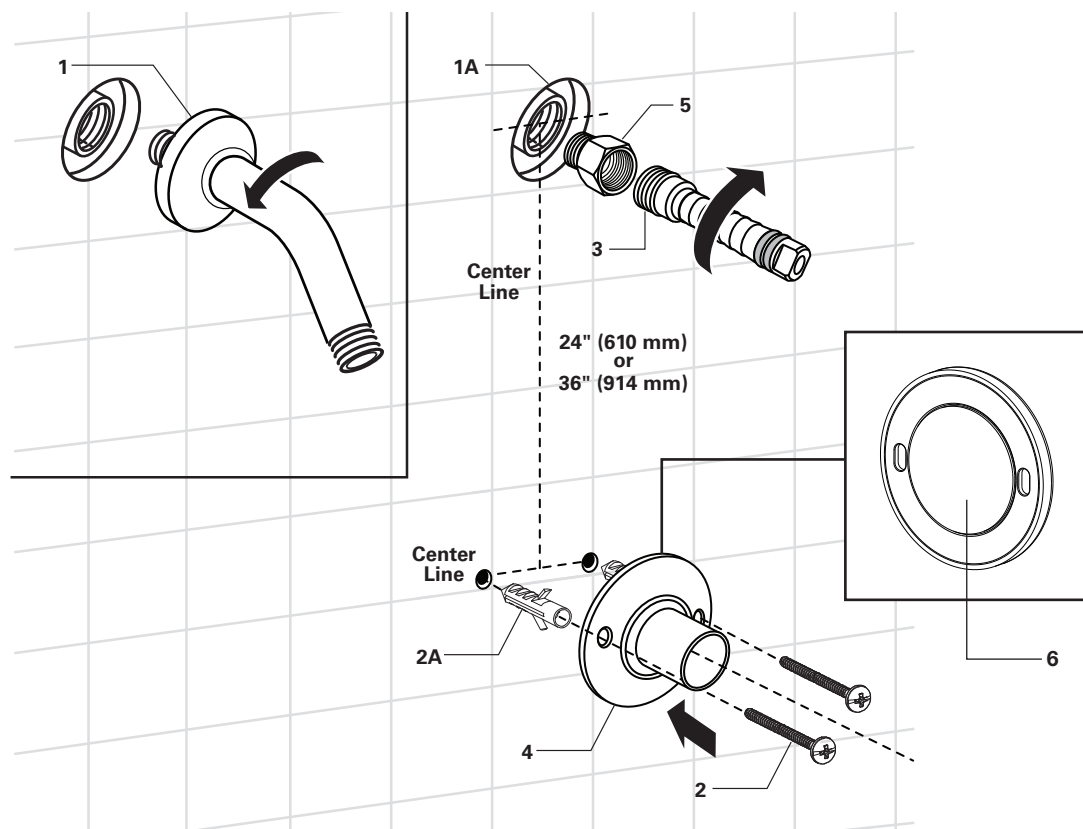
### ROUGHING-IN DIMENSIONS:

- For reference



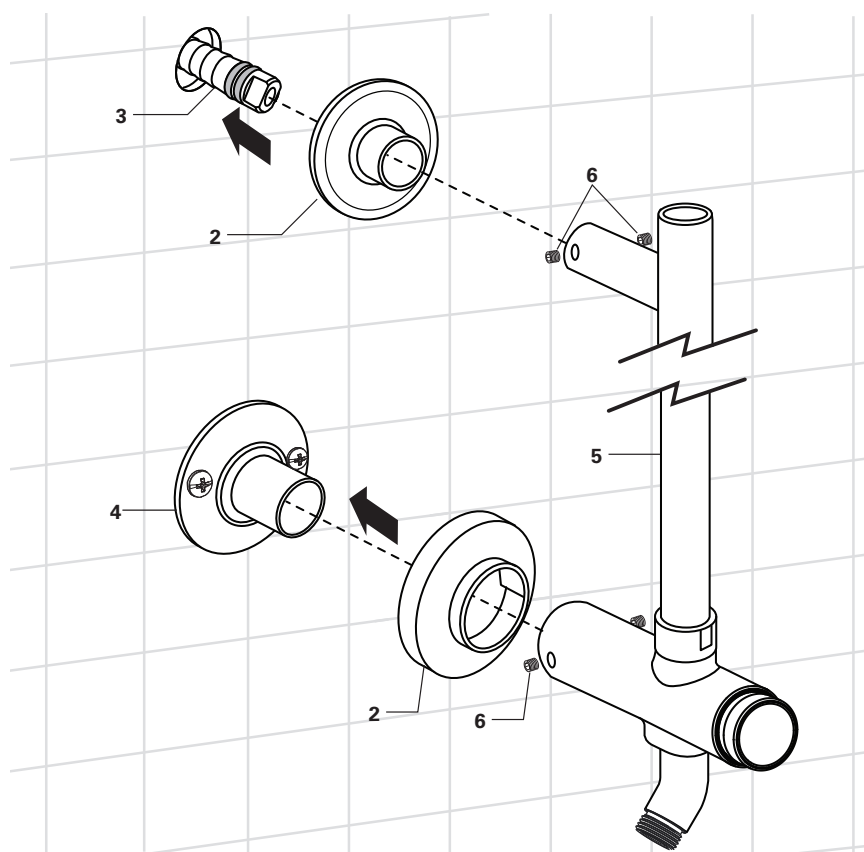
## 1 INSTALL WALL ANCHORS

- Remove Old Shower Arm (1).
- **STEP 1a** Install adapter (3) by screwing it onto the pipe.  
**Optional:** Adapter (3) must protrude from the wall a minimum distance of 1" (25 mm) and a maximum distance of 2-5/16" (58 mm). Install Extension Nut (5) by screwing it onto the pipe if extension is necessary.
- Mark the bottom center line. Use a level to help mark the vertical center line for the mounting location. The distance between the two mounting holes is 24" (610mm) or 36" (914 mm) depending on model.  
**Optional:** The shower bar itself may be used as a template in place of measuring. Slide the shower bar onto Adapter (3), attach Adapter (4) to the shower bar, and mark the location of the two mounting holes from Adapter (4) on the wall.
- The adjustable shower bar works best if secured to a wall stud or cross brace within the wall using screws supplied.  
**Note: This dimension is important and must be maintained. If Bottom Adapter (4) is secured to a stud or cross brace with in the wall, drill small pilot holes for SCREWS (2).**
- For installations on drywall or tiled walls: Use ANCHORS (2A) and SCREWS (2) for securing ESCUTCHEON to finished wall. Drill two 1/4" (6 mm) dia. holes a minimum of 1-3/4" (44 mm) deep. Insert the two ANCHORS (2A) flush with face of the finished wall.  
**Optional:** Bottom Adapter may also be installed using DOUBLE SIDED TAPE (6) (already installed on the back surface). For proper installation wipe clean the surface. Peel off the backing and place it at a desired location. Apply pressure and hold it for 30 seconds before releasing it. **Note:** This installation requires 24 hours of dry wall.



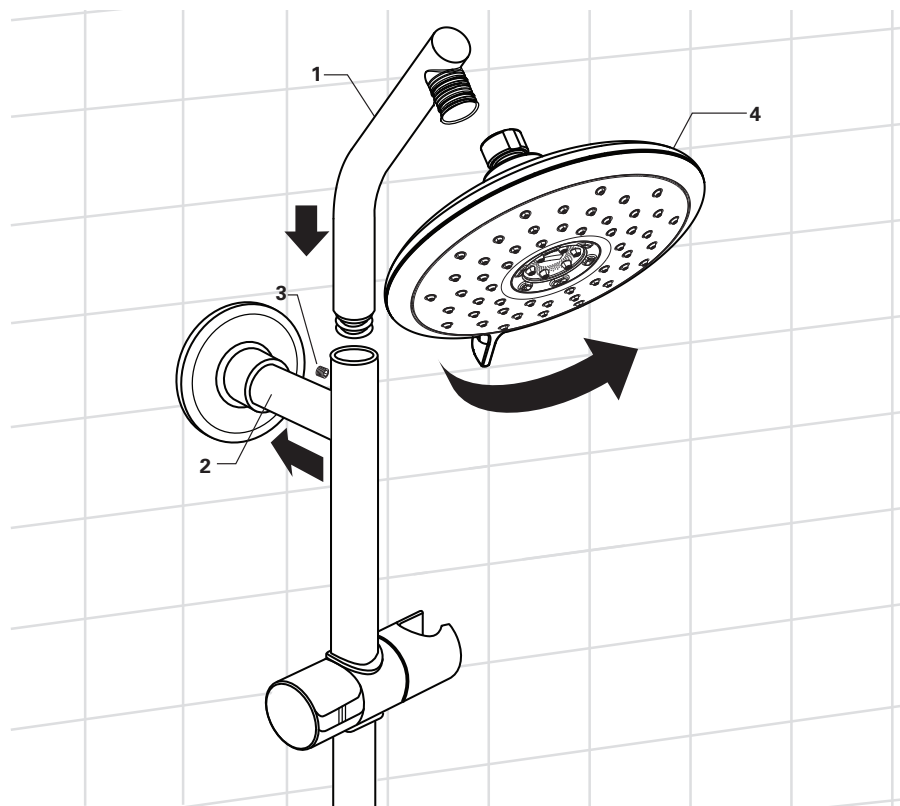
## 2 INSTALL SHOWER BAR

- Slide Escutcheon (1) and (2) onto the Shower Bar (5).
- Apply o-ring grease to the two o-rings on Adapter (3).
- Install Shower Bar (5) onto Adapter (3) and (4).
- Tighten Set Screws (6).
- Slide Escutcheon (1) and (2) against the wall.



### 3 INSTALL SHOWER ARM AND SHOWER HEAD

- Slide shower Arm (1) into T-Holder (2).
- Secure Shower Arm (1) with Set Screw (3).
- Install Shower Head (4) onto Shower Arm (1).



## 4 THREAD HOSE

- Thread Hose (1) onto shower bar.
- Direct Spray into tub and turn hand shower valve on to clear any debris.
- Thread Hose (1) into Hand Shower (2).
- Use KNOB (3) on HOLDER (4) to adjust hand Shower (2) height on the slide bar.
- Press Button (5) to cycle through the shower modes to ensure functionality.

