

INSTALLATION INSTRUCTIONS

FREESTANDING TUB

HIGH GLOSS ACRYLIC SURFACE

American Standard

Town Square® S Model 2546

Thank you for selecting American Standard...the benchmark of fine quality for over 100 years. To ensure that your installation proceeds smoothly--please read these instructions carefully before you begin.

BEFORE YOU BEGIN....

Local building codes vary by location. Observe all local plumbing and building codes.

Your new bath is shipped to you after careful inspection.

To ensure maximum performance and pleasure from this product, please follow the instructions and cautions.

▲ NOTE: Take extra care in handling surfaces of the bath. Use only non-abrasive cloths to avoid scratching.

TOOLS & MATERIALS REQUIRED

TOOLS:

- Level
- Square
- Tape Measure
- Pipe Wrench
- Slip Joint Pliers

- Standard Woodworking Tools
- Personal Safety Equipment
- Caulking Gun
- Drill
- Hole Saw

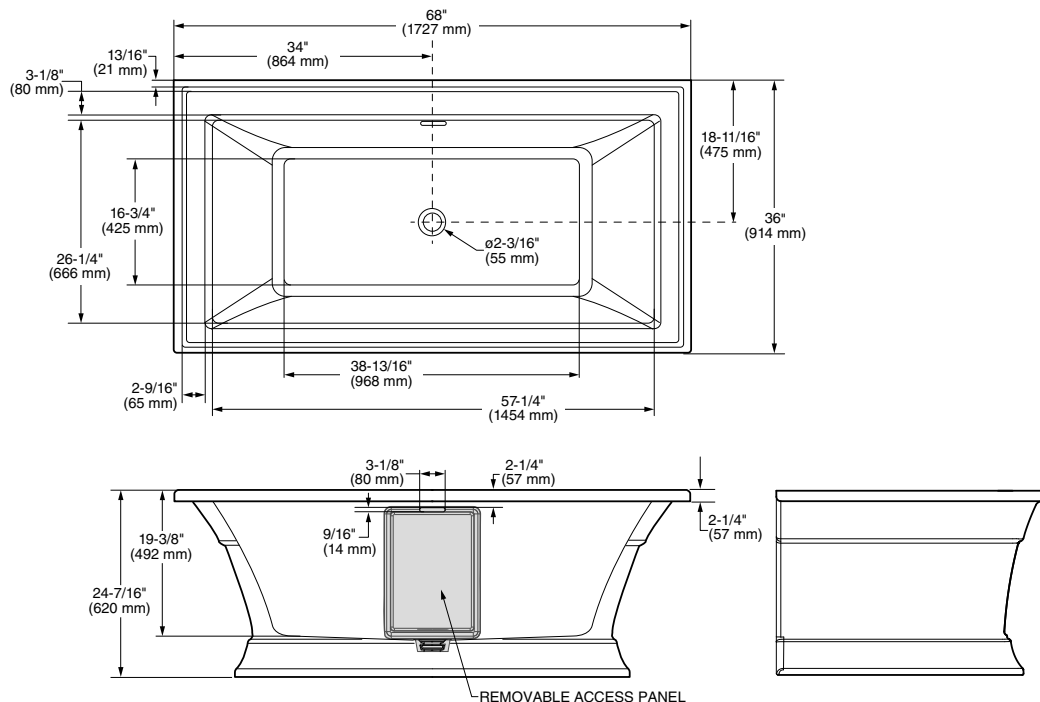
MATERIALS:

- Silicone Caulking
- Tub & Tile Caulk

*** NOTE:** Must purchase Drain Kit 1614.305.YYY which contains matched finish metal overflow cover and drain.

ROUGH-IN INFORMATION: FREESTANDING TUB

Model 2546



GENERAL SPECIFICATIONS FOR 2546 FREE STANDING BATH

INSTALLED SIZE	68 x 36 x 24-7/16 in. (1727 x 914 x 620mm)
WEIGHT	163 Lbs. (74 Kg.)
WEIGHT w/WATER	782 Lbs. (355 Kg.)
GAL. TO OVERFLOW	74 Gal. (280L)
BATHING WELL AT SUMP	38-13/16 x 16-3/4 In. (986 x 425mm)
BATHING WELL AT RIM	57-1/4 x 26-1/4 In. (1454 x 666mm)
WATER DEPTH TO OVERFLOW	17 In. (431mm)
FLOOR LOADING	46 Lbs./Sq.Ft. (225 Kgs./Sq.m)
(PROJECTED AREA)	

USE FOR FUTURE SAVE

NOTE: Tub water fittings can be installed in one of 3 ways; Wall Mounted, Floor Mounted or Deck Mounted.

Location of the access panel must be considered BEFORE installation of the tub. The tub access panel must be accessible if connecting deck mount fillers. Drain connection can be mounted through the access panel or through the floor.

1 **INSTALLATION INSTRUCTIONS:**

Place the tub on a finished, level floor in the desired location.
Using a marker, trace the outline of the tub drain hole onto the floor.

NOTE: If using existing P-Trap location, then skip to Step 3.

2 Install the P-Trap in the marked drain location. P-Trap is installer provided.

3 Place the tub again in the desired location with the drain hole directly in line with the P-trap.
Using an erasable marker or pencil, trace the outline of the tub on the floor (see Fig. 1).

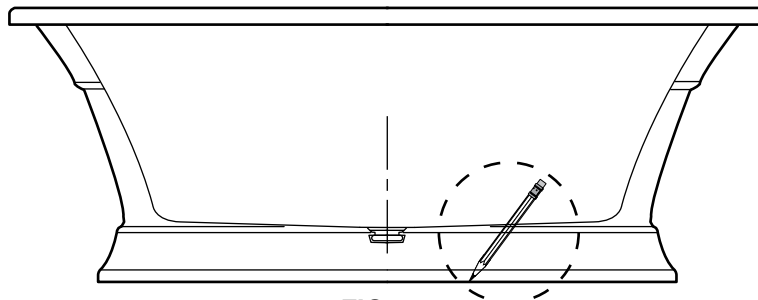


FIG. 1

4 Using the adjustable feet on the underside of the tub, ensure that the tub is level.
Ensure that there is a gap between the tub base and the floor. Gap shall not exceed 3/16" (5mm). (See Fig. 2)

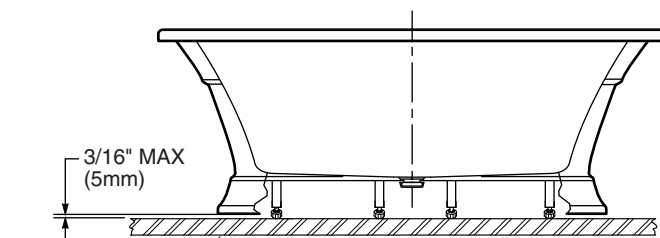


FIG. 2

5

Install drain per instructions provided with Drain Kit 1614.305.YYY.

Drain Kit 1614.305.YYY purchased separately.

6

INSTALLING THE 1-1/2" (38mm) DIAMETER TAIL PIECE ASSEMBLY INTO P-TRAP

8" (203mm) tail piece included with Drain Kit 1614.305.YYY.

A slip-joint nut and a flanged, 1-1/2" (38mm) diameter tail piece are recommended. (See Fig. 3)

Slide the slip-joint nut over tail piece towards the flanged end as shown.

Slide the P-trap slip-joint nut and seal over the tail piece as shown.

Insert the tail piece into the P-trap.

The flange of the tail piece should be approximately 2" (51mm) above the finished floor when fully inserted to the P-trap.

The tail piece can be cut if necessary.

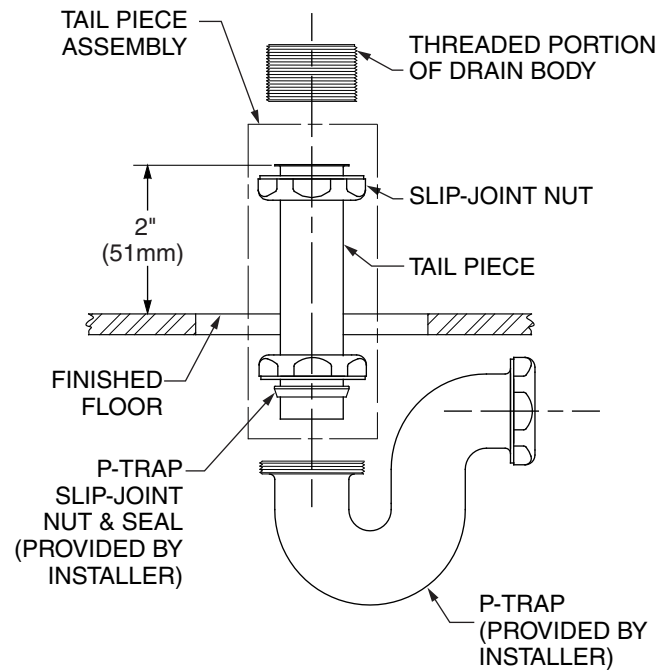


FIG. 3

7

Carefully set the tub into position using the outline on the floor as a guide. Connect the tailpiece to the tub drain. Tighten all of the drain connections.

8

Fill the tub with water and drain. Check for leaks and re-tighten connections as necessary.

9

Apply a bead of Tub & Tile caulk around the bottom edge of the tub where it meets the floor. Remove any excess caulking.

POST INSTALLATION CLEAN-UP

Remove all construction debris from bath.

Do not use wire brushes or any other metal implement on bath surface.

Post installation clean-up generally can be completed using warm water and liquid dishwashing detergent. Stubborn dirt or stains may be removed using granular Spic and Span® mixed with water.

Painter's naphtha can be used to remove excess adhesives and/or wet oil-base paint.

FEATURES of YOUR NEW AMERICAN STANDARD BATHTUB

Your new bathtub has been molded in the newest plumbing fixture material available today. The unit has a tough durable finish that is simple and easy to care for.

The colors have been formulated to enhance your choice of bathroom decorations. The high gloss surface is resistant to impact and chemicals and will retain its lasting luster with proper care and maintenance.

AFTERCARE and CLEANING

- Always fill the tub with temperate water. Excessively hot water may cause surface damage.
- Remove bath mat after use and hang to dry. Allowing bath mat to dry in the tub may cause surface damage.
- Clean after use with a mild liquid household detergent cleaner. Abrasive cleaners such as Lestoil®, Lysol® Disinfectant (spray or concentrate), or Lysol® Basin, Tub and Tile Cleaner, Windex®, Mr. Clean®, Dow® Disinfectant Bathroom Cleaner, or cleaning products in aerosol cans should not be used.

HARSH CHEMICALS SHOULD NEVER BE USED ON ACRYLIC SURFACES.

- Do not use wire brushes, knives or sharp objects to remove stains, cigarette tar deposits, or other surface blemishes.
- Abrasive cleaners or powders must not be used, since they will dull the surface. If the glossy surface loses its sheen, dulled areas can be restored by rubbing with a white polishing compound and waxing with a "liquid wax."
- **Do not wax areas where you walk or stand.**
- Do not allow nail polish remover, acetone, dry cleaning fluid, paint remover or other solvents to come into contact with the surface.
- Clean the surrounding surface immediately after using caustic drain cleaners.
- Burning cigarettes will damage the surface.
- Should damage to the fixture occur, repairs can be made. Your distributor or builder can provide details.

SPIC AND SPAN® is a registered trademark of The Spic And Span Company

LESTOIL® is a registered trademark of the Clorox Company

LYSOL® is a registered trademark of Reckitt Benckiser

WINDEX® is a registered trademark of S.C. Johnson & Son, Inc

MR. CLEAN® is a registered trademark of Agile Pursuits Franchising, Inc.

DOW® is a registered trademark of Dow Chemical Company

AS AMERICA, INC. LIMITED LIFETIME WARRANTY FOR TUBS AND SHOWER BASES

AS America, Inc. ("American Standard") warrants to the original consumer purchaser that it will, at its option, repair or replace this tub/shower base – American Standard, in its sole judgment, to be defective under normal residential use and maintenance so long as it is owned by the original consumer purchaser.

To activate this limited warranty, the purchaser must go online to our website at www.americanstandard-us.com/warranty to register their tub/shower base within thirty (30) days of purchase.

In no event will American Standard be liable for the cost of repair or replacement of any installation materials including but not limited to tile, marble, etc.

This limited warranty does not apply to Commercial Installations. The warranty for Commercial Installations is three (3) years.

This limited warranty DOES NOT COVER the following:

1. Defect or damages arising from shipping, installation, alterations, accidents, abuse, misuse, lack of proper maintenance and cleaning as directed in the Installation Instruction Manual and use of other than genuine American Standard replacement parts, in all cases whether caused by a plumbing contractor, service company, the owner or any other person.
2. Deterioration through normal wear and tear and the expense of normal maintenance.
3. Commercial application.
4. Options and accessories. American Standard's limited warranty on these items is **one year for parts only and excludes labor**. This one year limited warranty covers accessories manufactured by American Standard (e.g. aprons, drains, grab bars, heaters, trim kits) against defects of material or workmanship. Warranty coverage begins on the date the accessory was originally purchased by the owner.
5. Shipping cost for returning products for repairs or replacement under the limited warranty and labor or other cost incurred in connection with product removal or installation under this limited warranty.
6. ANY LIABILITY FOR CONSEQUENTIAL OR INCIDENTAL DAMAGES, ALL OF WHICH ARE HEREBY EXPRESSLY DISCLAIMED, OR THE EXTENSION BEYOND THE DURATION OF THIS LIMITED WARRANTY OF ANY IMPLIED WARRANTIES, INCLUDING THOSE OF MERCHANTABILITY OR FITNESS FOR AN INTENDED PURPOSE. (Some jurisdictions do not allow limitations on how long an implied warranty lasts, or the exclusion or limitation of incidental or consequential damages, so these limitations and exclusions may not apply to you.)
7. Responsibility for compliance with local code requirements. (Since local code requirements vary greatly, distributors, retailers, dealers, installation contractors and users of plumbing products should determine whether there are any code restrictions on the installation or use of a specific product.)

This limited warranty gives you specific legal rights. You may have other statutory rights that vary from state to state or from province to province, in which case this warranty does not affect such statutory rights.

For service under this warranty, it is suggested that a claim be made through the contractor or dealer from or through whom the product was purchased, or that a service request (including a description of the product model and of the defect) be sent to the following address:

In the United States:

American Standard Brands
1 Centennial Ave.

Piscataway, New Jersey 08854
Attention: Director of Customer Care

For residents of the United States, warranty information may also be obtained by calling the following toll free number: (800) 442-1902
www.americanstandard.com

In Canada:

AS Canada, ULC
5900 Avebury Rd.
Mississauga, Ontario
Canada L5R 3M3

Toll Free: (800) 387-0369
www.americanstandard.ca

In Mexico:

American Standard B&K Mexico
S. de R.L. de C.V.
Via Morelos #330
Col. Santa Clara

Ecatepec 55540 Edo. Mexico
Toll Free: 01-800-839-1200
www.americanstandard.com.mx