

SPECTRA+ TOUCH™
Shower Head For all Models

Thank you for selecting American Standard...
the benchmark of fine quality for over 100 years.

To ensure that your installation proceeds smoothly-please read
these instructions carefully before you begin.



Certified to comply with ANSI A112.18.1M

RECOMMENDED TOOLS AND MATERIALS

Most of the procedures require the use of common tools and materials, which are available from hardware and plumbing supply stores. It is essential that the tools and materials be on hand before work is begun.



Channel Locks



Adjustable Wrench



Teflon Tape



Plumbers' Grease

CARE AND CLEANING

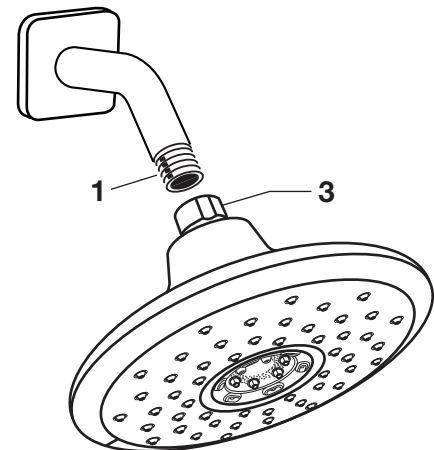
Do: Simply rinse the product clean with clear water, dry with a soft cotton flannel cloth.

Do Not: Clean the product with soaps, acid, polish, abrasives, harsh cleaners, or a cloth with a coarse surface.

**1 INSTALL SHOWER HEAD
SHOWER ARM WITH FLANGE**

CAUTION Protect finish on SHOWER HEAD
and TUB SPOUT when installing.

- Apply sealant or Teflon tape to threads on SHOWER ARM (1).
- Thread SHOWER HEAD (3) onto the SHOWER ARM (1).



1a INSTALL REMOTE (OPTIONAL)

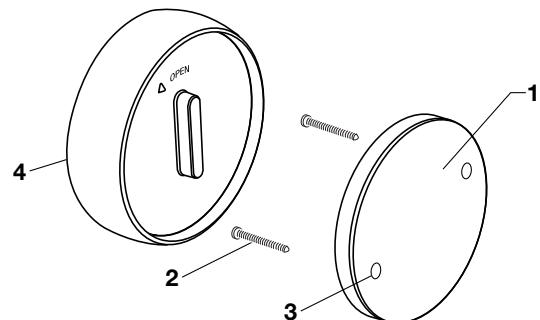
- Identify desired remote location and wipe mounting surface clean before installing the remote. Use the Yellow tag to separate REMOTE BASE (1) from REMOTE FACE (4).
- To install the remote follow either **Option 1** or **Option 2**.

Option 1

- Peel the film off of the double sided tape and install REMOTE BASE (1) to the desired location. Once the REMOTE BASE (1) is properly seated, install REMOTE FACE (4) by placing over the REMOTE BASE (1) and gently pushing it forward.

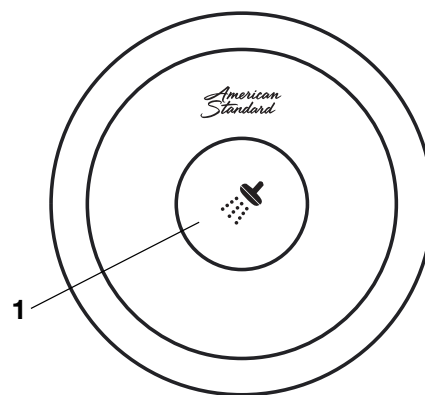
Option 2

- Place REMOTE BASE (1) in the desired location and drill holes using the HOLES (3) on the REMOTE BASE (1) as templates and install SCREWS (2) (Make sure to not ruin the finish). Install REMOTE FACE (4) by placing over the REMOTE BASE (1) and gently pushing it forward.



2 INSTALLATION TEST

- Turn water supplies on and check for leaks.
- Using your finger touch the Rim (Grey shaded area) (1) to switch between different modes.



2a REMOTE FUNCTIONALITY TEST (OPTIONAL)

- Press on Button (1) to switch between different modes.

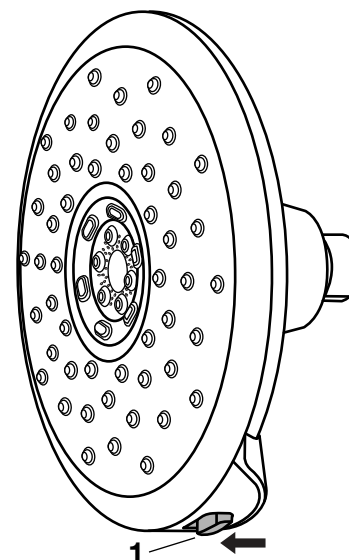
3 SERVICE

- Clean the Nozzles on the shower head by massaging each nozzle using your finger.
- Clogged nozzles can also be cleaned using toothbrush. Dip the toothbrush in vinegar and gently rub the nozzles with dipped toothbrush. Turn the shower on and let the water run for some time to clear the vinegar out.

BATTERY NEEDS REPLACEMENT:

For Shower Head

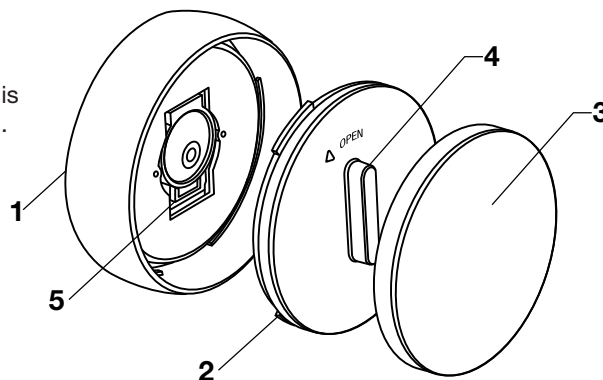
- When battery is low, the shower head will switch to the drench function and touch and/or remote function will stop working.
- Push Button (1) forward and pull the tray out. Replace the batteries and place the tray back in. (Note: Make sure to push the tray in until you hear a click.)
- Replace batteries in battery holder with Qty (3) AA alkaline type batteries.
- Always change all 3 batteries. Failure to replacing all 3 batteries at the same time may cause electronics to not work properly.
- Battery lifetime is approximately 5 year under normal use.



For Remote

Note: Shower Head is not restricted to a specific remote.

- If the touch function on the shower head is still working, then that is the indication that the battery for the remote needs to be changed.
- Replace batteries in battery holder with Qty (1) 3v Lithium cell.
- Pull Remote Face (1) to separate the Remote Base (3) from Remote Face (1). Unthread Cover (2) by turning counter clockwise. Push Spring (5) back to release the battery. Once the battery is replaced, Thread Cover (2) by turning it clock wise. Install Remote Face (1) back onto Remote Base (3), making sure that knob (4) aligns with the Remote Base (3).
- Battery lifetime is approximately 5 year under normal use.



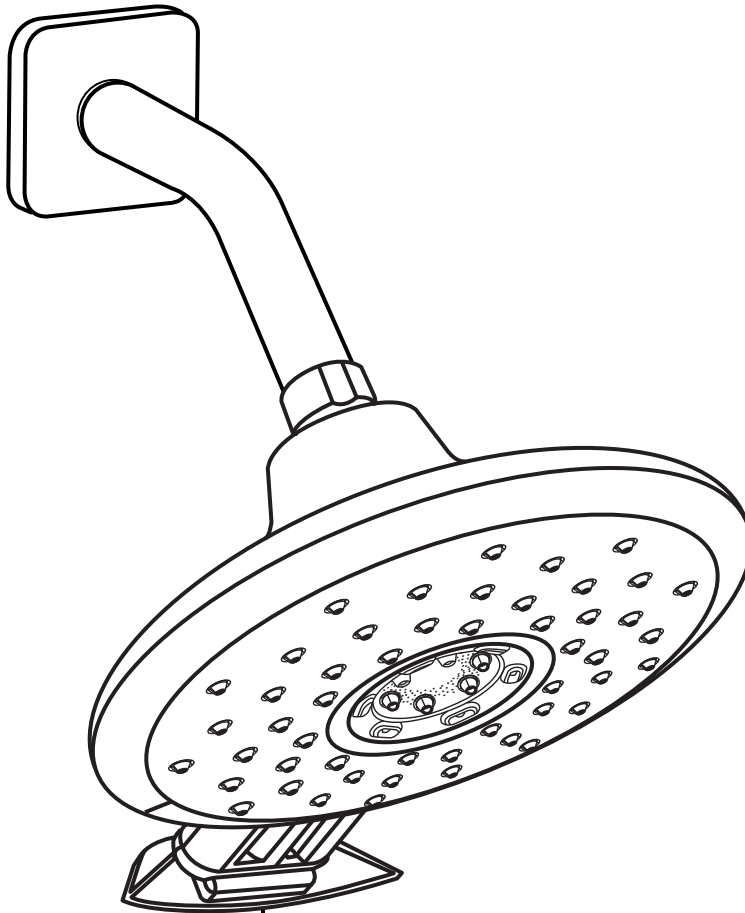
American Standard

SPECTRA+ TOUCH™
Shower Head For all Models

MODEL NUMBER

9035.374

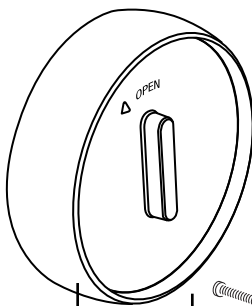
9038.374



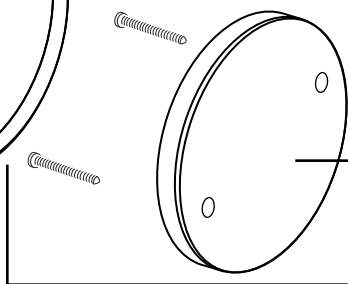
M970330-0070A
BATTERY HOLDER

Replace the "YYY" with appropriate finish code

POLISHED CHROME	002
LEGACY BRONZE	278
BRUSHED NICKEL	295
POLISHED NICKEL	013



M970331-YYY0A
REMOTE



M970332-0070A
MOUNTING KIT

M970333-0070A
MOUNTING TAPE

HOT LINE FOR HELP

For toll-free information and answers to your questions, call:

1 (800) 442-1902

Mon. - Fri. 8:00 a.m. to 8:00 p.m. EST

Saturday 10:00 a.m. to 4:00 p.m. EST

IN CANADA 1-800-387-0369

(TORONTO 1-905-306-1093)

Weekdays 8:00 a.m. to 7:00 p.m. EST

IN MEXICO 01-800-839-1200



PART OF **LIXIL**