

American Standard

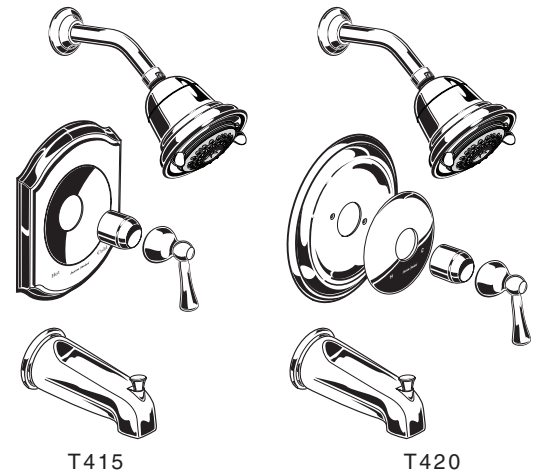
Installation Instructions

T415.50X T420.50X Series

PORTSMOUTH™ IN WALL PRESSURE BALANCING BATH AND SHOWER TRIM KIT

*Thank you for selecting American-Standard...
the benchmark of fine quality for over 100 years.*

*To ensure that your installation proceeds smoothly...
please read these instructions carefully before
you begin.*

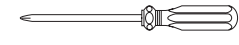


T415

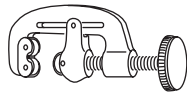
T420

Certified to comply with ANSI A112.18.1
M965028 REV.1.7 (12/14)

Recommended Tools



Phillips Screwdriver



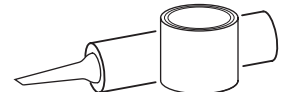
Tubing Cutter



Channel Locks



Teflon Tape



Plumbers' Putty or Caulking



Flat Blade Screwdriver



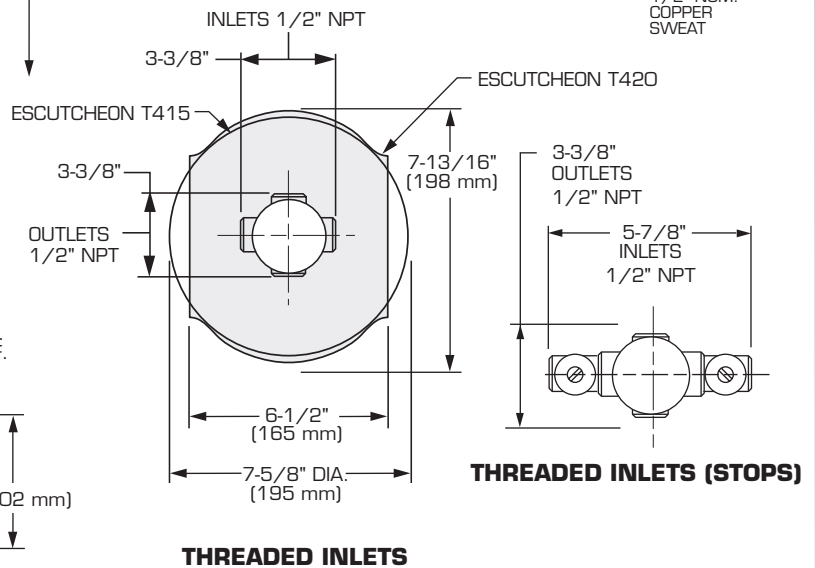
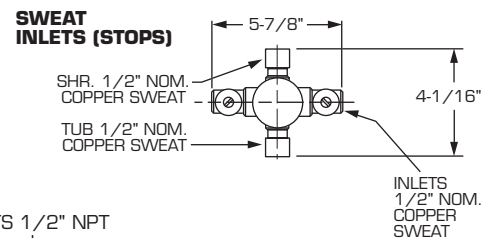
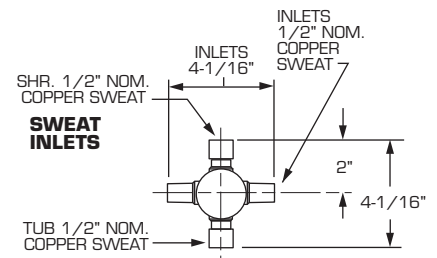
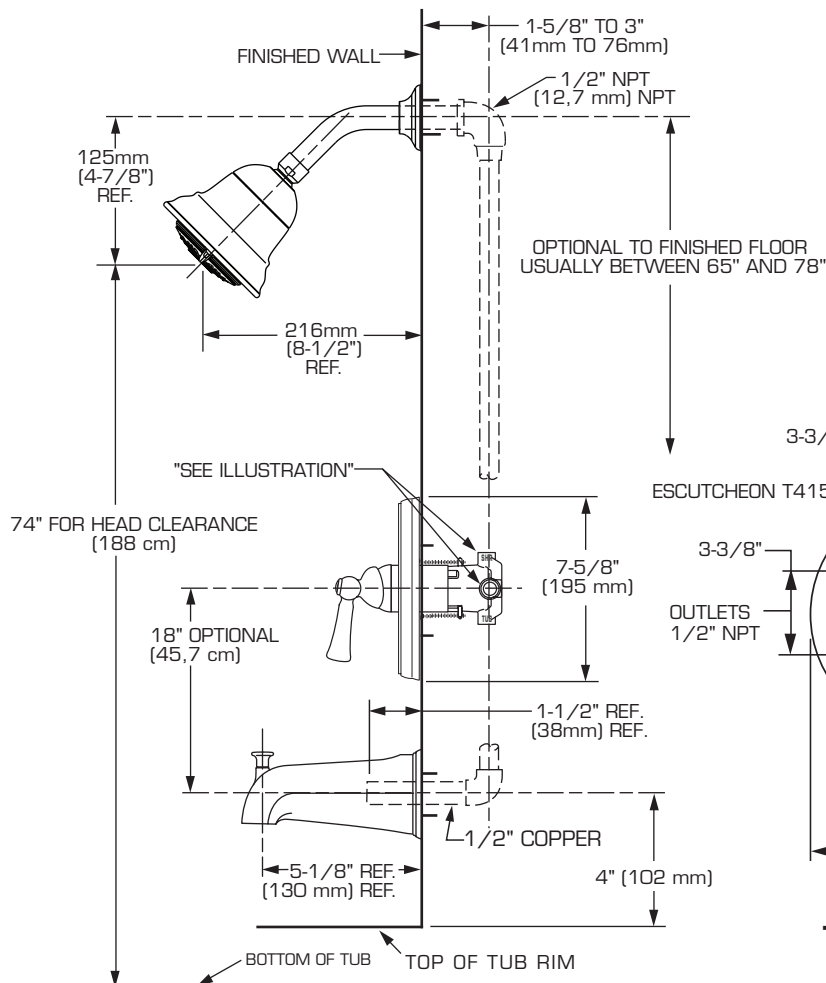
5/64" Hex Wrench



Adjustable Wrench

ROUGHING-IN DIMENSIONS

- To assure proper positioning in relation to wall, note roughing-in dimensions.



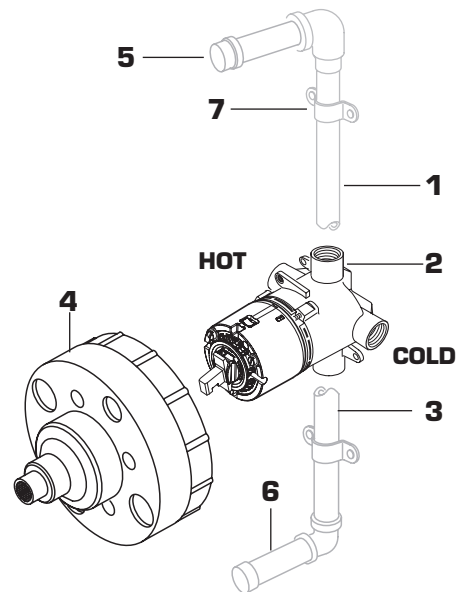
1 ROUGHING-IN

CAUTION

Turn off water at main supply.

NOTE When soldering, remove **PLASTER GUARD, CARTRIDGES** and **CHECK STOPS (IF PRESENT)**. When finished soldering, flush valve body, replace cartridges, check stops (if present) and plaster guard to continue installation. Use thread sealant or Teflon tape on threaded connections.

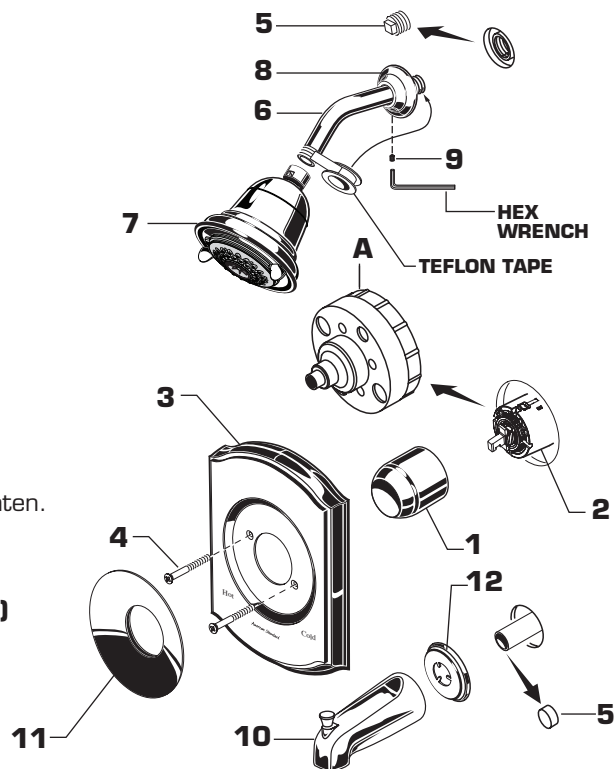
- See Roughing-in diagram before starting.
Connections are:
 - 1/2" female NPT for threaded inlets.
- Connect **RISER PIPE (1)** to **MANIFOLD (2)** top outlet marked "SHR".
- Connect **TUB FILLER PIPE (3)** at bottom outlet marked "TUB".
- For proper positioning the finished wall must be within side wall of **PLASTER GUARD (4)**.
- If the valve is installed on a fiberglass or other thin wall application, the **PLASTER GUARD (4)** can be used as a support.
 - Cut a 3" dia. hole in the shower stall.
 - Drill two additional 1" holes to allow access to the stops. (If applicable).
 - Remove **PLASTER GUARD (4)**, rotate 90° so that indicated screw holes fit **MANIFOLD (2)**.
 - Push **CAP** on valve, place **ESCUTCHEON** on and attach with screws.
- Connect hot and cold water supplies.
- Cap off shower pipe **(5)** and tub filler pipe **(6)**.
- For support, use pipe **BRACES (7)** secured to wooden braces.
- With valve turned off, turn on water supplies. Check for leaks



2 INSTALL TRIM (T415 & T420) - T415 illustrated

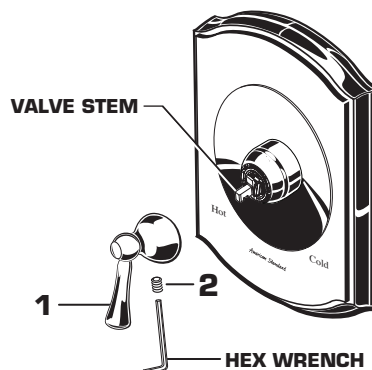
CAUTION: Protect finish on SHOWER ARM, SHOWER HEAD and TUB SPOUT when installing.

- When finished tiling the wall, remove **PLASTER GUARD (A)** and turn off water supply.
- Push **CAP (1)** over **VALVE CARTRIDGE (2)**.
- Mount **ESCUTCHEON (3)** and gasket to valve body with **SCREWS (4)**.
- Press **DIAL PLATE (11)** onto **CAP (1)**, flush against **ESCUTCHEON (3)**.
- Remove **PIPE CAP & PLUG (5)** from shower pipe and tub filler pipe.
- Apply Teflon Tape to both ends of **SHOWER ARM (6)**.
- Install **SHOWER ARM (6)** with **FLANGE (8)** into shower pipe and tighten.
- Thread **SHOWER HEAD (7)** onto **ARM (6)** and tighten.
- Push **SHOWER ARM FLANGE (8)** to wall and tighten **SET SCREW (9)** with 5/64" hex wrench.
- Install **SPOUT ESCUTCHEON (12)** and **DIVERTER SPOUT (10)**.



3 INSTALL HANDLE and TEST FITTING

- Align and install **HANDLE (1)** onto valve stem. Tighten **SET SCREW (2)** using 2.5mm Hex Wrench supplied.
- Check proper operation of **HANDLE (1)**.
- Turn on water supply on and test installed fitting. Operate valve and diverter spout.

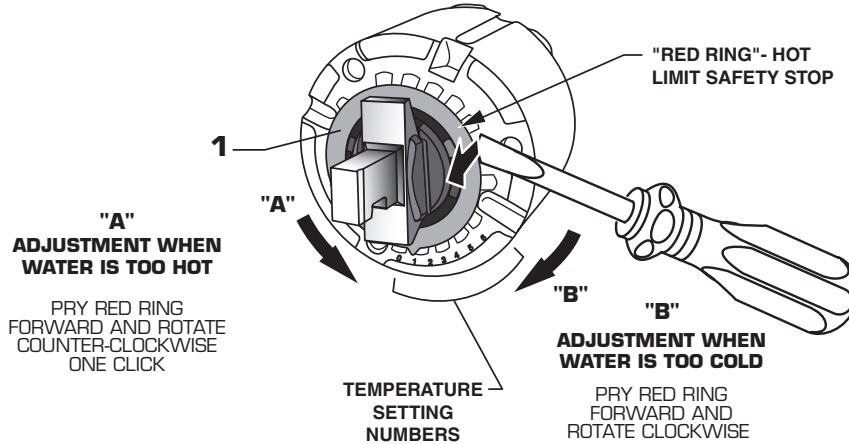


4 ADJUST HOT LIMIT STOP

HOT LIMIT SAFETY STOP ADJUSTMENT

By restricting handle rotation and limiting the amount of hot water allowed to mix with the cold, the HOT LIMIT SAFETY STOP reduces risk of accidental scalding. To set the maximum hot water temperature of your faucets, all you need to do is adjust the setting on the HOT LIMIT SAFETY STOP.

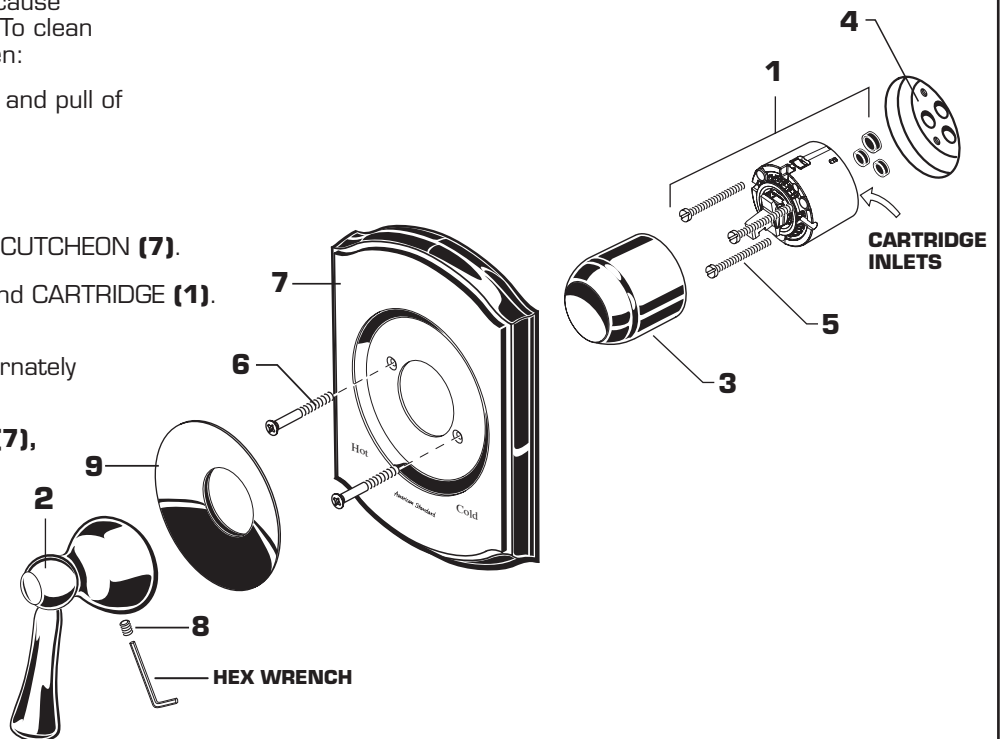
- Use a flat blade screwdriver or your fingers to pull up and rotate red HOT LIMIT SAFETY STOP **(1)**. Follow Step "A" or "B" to adjust min./max. discharge temperature. "0" being the hottest to "7" the coldest temperature setting. Factory set at "0".



5 SERVICE

- If faucet drips, operate handle several times from "off" to "on". Do not apply excessive force.
- Clogged CARTRIDGE **(1)** inlets may cause reduced flow in "full on" hot or cold. To clean inlets, first turn off water supply, then:

- Loosen HANDLE SET SCREW **(8)** and pull off HANDLE **(2)**.
- Pull off DIAL PLATE **(9)**.
- Remove two SCREWS **(6)** holding ESCUTCHEON **(7)** and remove ESCUTCHEON **(7)**.
- Remove CAP **(3)**, SCREWS **(5)** and CARTRIDGE **(1)**. Clean inlets and MANIFOLD **(4)**.
- Reassemble CARTRIDGE **(1)**, alternately tightening SCREWS **(5)**.
- Replace CAP **(3)**, ESCUTCHEON **(7)**, DIAL PLATE **(9)** and HANDLE **(2)**. Check flow.



6 CARE INSTRUCTIONS

DO: SIMPLY RINSE THE PRODUCT CLEAN WITH CLEAR WATER. DRY WITH A SOFT COTTON FLANNEL CLOTH.

DO NOT: CLEAN THE PRODUCT WITH SOAPS, ACID, POLISH, ABRASIVES, HARSH CLEANERS, OR A CLOTH WITH A COARSE SURFACE.

PORTSMOUTH™
IN WALL PRESSURE
BALANCING BATH AND
SHOWER TRIM KIT

MODEL NUMBER

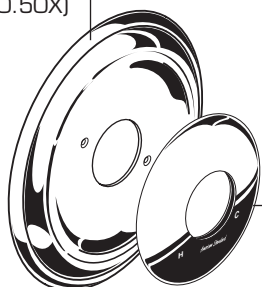
T415.50X
T420.50X
Series

060351-YYY0A
 SHOWER ARM AND FLANGE



1660113-YYY0A
 SHOWER HEAD

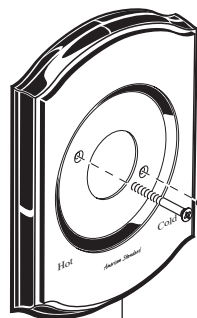
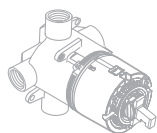
M961810-YYY0A
 ESCUTCHEON
 (T420.50X)



M961623-0020A
 DIAL PLATE & SEAL
 (T420.50X)

Replace the "YYY" with appropriate finish code

CHROME	002
BLACKENED BRONZE	068
OIL RUBBED BRONZE	224
SATIN NICKEL	295



078016-YYY0A
 ESCUTCHEON SCREWS

M962594-YYY0A
 DIAL PLATE & SEAL
 (T415.50X)

M962949-YYY0A
 ESCUTCHEON AND SCREWS
 (T415.50X)

M907050-YYY0A
 CARTRIDGE COVER



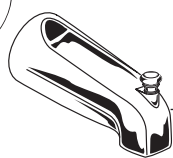
M962950-YYY0A
 LEVER HANDLE



907520-YYY0A
 SPOUT ESCUTCHEON



M950272-YYY0A
 DIVERTER SPOUT (SLIP-ON)



HOT LINE FOR HELP

For toll-free information and answers to your questions, call:
 1-800-442-1902
 Weekdays 8:00 a.m. to 6:00 p.m. EST
 IN CANADA 1-800-387-0369 (TORONTO 1-905-306-1093)
 Weekdays 8:00 a.m. to 7:00 p.m. EST
 IN MEXICO 01-800-839-1200