

OWNERS MANUAL

714AA / 214AA Series ActiClean™

THANK YOU

Keeping a clean and healthy home just got easier with the American Standard ActiClean™ toilet.

Introducing the ActiClean toilet, the first self-cleaning toilet by American Standard. The ActiClean self-cleaning toilet-bowl system makes cleaning effortless. All it takes is one simple press of a button to activate the cleaning system and in minutes your bowl is sparkling clean.

ActiClean features two cleaning cycles, Deep Clean and Quick Clean, and comes with a 9 week supply of cleaning solution (based on a usage of 1 Quick Clean and 1 Deep Clean per week). ActiClean does not require an electrical outlet; it is powered by 4AA alkaline batteries (included) which last up to 1 year.

In this document you will find information on how to install and operate the ActiClean toilet, frequently asked questions, and troubleshooting guides. If you have any questions or need help with installation or operation of your new toilet, you can rest assured that our Customer Service team is available to assist you.

To find out more about ActiClean technology or follow an instructional video visit www.americanstandard.com/Acticlean

At American Standard we continually work harder to raise the standard of daily living by making it easier, safer and more beautiful.



Product names listed herein are trademarks of AS America, Inc.
© AS America, Inc. 2016



7302204-100 Rev. B 8/16 EN

*American
Standard*

TABLE OF CONTENTS

If Removing An Existing Toilet.....	page 3
Back-to-Back Installation.....	page 3
Inside The Box (or Boxes).....	page 3
Care Instructions.....	page 3
Installation Instructions.....	page 4
Installing Toilet Cleaning Cartridge.....	page 8
Operating Cleaning Cycles.....	page 9
Canceling a Cleaning Cycle.....	page 9
Child Lock ON/OFF.....	page 9
ActiClean System Instructions.....	page 9
How Does the ActiClean System Work?.....	page 10
Frequently Asked Questions.....	page 11
ActiClean Unit Troubleshooting Guide.....	page 12
Toilet Troubleshooting Guide.....	page 13
Warranty and Product Registration.....	page 14



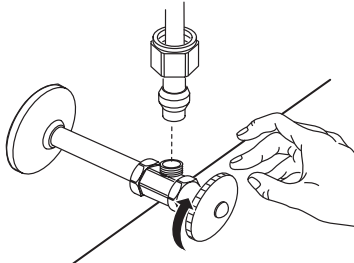
BEFORE INSTALLATION:

Before installing your toilet, please see your product spec page to verify the dimensions and water supply connections. Visit our website where you can search by Model number for the product spec page at: <http://www.americanstandard-us.com/>

For further assistance please call Customer Care at: (800) 442-1902

IF REMOVING AN EXISTING TOILET

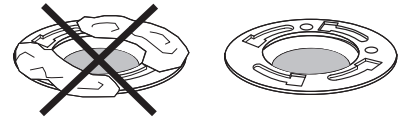
Turn Off Water Supply



Flush to remove water from tank; sponge remaining water from bowl before removing toilet.

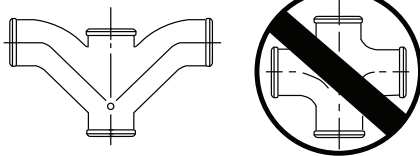


Clean Flange



Caution: If leaving floor flange open for more than 1-2 hours, cover flange to prevent escaping sewer gasses.

BACK-TO-BACK INSTALLATION



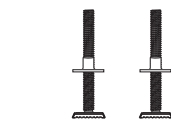
Recommended fitting type for back-to-back installations.

Depending upon your plumbing and venting conditions, the flow from this toilet in a back-to-back installation may create a vacuum on the system and draw water from the opposing bowl. The National Standards Plumbing Code prohibits the use of a cross fitting for drainage as throw over is possible. The code does approve a directional "Y" style fitting with proper venting to direct the water downward and away from the other toilet.

Inside The Box (or Boxes):



Attachment Handle



T-Bolts with Retainer (2)



Nuts (3)



Bolt Caps (2)



Bowl-To-Floor Knobs (2)

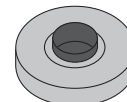


AA Alkaline Batteries (4)



* Toilet Seat

* For seat installation, see instructions included with seat.



** Wax Ring



Toilet Cleaning Cartridge

** SOLD SEPARATELY



Water Supply Line

** WAX RING IS ALSO SOLD SEPARATELY FOR 214AA SERIES ACTICLEAN ONLY.

Care and Cleaning

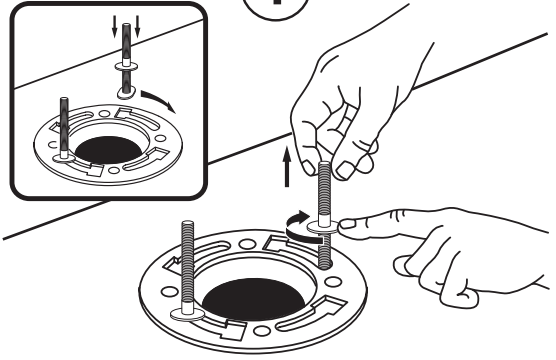
When cleaning your toilet, wash it with mild, soapy water, rinse thoroughly with clear water and dry with a soft cloth.

WARNING: Do not use in-tank cleaners. These products can seriously corrode fittings in the tank. This damage can cause leakage and property damage. American Standard shall not be responsible or liable for any damage caused by the use of in-tank cleaners.

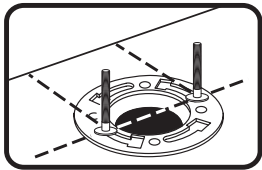
WARNING: The ActiClean™ Toilet Cleaning Cartridge was specially formulated to work with the ActiClean system. Please do not refill the cartridge with any other cleaners. Refilling the cartridge will void the warranty. Some chemicals could damage the parts inside of the tank, potentially causing a leak and the system to fail.

WARNING: Remember to practice safety precautions when operating the ActiClean system. If you have animals or children that may come in contact with the toilet, close the seat while a cleaning cycle is in operation.

1

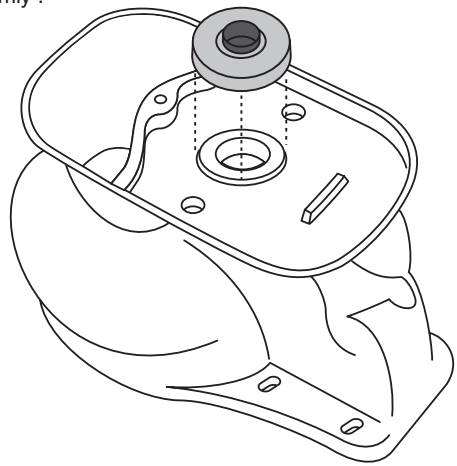


Install T-Bolts onto the flange and screw the retaining nuts to hold into place.



2

Flip the bowl upside down and press the wax ring down firmly .



3

Align the bowl and bolt holes to set into place. Apply weight evenly.

Do not move after placement as water tight seal may break.

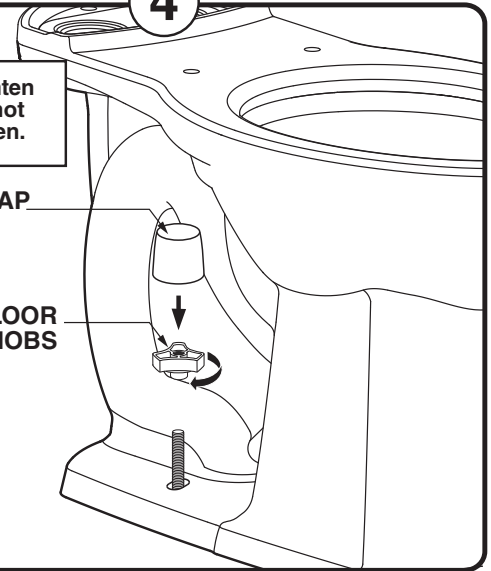


TIP: Place a piece of masking tape on the floor next to the bolts on both sides to help with alignment.

4

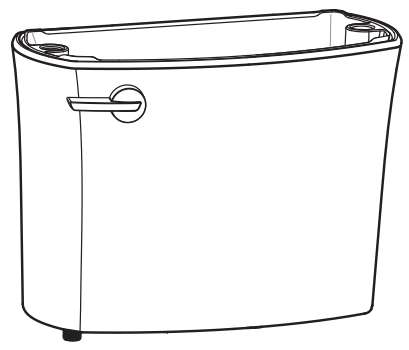
⚠ Hand tighten only. Do not overtighten.

BOLT CAP
BOWL-TO-FLOOR KNOBS



5

Remove all packaging.

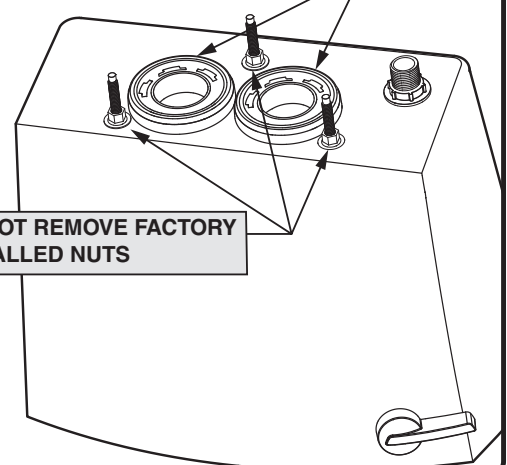


6

Flip the tank over to confirm gaskets are fully seated on tank.

GASKETS

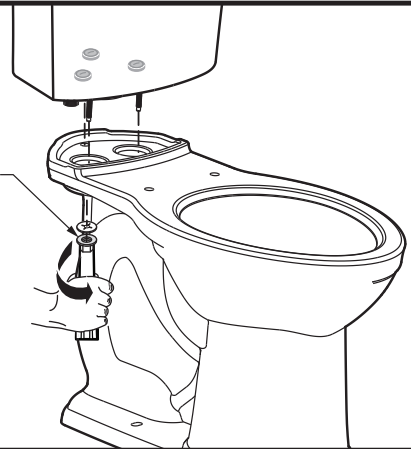
⚠ DO NOT REMOVE FACTORY INSTALLED NUTS



7

Secure tank to bowl with provided nuts using attachment handle supplied. Tighten nuts alternately until the tank contacts the front and back of the bowl achieving complete contact.

ATTACHMENT HANDLE WITH NUT



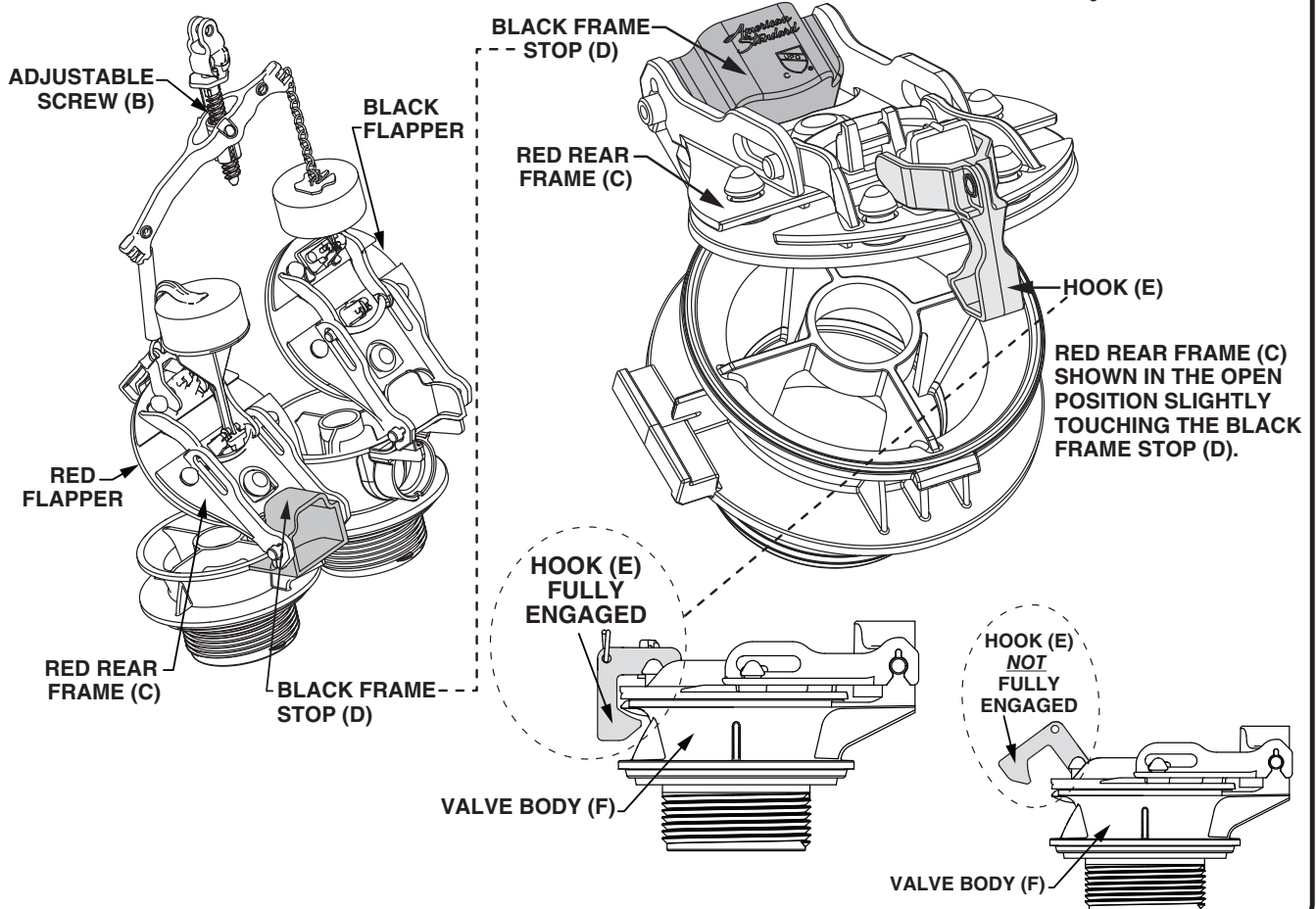
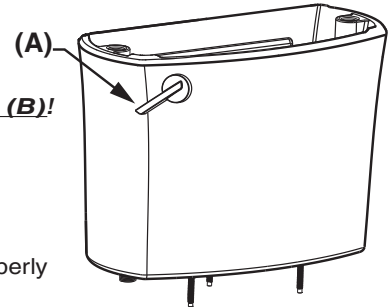
NOTES:

- a) To ease installation, push down on the top of the tank while tightening handles.
- b) Tighten all three bolts adequately.

8

VERIFY ADJUSTABLE SCREW SETUP

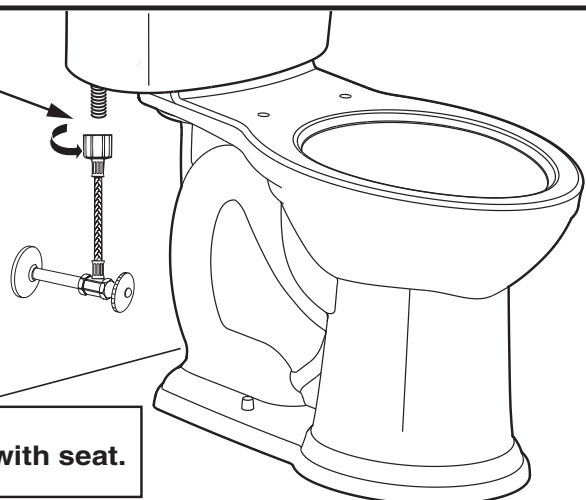
1. Depress handle all the way (A).
2. With handle depressed, adjust screw (B) on the teeter bar so red rear frame (C) *slightly touches* the black frame stop (D). **▲ DO NOT OVERTIGHTEN SCREW (B)!**
- NOTE:** Turning the adjustable screw counterclockwise will loosen and move red rear frame (C) **AWAY** from black frame stop (D). Clockwise will tighten and move red rear frame (C) **CLOSER** to black frame stop (D).
3. Return handle (A) to rest position.
4. Make sure hook (E) is fully engaged under tab on valve body (F). If not engaged properly repeat Step 2.



9

A
Connect water supply line. (Sold separately)
Hand tighten nut.

B
Turn on water supply. Allow tank to fill.



* For seat installation, see instructions included with seat.

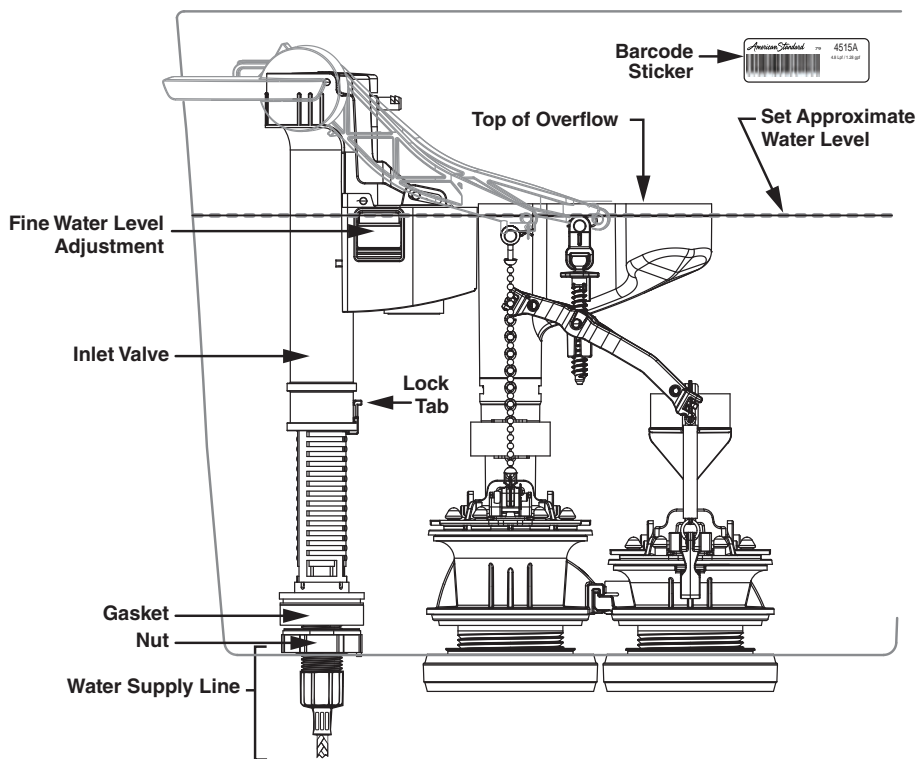


WARNING: Do not use plumber's putty, pipe dope, or any other sealant on the water supply connection to this tank. If the connection leaks after hand tightening, replace the supply line. If the connection continues to leak with the new supply line, replace the inlet valve. *Warranty is void if any type of sealant is used on the water supply connection.*



WARNING: Overtightening of water supply line nuts could result in breakage and potential flooding. If the connection leaks after hand tightening, replace the supply line.

10



A Allow the tank to fill with water and check that the water level matches the indicated dimension. Reference the barcode sticker inside the tank on the back wall.
If the water level needs to be raised, move the fine level adjustment up one or two clicks.
If the water level needs to be lower, please refer to the Troubleshooting Guide on page 12.

B Prime the system by flushing the product 5 times before use to achieve optimal performance.

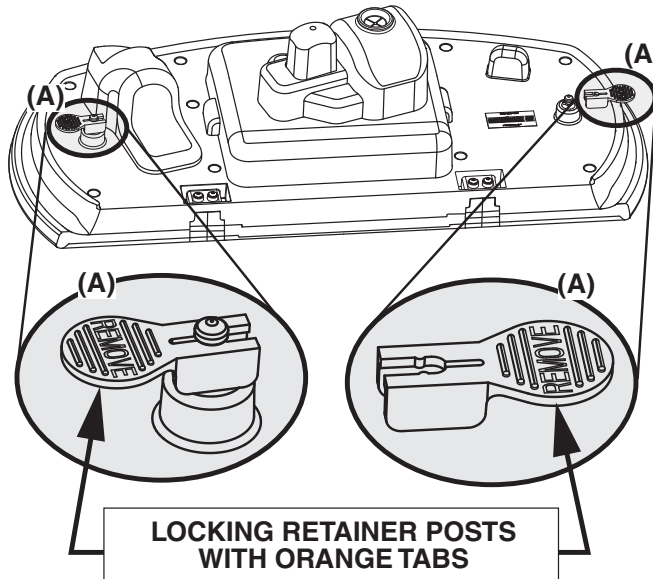
C PROPER FLUSHING METHOD: Be sure to fully depress the handle down with each flush. Do not hold the handle down for extended periods of time as this could allow air to enter the system which will slightly degrade performance for a few flushes.

11

REMOVE ORANGE TABS FROM LOCKING RETAINER POSTS

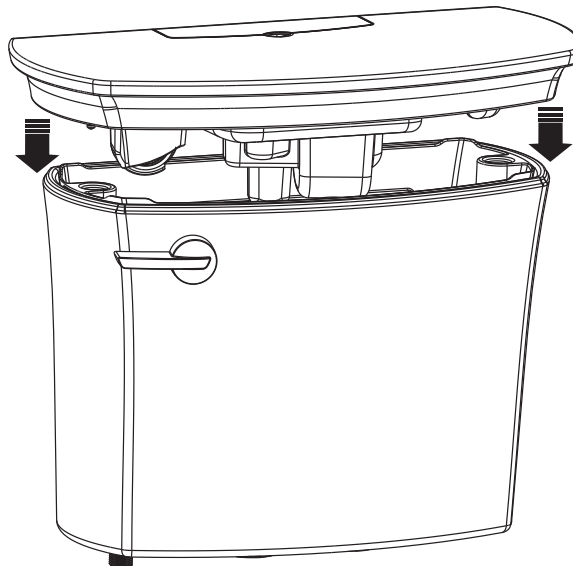
Remove Tank Top from packaging and turn it upside down. Place on a clean countertop.

On the underside of the **Tank Top**, locate the **Orange Tabs (A)** shown in diagram below. To remove **Orange Tabs (A)** carefully slide off of Locking Retainer Posts.



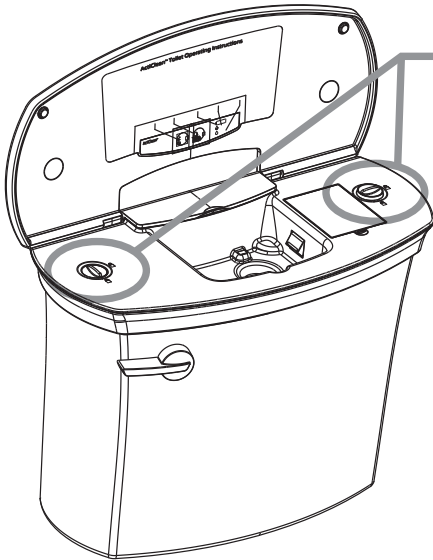
12

Turn **Tank Top** right side up and place onto the tank. Make sure all excess packaging is removed prior to doing so.



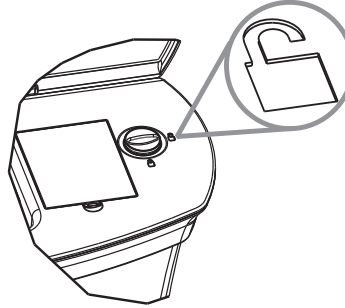
13

LOCK AND UNLOCK POSITIONS

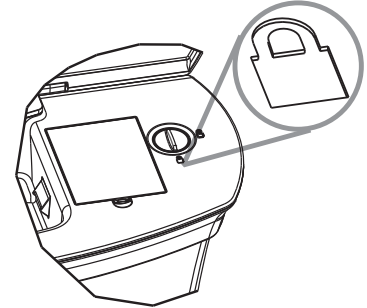


- A. Open the lid.
- B. The tank **Locking Knobs** should be set to the **UNLOCK** position to properly seat the **Tank Top** in place. If they aren't, turn them to **UNLOCK** position first.
- C. Then to lock the **Tank Top** in place, turn the **Locking Knobs** to the **Lock** position. This will ensure proper operation of the ActiClean cleaning cycles.

UNLOCK



LOCK

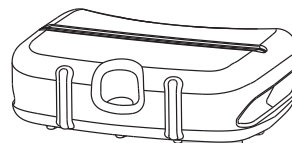
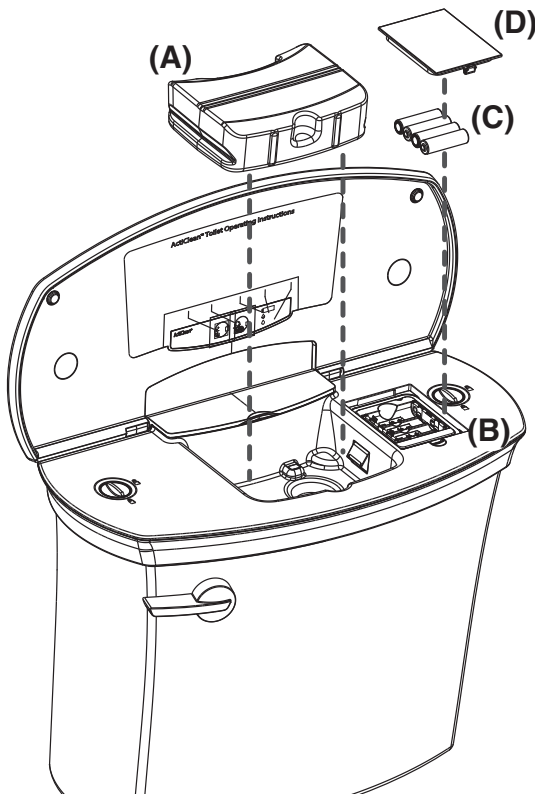


- ⚠ If access to the internal tank components is needed, first turn the **Locking Knobs** to the **UNLOCK** position. This will allow you to remove the **Tank Top** and work on the tank trim if needed.
- ⚠ **REMEMBER:** Before operating the ActiClean system, you must always be sure to turn the **Locking Knobs** to the **LOCK** position.

14

INSTALLING TOILET CLEANING CARTRIDGE

- ⚠ **BEFORE INSTALLING THE CLEANING CARTRIDGE, REMOVE CHILD RESISTANT CAP LOCATED ON THE BOTTOM OF THE CLEANING CARTRIDGE**



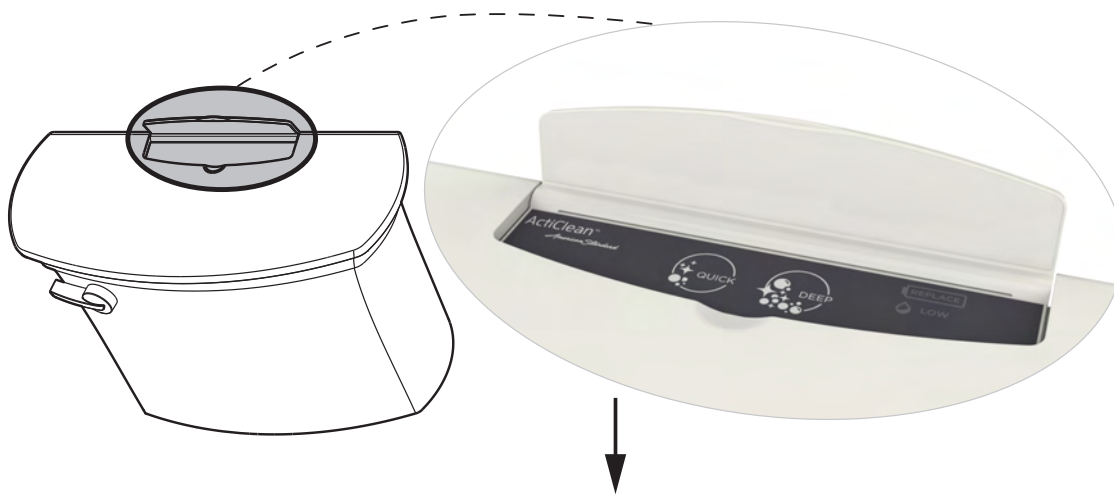
Toilet Cleaning Cartridge (A)
Child Resistant Cap

- 1 - Remove the child resistant safety cap from the cartridge
- 2 - Insert the cartridge straight down until it snaps into place
- 3 - Press and hold either the QUICK or DEEP icon for three seconds until the LOW level indicator light goes off
- 4 - Repeat steps 1 through 4 every time a new cartridge is inserted to ensure proper operation

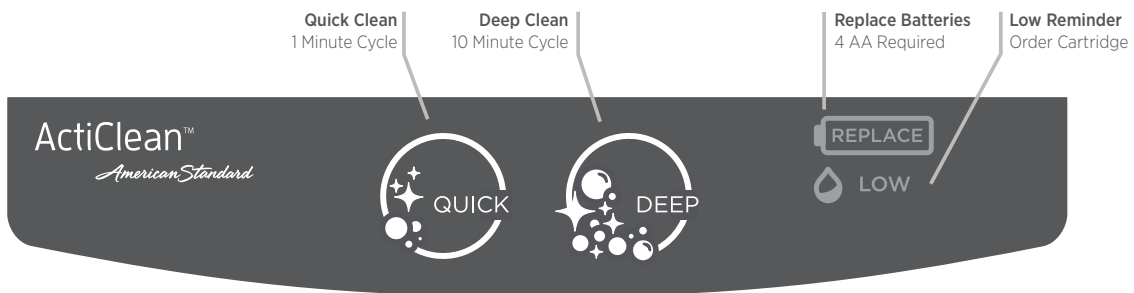
INSTALLING BATTERIES

Push tab on the Battery Compartment Cover (D) to open the Battery Compartment (B).

Place 4 AA Alkaline batteries (C) inside the Battery Compartment then secure the cover to the Battery Compartment (B).



Control Panel Operation and Indicators



Cleaning Cycles



Quick Clean

Quick Clean is best used for regular upkeep, in between deep cleanings. A Quick Clean cycle will clean the inside of the toilet bowl in just one minute. We recommend using the quick clean cycle 1 time per week.



Deep Clean

Deep Clean is used for more thorough cleanings. It releases more cleaning fluid and the cycle is longer compared to a Quick Clean cycle. A Deep Clean cycle completely and thoroughly cleans the inside of the toilet bowl in 10 minutes. The result is a fresh scented, sparkling clean bowl! We recommend a deep cleaning 1 time per week.

ActiClean™ System Instructions

To Activate Cleaning Cycle:

- Check bowl for debris and if necessary flush the toilet
- After flushing wait 30 seconds
- Open the control panel door to power the ActiClean™ system
- Select from either QUICK or DEEP cleaning cycles

Note if the selection is not made within 30 seconds the system will go to sleep

To Cancel a Cleaning Cycle:

- Push the QUICK or DEEP cleaning cycle icon a second time
- The cycle will stop and rinse the bowl after 30 seconds

Child Lock:

- ON/OFF: Press and hold both QUICK and DEEP buttons for 3 seconds

To Install New Toilet Cleaning Cartridge:

- 1 - Remove the child resistant safety cap from the cartridge
- 2 - Insert the cartridge straight down until it snaps into place
- 3 - Press and hold either the QUICK or DEEP icon for three seconds until the LOW level indicator light goes off
- 4 - Repeat steps 1 through 4 every time a new cartridge is inserted to ensure proper operation

To Remove Empty Toilet Cleaning Cartridge:

- The cartridge will need to be replaced shortly after the "LOW" icon is displayed
- Pull upward firmly to remove the empty cartridge

We encourage that you please recycle empty cartridges

How Does the ActiClean System Work?



1. **Select the cleaning cycle** that best suits your needs.

2. **Cleaning Solution is Released** - The cleaner travels through the designated channel in the tank and is mixed with water before entering the bowl.



3. **VorMax Jetted Force** - This powerful VorMax Jetted force allows the cleaner to scour the full circumference of the bowl, cleaning the entire surface from top to bottom, while exuding a fresh scent.



4. **Cleaner Saturates Bowl** - The cleaner will soak in the bowl for a set amount of time.

- Quick Clean is a 1 minute cycle
- Deep Clean is a 10 minute cycle

5. **Rinse Cycle** - Once the soaking time is complete, the system will automatically switch to the rinse cycle which will siphon the cleaning agent and rinse the bowl.



The result is a fresh scented, sparkling clean bowl!

Frequently Asked Questions:

Can I refill the toilet cleaning cartridge with other cleaning liquids?

No. The ActiClean™ Toilet Cleaning Cartridge was specially formulated to work with the ActiClean system. **Do not** refill the cartridge with any other cleaners. Refilling the cartridge will void the warranty. Some chemicals could damage the parts inside of the tank, potentially causing a leak and the system to fail.

Can I use the cleaner to clean my other toilets?

The cartridge of cleaner is designed to work with the ActiClean system. It will not work on a toilet that does not have the ActiClean technology built into it.

Can I use rechargeable batteries with the ActiClean system?

No. For optimal performance only use Alkaline batteries. No other batteries, including Lithium and any rechargeable battery will work with the ActiClean system.

How often should I change the batteries?

Change the batteries when the word **REPLACE** is illuminated. The system is **ONLY** compatible with Alkaline batteries.

I'd like to change the handle to a finish that matches the fittings in my bathroom, will that affect performance?

Do **NOT** change the handle with anything other than an ActiClean handle as the performance will be affected. The ActiClean system operates on a dual-injection flush valve system which is unlike anything on the market. Therefore if you change the handle to anything that wasn't made to operate with the ActiClean VorMax flushing system the toilet will not function properly.

What do I do if my ActiClean system isn't operating the way it should or I am having issues with it?

Please review the ActiClean Troubleshooting section of the manual on page 12. If problem persists please contact Customer Care.

How do I know when the cleaning cycle is finished?

The button will blink while a clean cycle is in operation. It will turn off once the cycle is complete. Do not use the toilet while a cleaning cycle is in operation.

How do I turn the Child Lock ON or OFF?

To turn the child lock on or off press and hold both the QUICK and DEEP buttons for 3 seconds.

What is the difference between DEEP and QUICK cleaning cycles?

QUICK Clean dispenses 0.85oz (25ml) of cleaner.

Quick Clean is best used for regular upkeep, in between DEEP cleanings. A Quick Clean cycle will clean the inside of the toilet bowl in just one minute.

DEEP Clean dispenses 1.67oz (50ml) of cleaner.

Deep Clean is used for more thorough cleanings and releases more cleaning fluid compared to the QUICK Clean cycle. A DEEP Clean cycle completely and thoroughly cleans the inside of the toilet bowl in 10 minutes. The result is a fresh scented, sparkling clean bowl!

Also see "**Fixture Troubleshooting Guide**" on page 12 and "**ActiClean™ Unit Troubleshooting Guide**" on page 11.

ActiClean™ Unit Troubleshooting Guide

PROBLEM	POSSIBLE CAUSE	CORRECTIVE ACTION
“Low” fluid light is illuminated even when cartridge is still full	“Low” fluid light indicator has not been reset	Follow the ActiClean™ System Instructions “To Install New Toilet Cleaning Cartridge” on page 9.
Tank top lifts away from china tank when a cleaning cycle has been activated	Tank top has not been secured with the locking knobs	Ensure tank top is securely fastened to china tank with by turning locking knobs to the "Locked" position.
The bowl does not fill up with water when a cleaning cycle has been completed	Tank top has not been secured with the locking knobs	Ensure tank top is securely fastened to china tank with by turning locking knobs to the "Locked" position.
No lights are illuminated when device is activated for either quick or deep clean cycle	Batteries are defective or depleted	Remove batteries and reinstall; ensuring batteries are installed in the correct orientation (follow the pattern in the battery receptacle). If batteries are installed correctly and the device is still not functioning properly, please install four new AA alkaline batteries.
The cleaning system is not working properly or works intermittently	Batteries are defective or depleted	Remove batteries and reinstall; ensuring batteries are installed in the correct orientation (follow the pattern in the battery receptacle). If batteries are installed correctly and the device is still not functioning properly, please install four new AA alkaline batteries.

Toilet Troubleshooting Guide

See Step 8 and 10 For Diagram

Problem	Possible Cause	Corrective Action
Does not flush	<ul style="list-style-type: none"> a. Water supply valve closed. b. Supply line blocked. c. Trip lever not opening red jet flapper to black frame stop. d. Sand or debris lodged in water control. 	<ul style="list-style-type: none"> a. Turn water supply on. Water should fill tank to level indicated in Step 10. b. Shut off water supply, disconnect supply line and inspect all gaskets and washers. Reassemble. c. Adjust settings according to adjustable screw setup in Step 8. d. Shut off water supply and disconnect supply line. Use pliers to pull filter and rinse clean. Re-assemble and turn supply line on.
Poor or sluggish flush	<ul style="list-style-type: none"> a. Bowl water level too low. b. Supply valve partly closed. c. Partially clogged trapway and/or drain pipe and/or vent. d. Supply pressure too low. e. Tank not installed tightly on bowl. f. Product has air stuck in waterways. g. Incorrect tank water level. h. Trip lever not opening red jet flapper to black frame stop. i. Toilet lost prime. j. Trip lever not returning to original position. k. Loss of prime due to depressing on the trip lever too long. 	<ul style="list-style-type: none"> a. Check that refill tube is connected to water control and inserted into overflow tube without being kinked or damaged. b. Open supply valve fully. Be sure that proper supply tube size is used. c. Remove obstruction. Consult a plumber if necessary. d. Normal supply pressure must be at least 20 psi. e. Tighten bolts as shown in Step 7 to make sure the tank is touching the piers of the bowl in the front and back of the product. f. Re-prime bowl by flushing 5 times in a row allowing the tank to refill each time to achieve optimal performance. g. If water level is too low, follow instruction in Step 10. If water level is too high see "Toilet does not shut off" below. h. Adjust settings according to adjustable screw setup in Step 8. i. Reseat tank by shutting off water supply, disconnect supply line, remove tank mounting nuts, inspect all gaskets and reassemble. j. Adjust trip lever nut by loosening the nut a quarter turn at a time clockwise (reverse thread). k. Do not depress trip lever longer than 2 seconds for optimal performance. Depressing trip lever longer will negatively affect the toilet performance by causing a loss of prime. Re-prime bowl by flushing 5 times in a row allowing the tank to refill each time to achieve optimal performance.
Toilet leaks	<ul style="list-style-type: none"> a. Poor supply line connection. b. Poor bowl to tank/floor connection. c. Loose tank nuts. d. Loose flush valve mounting nuts. e. Tank to Bowl gaskets leak. f. Black rim flapper leaking. Inlet valve will periodically run and you will see water coming from port in to the bowl. g. Red jet flapper leaking. Inlet valve will periodically run. 	<ul style="list-style-type: none"> a. Review Step 9 of installation procedure. b. Review Step 1 through 7 of installation procedure. c. Tighten nuts, reinstall. d. Tighten nuts, reinstall. e. Replace gaskets. f. Clean debris from seal surface. Replace flapper seal as needed and adjust settings according to adjustable screw setup in Step 8. g. Clean debris from seal surface. Replace flapper seal as needed and adjust settings according to adjustable screw setup in Step 8.
Toilet does not shut off	<ul style="list-style-type: none"> a. Flapper seal leaking or deformed. b. Sand or debris lodged in water control. c. Flush valve chain too tight, holding flapper open. d. Water level is too high. 	<ul style="list-style-type: none"> a. Clean debris from seal surface. Replace flapper seal as needed. See web for more info. b. Shut off water supply and disconnect supply line. Use pliers to pull filter and rinse clean. Re-assemble and turn supply line on. c. Adjust settings according to adjustable screw setup in Step 8. d1. Lower fine water level adjustment window in Step 10. d2. Use step 10 to identify parts. Shut water supply off to toilet and disconnect water supply line from inlet valve. Disconnect refill tube. Remove all water from inside tank. Locate inlet valve, loosen and remove bottom nut, and remove inlet valve from tank. Observe inlet valve number setting directly under lock tab. Holding the base of the inlet valve, push lock tab down, rotate top of inlet valve 1/8 of a turn. Slide valve to next lower number setting. Rotate top of inlet valve back an 1/8 turn. Push lock tab up to secure setting. Verify gasket at base of inlet valve. Reinstall inlet valve into tank, keep inlet valve an 1/8" (3mm) away from back liner, and tighten bottom nut onto inlet valve and secure. Connect refill tube. Follow steps 9 and 10.
Toilet bowl rocks after installation	<ul style="list-style-type: none"> a. Wax ring not fully compressed. b. Floor not level. 	<ul style="list-style-type: none"> a. Retighten bowl-to-floor knobs. b. Use toilet shims and /or place a bead of caulk around the base of the toilet.

ActiClean™ Toilet Limited Warranty

This toilet comes with a limited lifetime warranty on chinaware, a limited 10 year warranty on all mechanical parts of the toilet, 1 year warranty on electronic parts and a limited 1 year warranty on the toilet seat if included with product. If inspection of this AS America, Inc. ("American Standard") plumbing product, inclusive of the chinaware and all mechanical parts, confirms that it is defective in materials or workmanship, American Standard will repair or, at its option, exchange the product for the same or a similar model.

This limited warranty applies only to the original purchaser and installation of the products. In the event of a limited warranty claim, proof of purchase will be required – **save sales receipts.**

For this warranty to become effective, the warranty registration process must be completed via the internet or telephone per the warranty registration instructions: <http://www.americanstandard-us.com/customerservice/warranty/warrantyRegistration.aspx>

This limited warranty does not apply to commercial installations. The warranty for commercial installations is 1 year on chinaware, 1 year on mechanical parts, 1 year warranty on electronic parts and a limited 1 year warranty on the toilet seat if included with product.

This warranty **does not apply** to local building code compliance. Since local building codes vary considerably, the purchaser of the product should check with a local building or plumbing contractor to ensure local code compliance before installation.

This warranty **will be void** if the product has been moved from its initial place of installation; if it has been subjected to faulty maintenance, abuse, misuse, accident or other damage; if it was not installed in accordance with American Standard's instructions; or if it has been modified in a manner inconsistent with the product as shipped by American Standard.

WARNING: This warranty **DOES NOT COVER** any damages caused by the use of in-tank cleaners. These products can seriously corrode the fittings in the tank. This damage can cause leakage and property damage. **American Standard will not be responsible or liable for any damage caused by the use of in-tank cleaners.**

American Standard's option to repair or exchange the product under this warranty does not cover any labor or other costs of removal or installation including any costs of any surrounding material such as tile or marble. **American Standard is not responsible for any other incidental or consequential damages attributed to a product defect or to the repair or exchange of a defective product, all of which are expressly excluded from this warranty.** (Some states or provinces do not allow the exclusion or limitation of implied warranties, so this exclusion may not apply to you.)

This warranty gives you specific rights. You may have other statutory rights that may vary from state to state or province to province, in which case this warranty does not affect such statutory rights.

In the United States:

American Standard Brands
P.O. Box 6820
Piscataway, New Jersey 08855
Attention: Director of Customer Care
For residents of the United States, warranty information may also be obtained by calling the following toll free number: (800) 442-1902
www.americanstandard.com

In Canada:

AS Canada, ULC
5900 Avebury Rd.
Mississauga, Ontario
Canada L5R 3M3
Toll Free: (800) 387-0369
www.americanstandard.ca

In Mexico:

American Standard B&K Mexico
S. de R.L. de C.V.
Via Morelos #330
Col. Santa Clara
Ecatepec 55540 Edo. Mexico
Toll Free: 01-800-839-1200
www.americanstandard.com.mx

PLEASE COMPLETE AMERICAN STANDARD WARRANTY REGISTRATION PROCESS AND SAVE THIS WARRANTY INFORMATION

IMPORTANT: Registration of the toilet must be completed for this warranty to become effective.
Your registration will make it easier to contact you in the event of a product recall.*

INSTRUCTIONS:

Register your toilet at <http://www.americanstandard-us.com/customerservice/warranty/warrantyRegistration.aspx>
Please save your proof of purchase (sale receipt).

If you need assistance or do not have access to our website, please contact American Standard Customer Care at: (800) 442-1902.
An American Standard representative will assist in completing the warranty registration.

* In California, your warranty rights remain intact even if you do not complete the registration process.

THIS WARRANTY IS NOT TRANSFERABLE FROM ORIGINAL CONSUMER PURCHASER.