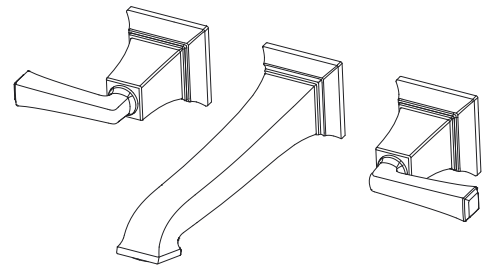


Town Square® S Wall Mount Faucet

Thank you for selecting American Standard... the benchmark of fine quality for over 140 years.

To ensure that your installation proceeds smoothly-please read these instructions carefully before you begin.

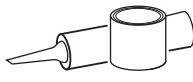


Certified to comply with ANSI A112.18.1M

RECOMMENDED TOOLS



Teflon Tape



Plumbers' Putty or Caulking



Flat Blade Screwdriver



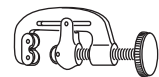
Pipe Wrench



Channel Locks

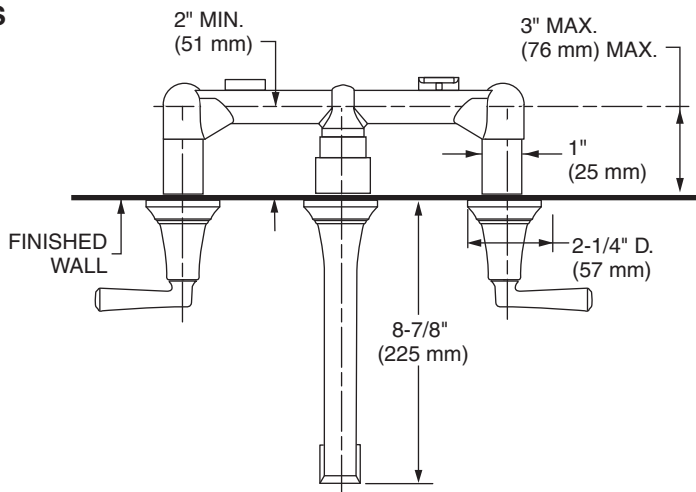


Adjustable Wrench



Tubing Cutter

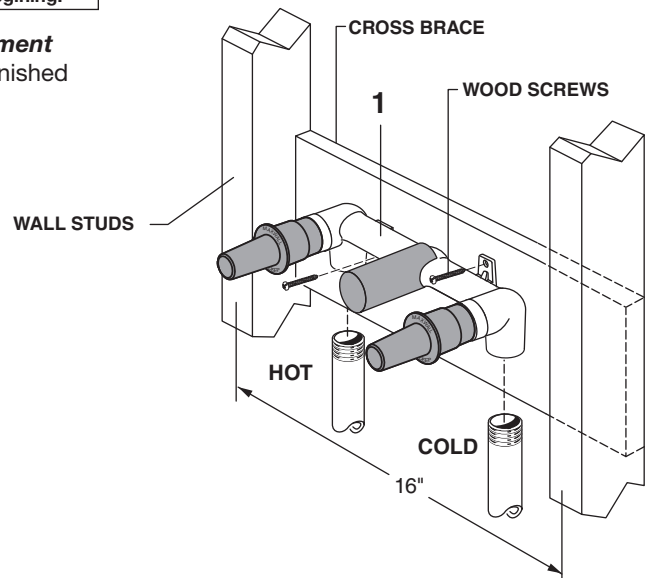
ROUGH-IN DIMENSIONS



1 INSTALL VALVE BODY

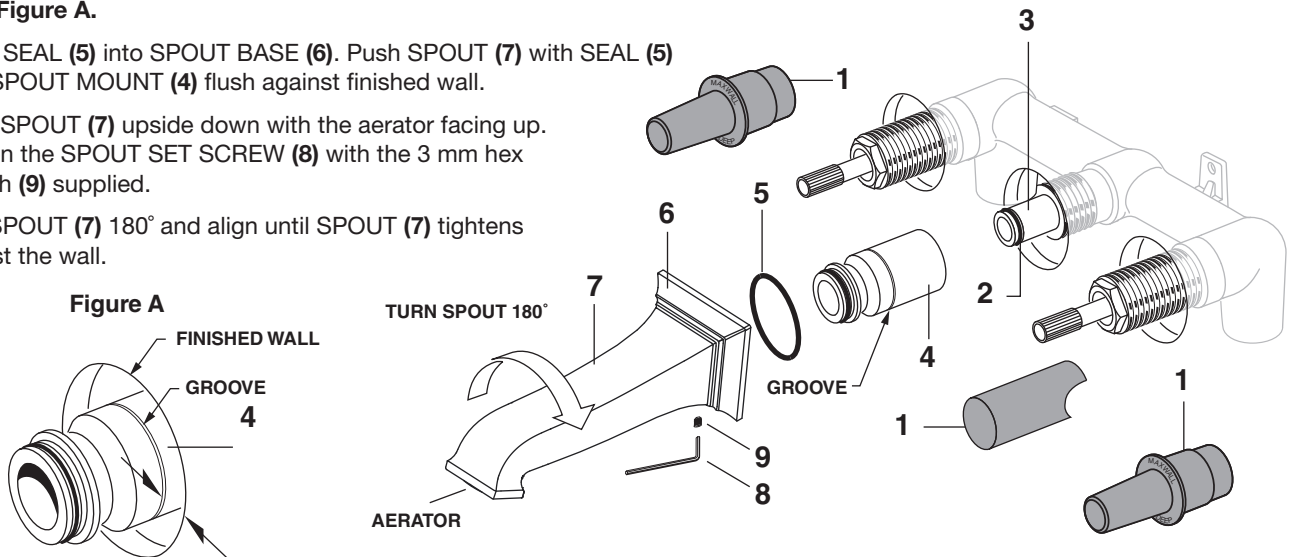
CAUTION Turn off hot and cold water supplies before beginning.

- Determine where the finished wall location will be. **This measurement is very important!** NOTE: The rough-in measurement from the finished wall is; 2" minimum and 3" maximum. This is a 1" tolerance. See rough-in illustration above.
- Secure FAUCET BODY (1) to cross brace of wall structure at required height using two wood screws.
- Connect HOT water supply to left VALVE inlet and COLD water supply to right VALVE inlet. Use pipe sealant or Teflon tape for all threaded connections. For sweat connections, do not makesweat connections directly to valve body. Damage to seals and and valve cartridge may occur.
- Turn valves to off position. Turn hot and cold supplies on and check fitting connections for leaks .
- Complete wall construction.



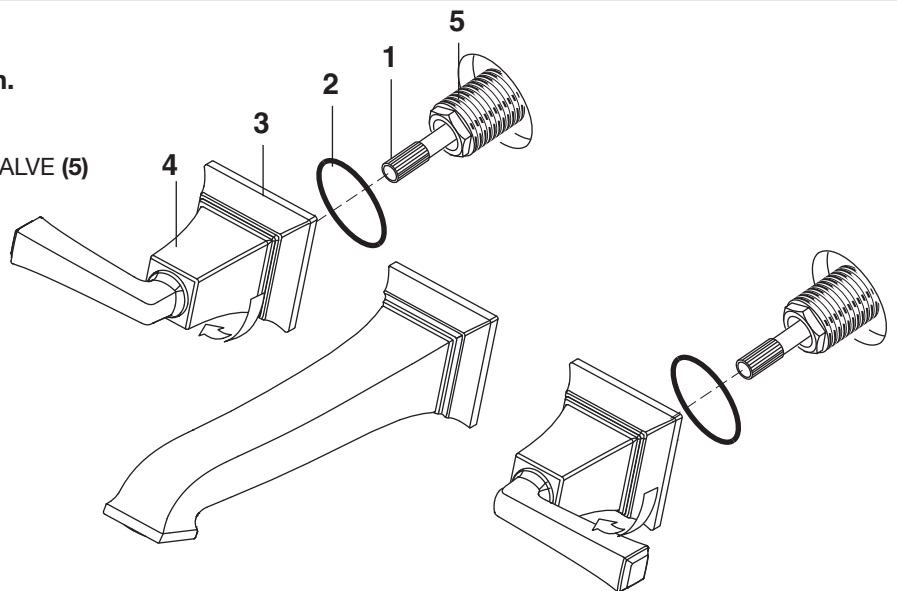
2 INSTALL DRAIN FROM BELOW FIXTURE

- Remove PLASTER GUARDS (1) from valve bodies and SPOUT NIPPLE (3).
- Inspect that SPOUT NIPPLE O-RING (2) is seated in groove of SPOUT NIPPLE (3).
- Thread SPOUT MOUNT (4) onto SPOUT NIPPLE (3). Align groove on SPOUT MOUNT (4) with face of finished wall. See **Figure A**.
- Install SEAL (5) into SPOUT BASE (6). Push SPOUT (7) with SEAL (5) onto SPOUT MOUNT (4) flush against finished wall.
- Insert SPOUT (7) upside down with the aerator facing up. Tighten the SPOUT SET SCREW (8) with the 3 mm hex wrench (9) supplied.
- Turn SPOUT (7) 180° and align until SPOUT (7) tightens against the wall.



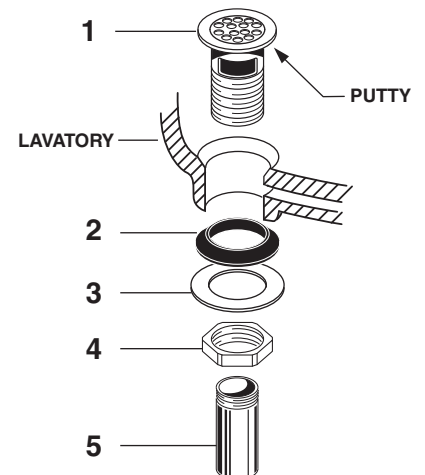
3 INSTALL HANDLES

- Turn VALVE STEMS (1) to off position.
- Place SEAL (2) into HANDLE BASE (3).
- Thread HANDLE ESCUTCHEON (4) onto VALVE (5) until snug against finished wall.



4 DRAIN INSTALLATION

- Apply a bead of PUTTY to underside of FLANGE on DRAIN BODY (1).
- Feed DRAIN BODY (1) down through lavatory.
- Assembly GASKET (2) WASHER (3) and LOCKNUT (4) onto DRAIN BODY (1). Tighten LOCKNUT (4) firmly.
- Assembly TAILPIECE (5) to DRAIN BODY (1).



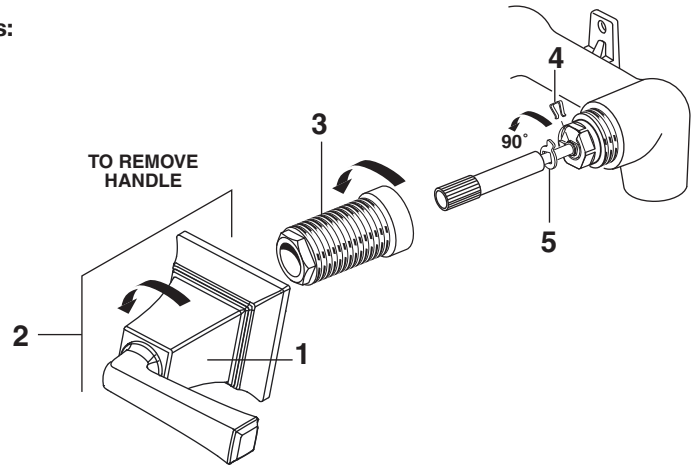
5 SERVICE

CAUTION Turn off hot and cold water supplies before beginning.

• To change direction of handle rotation, proceed as follows:

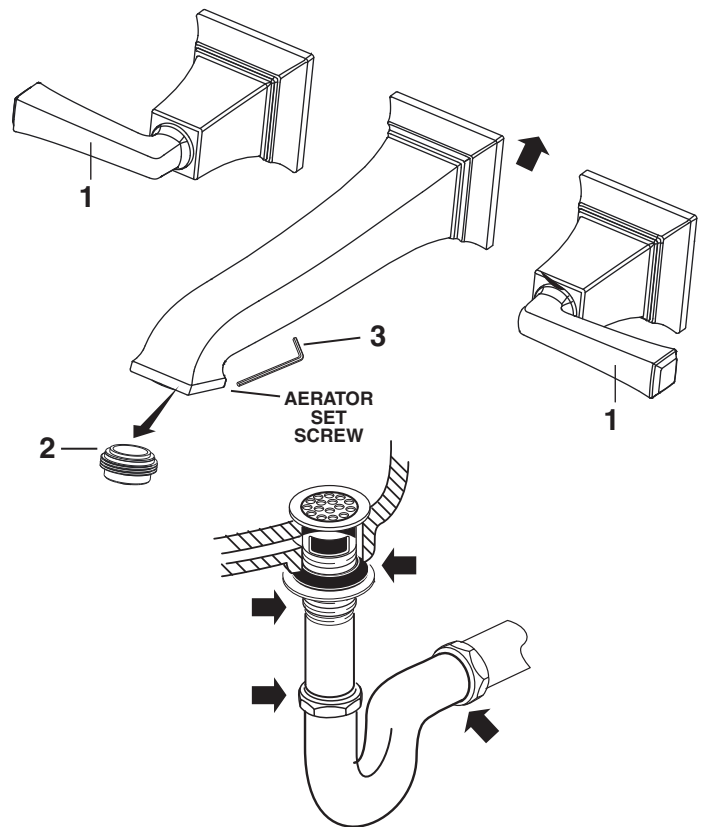
- Turn valve to OFF position.
- Thread counter-clock wise HANDLE BASE (1) to remove HANDLE ASSEMBLY (2) from VALVE HOUSING (3).
- Thread counter-clock wise VALVE HOUSING (3) to remove.
- Use a flat blade screw driver to remove SPRING CLIP (4).
- Lift STOP WASHER (5), turn 90° and replace.
- Replace SPRING CLIP (4).
- Reinstall all parts and HANDLE ASSEMBLY (2).

- If spout drips, operate handles several times from OFF to ON position. Do not force - handles turn only 90°.



6 TEST INSTALLED FITTING

- With HANDLES (1) in OFF position, turn on WATER SUPPLIES (2) and check all connections for leaks. ➔
- Remove AERATOR (2).
- Operate both HANDLES (1) to flush water lines thoroughly.
- Replace AERATOR (3).
- Check all drain connections for leaks.



7 CARE INSTRUCTIONS:

DO: SIMPLY RINSE THE PRODUCT CLEAN WITH CLEAR WATER. DRY WITH A SOFT COTTON FLANNEL CLOTH.

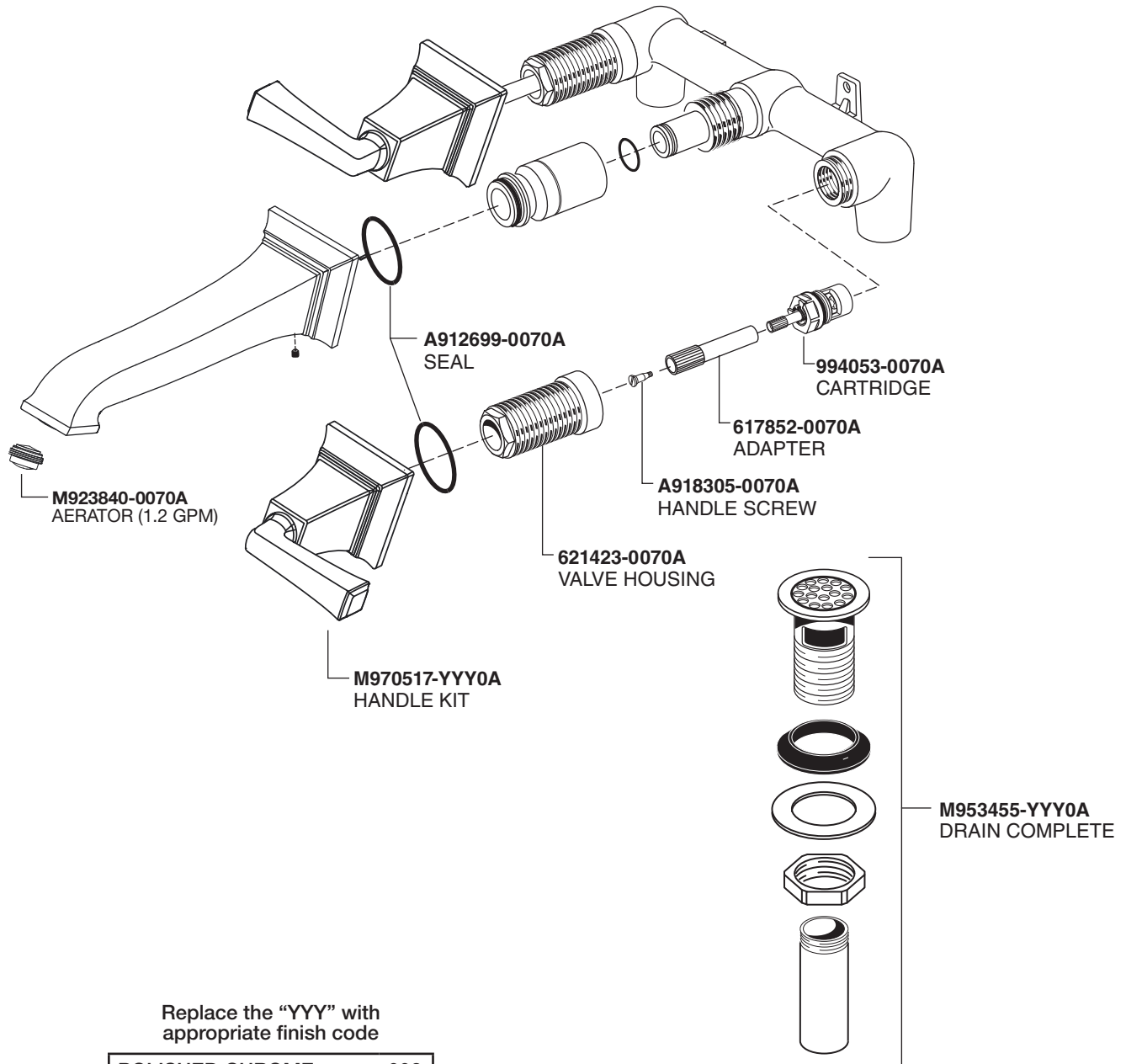
DO NOT: DO NOT CLEAN THE PRODUCT WITH SOAPS, ACID, POLISH, ABRASIVES, HARSH CLEANERS, OR A CLOTH WITH A COARSE SURFACE.

American Standard

Town Square® S Wall Mount Faucet

MODEL NUMBER

7455451



Replace the "YYY" with appropriate finish code

POLISHED CHROME	002
POLISHED NICKEL	013
LEGACY BRONZE	278
SATIN NICKEL	295

HOT LINE FOR HELP

For toll-free information and answers to your questions, call:
1 (800) 442-1902

Mon. - Fri. 8:00 a.m. to 8:00 p.m. EST

Saturday 10:00 a.m. to 4:00 p.m. EST

IN CANADA 1-800-387-0369

(TORONTO 1-905-306-1093)

Weekdays 8:00 a.m. to 7:00 p.m. EST

IN MEXICO 01-800-839-1200



PART OF LIXIL