

Studio® 60" x 32" Bathing Pool With Apron

- 2946102 BATHING POOL**
Right Drain
- 2946202 BATHING POOL**
Left Drain

Product Features:

- High-gloss acrylic with fiberglass reinforcement
- Integral apron with clean, minimalist design
- Integral three-sided, 1" tiling/water retention flange helps prevent water seepage
- For recess installation
- Pre-leveled tub bottom for easier installation
- Limited Lifetime warranty

Nominal Dimensions:

60" x 32" x 18"
(1524 x 813 x 457mm)

For use with:

- 2946.BW Studio Bath Wall Set (011 Arctic White Only)
- Bathing Pool can also be installed without Studio® wall set

Compliance Certifications - Meets or Exceeds the Following Specifications:

- CSA B45.5-11 / IAPMO Z124-2011
- cUPC

To Be Specified - Required

- Color:
 - 020 White
 - 011 Arctic White
- Bath Faucet*:
- Faucet Finish:
- Drain*:
- Drain Finish:

To Be Specified - Optional

- Studio Bath Walls: 2946BW

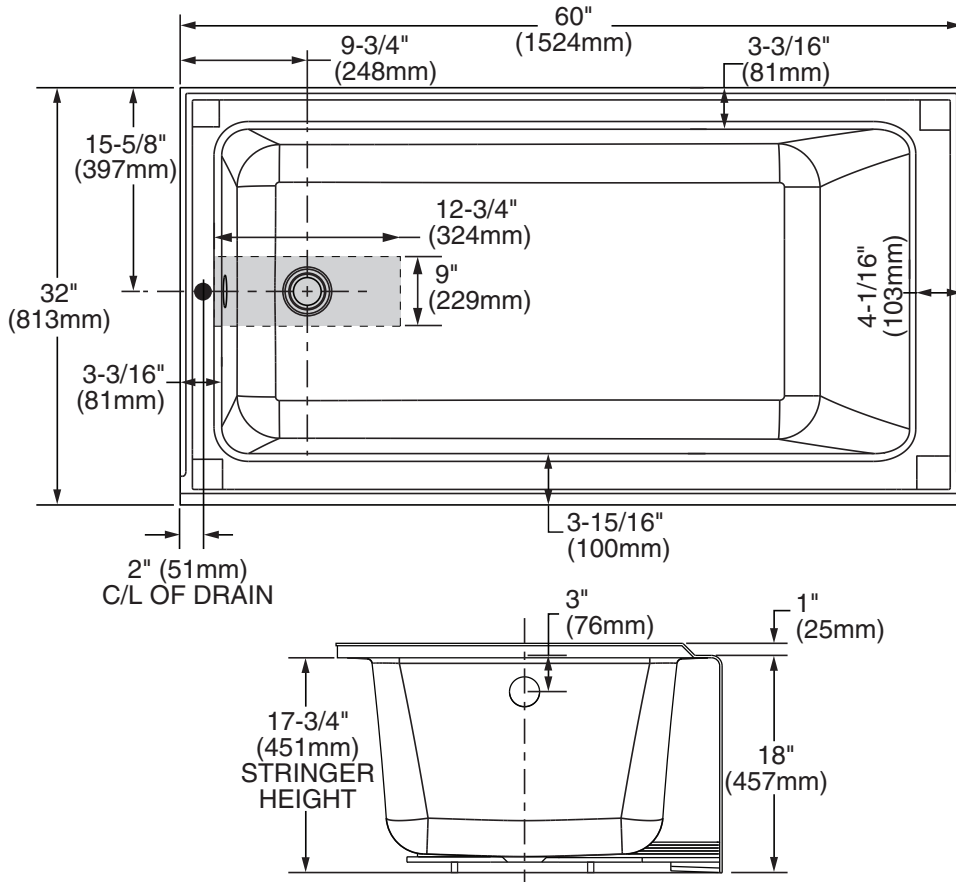
*See American Standard faucet and drain section of Product Selector

ADA MEETS THE AMERICANS WITH DISABILITIES ACT GUIDELINES AND ANSI A117.1 REQUIREMENTS FOR ACCESSIBLE AND USEABLE BUILDING FACILITIES-CHECK LOCAL CODES. INSTALL WITH SEAT AT HEAD END.



Studio Bathing Pool shown with 2946.BW Studio wall set

SEE REVERSE FOR ROUGHING-IN DIMENSIONS AND PRODUCT SPECIFICATIONS



GENERAL SPECIFICATIONS FOR 2946102/202 TUB	
INSTALLED SIZE	60 x 32 x 18 In. (1524 x 813 x 457mm)
WEIGHT	60 Lbs. (27 Kg)
WEIGHT w/WATER	493 Lbs. (224 Kg)
GAL. TO OVERFLOW	52 Gal. (197 L)
BATHING WELL AT SUMP	22 x 44.5 In. (559 x 1130mm)
BATHING WELL AT RIM	25 X 53 In. (635 x 1346mm)
WATER DEPTH TO OVERFLOW	12 In. (305mm)
FLOOR LOADING (PROJECTED AREA)	37 Lbs./Sq.Ft. (181 Kgs/Sq.m)
PTS.	27.5
CUBE (FT ³)	28.9

NOTES:

- BATH TO BE INSTALLED ABOVE FLOOR LINE AS A RECESS INSTALLATION.
- REFER TO INSTALLATION INSTRUCTIONS SUPPLIED WITH TUB FOR ADDITIONAL INFORMATION.
- FITTINGS NOT INCLUDED AND MUST BE ORDERED SEPARATELY.
- PROVIDE SUITABLE REINFORCEMENT FOR ALL SUPPORTS.
- MOUNTING HOLES DRILLED BY INSTALLER.

IMPORTANT: Dimensions of fixtures are nominal and may vary within the range of tolerances established by ANSI Standard CSA B45.5-11/IAPMO Z124-2011. These measurements are subject to change or cancellation. No responsibility is assumed for use of superseded or voided pages.