



**Washbrook® FloWise® 0.125 GPF
Ultra High Efficiency Urinal System**

- ❑ **6590.525** 0.125 gpf Exposed Top Spud Urinal and Selectronic® Urinal Flush Valve

URINAL:

- Vitreous china
- Ultra High Efficiency. Operates in the range of 0.125 gpf to 1.0 gpf (0.5 Lpf to 3.8 Lpf)
- Flushing rim
- Elongated 14" rim from finished wall
- Washout flush action
- Extended sides for privacy
- 3/4" inlet spud
- Outlet connection threaded 2" inside (NPTF)
- Strainer included
- Meets ASME flush requirements at 0.125 to 1.0 gpf
- Model 6590.001 top spud

SELECTRONIC® FLUSH VALVE:

- Factory-Installed CR-P2 Lithium Battery
- Pressure Compensation feature ensures accurate flush volume regardless of inlet water pressure
- Self-Cleaning Piston with integral wiper spring significantly reduces clogging and maintenance
- Selectronic® Proximity System with universal sensor provides hygienic, "hands free" operation
- State-of-the-Art Electronics prevent ghost flushing
- Dezincification Resistant semi-red brass alloy
- Fully Mechanical Manual Override Button can flush the valve without power
- Fail-Safe: Valve automatically closes upon loss of power or water pressure and does not need to be reset
- Adjustable Sanitary Flush cleans the fixture & maintains the trap seal.
- Stadium Feature: Valve automatically switches to water savings mode during periods of heavy usage
- Chemical Resistant EPDM Seals for extended life
- Adjustable Tailpiece for rough-in flexibility
- Can be installed left or right handed
- Model 6063.013

Includes:

- 2 Wall hangers
- 3/4" I.P.S. angle stop with back-flow protection and vandal-resistant cap
- Sweat solder kit including cover tube and wall flange
- 3/4" High back pressure vacuum breaker, spud coupling and flange



SEE REVERSE FOR ROUGHING-IN DIMENSIONS

High-Efficiency Urinal Systems:

- 87.5% water savings when compared to a 1.0 gpf urinal system

Battery Life:

- 4 years @ 4,000 flushes per month

Operating Pressure:

20 psi (flowing) - 80 psi (static)

Flow Requirement:

10 gpm (37.9 L/min.)

Nominal Fixture Dimensions:

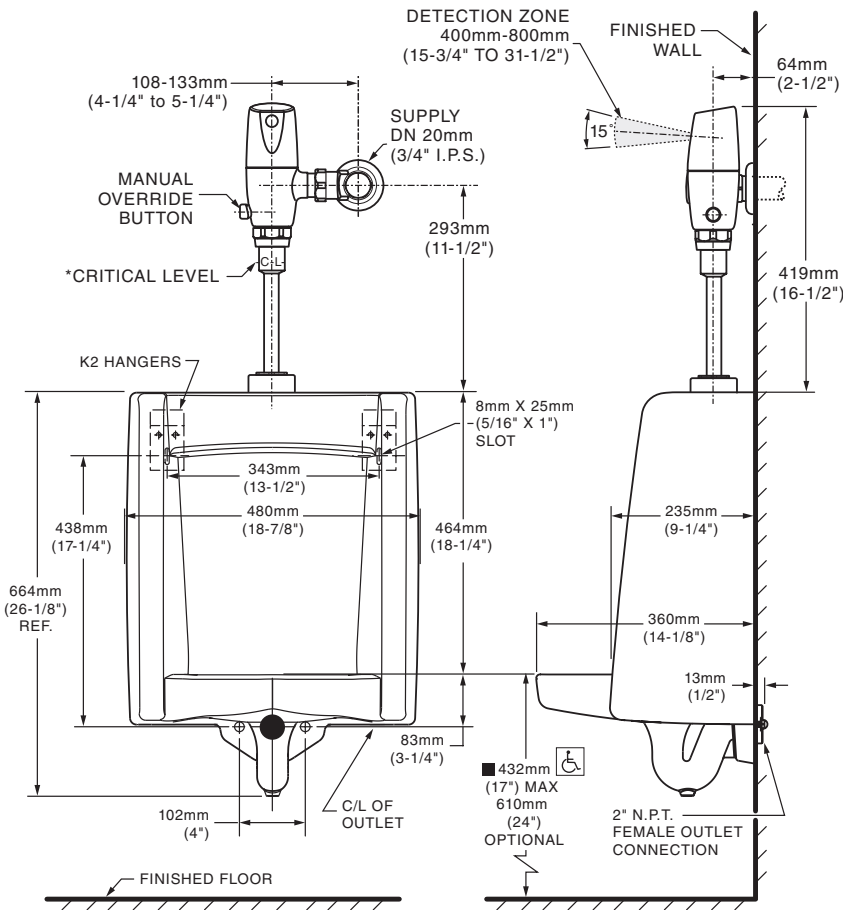
360 x 480 x 664mm (14-1/8" x 18-7/8" x 26-1/8")



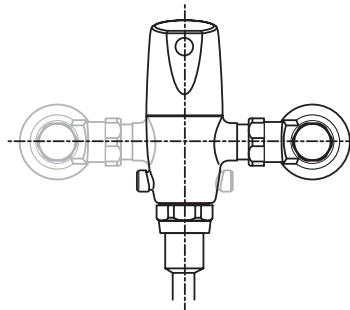
5-YEAR LIMITED WARRANTY on FIXTURE and FLUSH VALVE



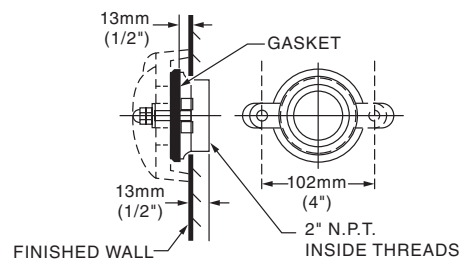
EPA WATERSENSE CERTIFIED



*Note: The Critical Line (-C-L-) on Vacuum Breaker must typically be a minimum of 6" (152mm) above fixture. Consult Codes for details.



VALVE LEFT or RIGHT HAND INSTALLATION



DETAIL OF OUTLET CONNECTION

Fixture Compliance Certifications - Meets or Exceeds the Following Specifications:

- ASME A112.19.2-2008/CSA B45.1-08 for Vitreous China Fixtures

Valve Listings:

- ASSE 1037
- ANSI/ASME A112.19.2
- ADA Compliant



MEETS THE AMERICANS WITH DISABILITIES ACT GUIDELINES AND ANSI A117.1 ACCESSIBLE AND USABLE BUILDINGS AND FACILITIES - CHECK LOCAL CODES.

- When installed so top of rim is 432mm (17") MAXIMUM from finished floor.

NOTES:

PROVIDE SUITABLE REINFORCEMENT FOR ALL WALL SUPPORTS.

IMPORTANT: Dimensions of fixtures are nominal and may vary within the range of tolerances established by ANSI Standard A112.19.2. These measurements are subject to change or cancellation. No responsibility is assumed for use of superseded or voided pages.